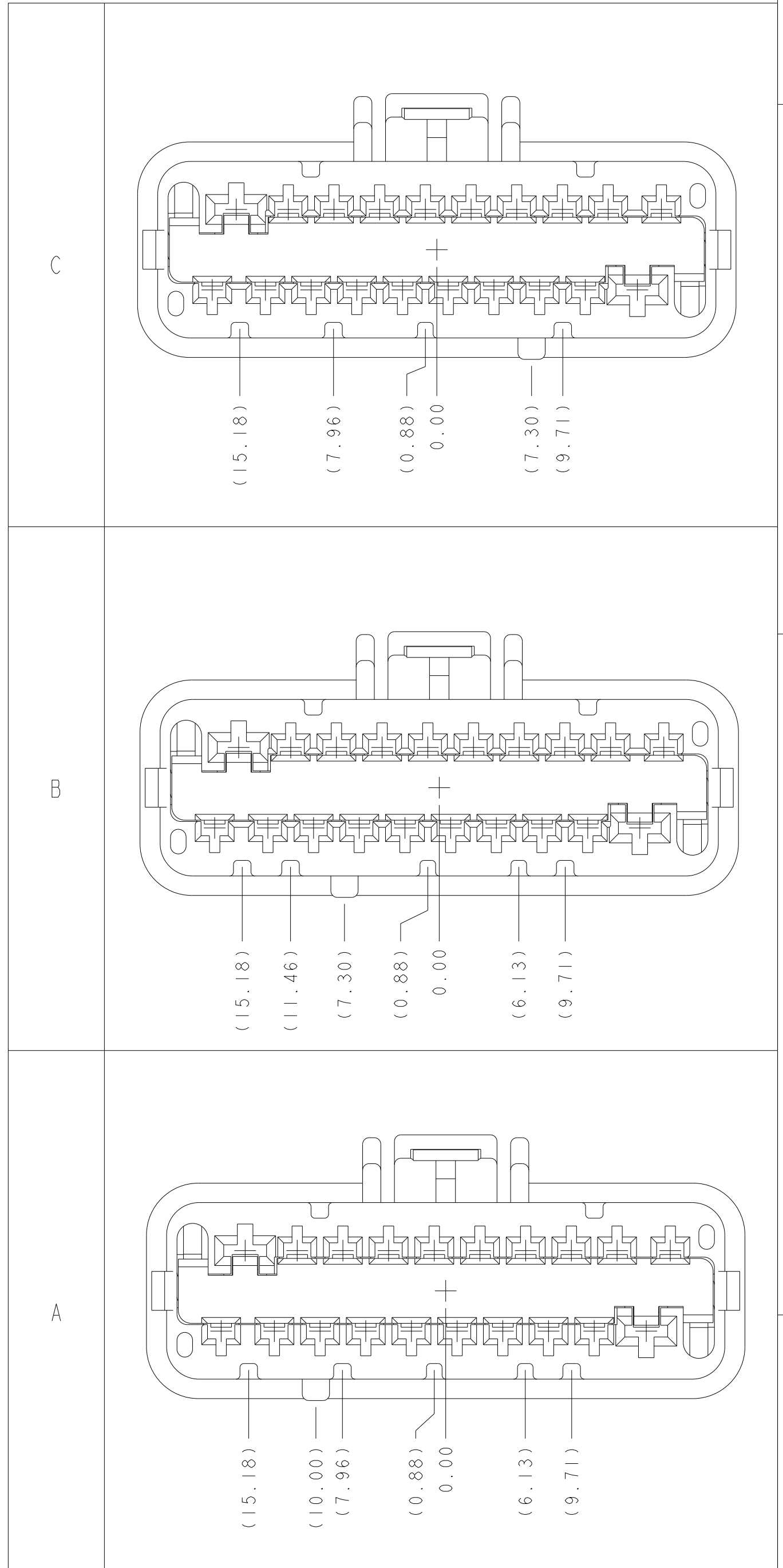
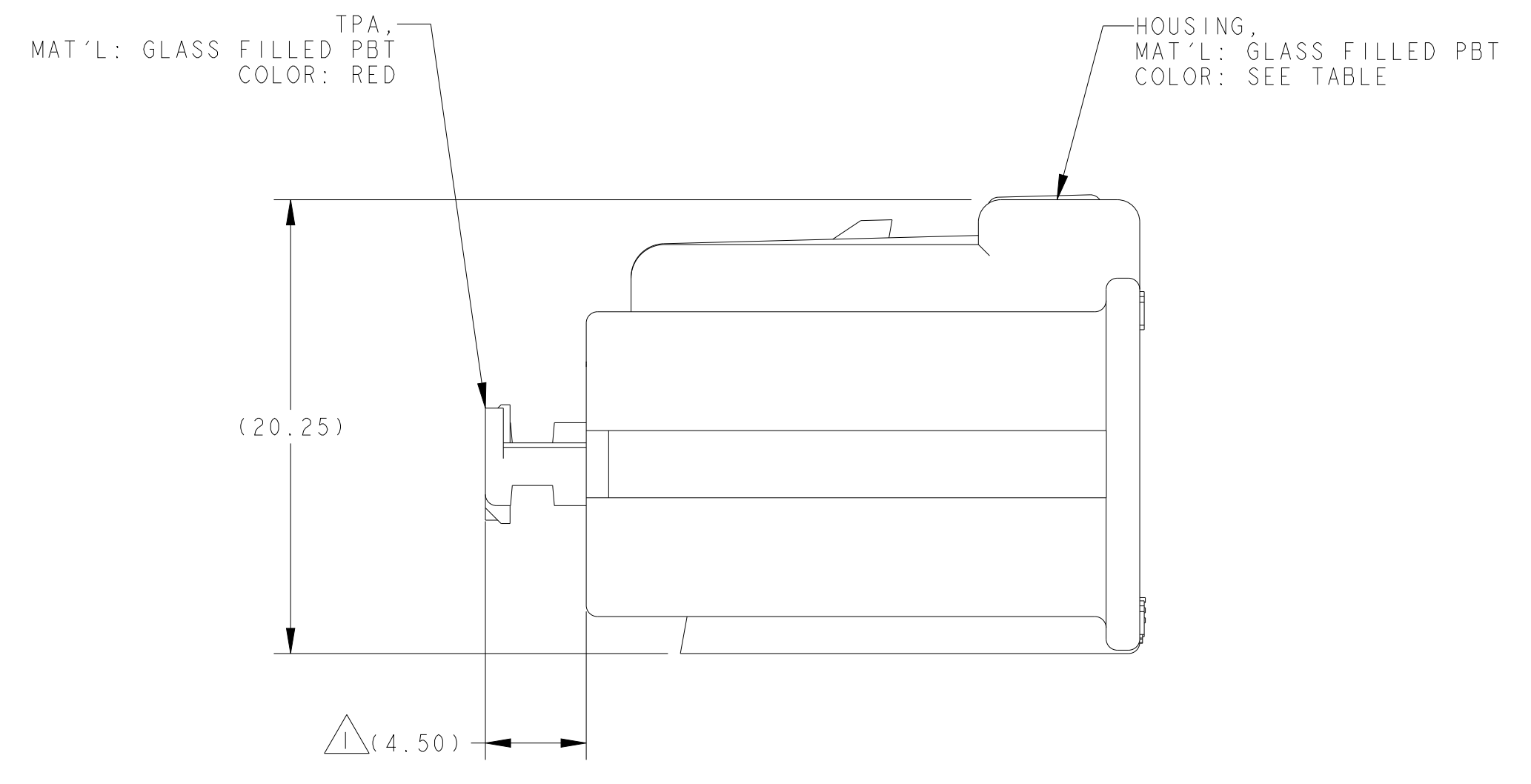
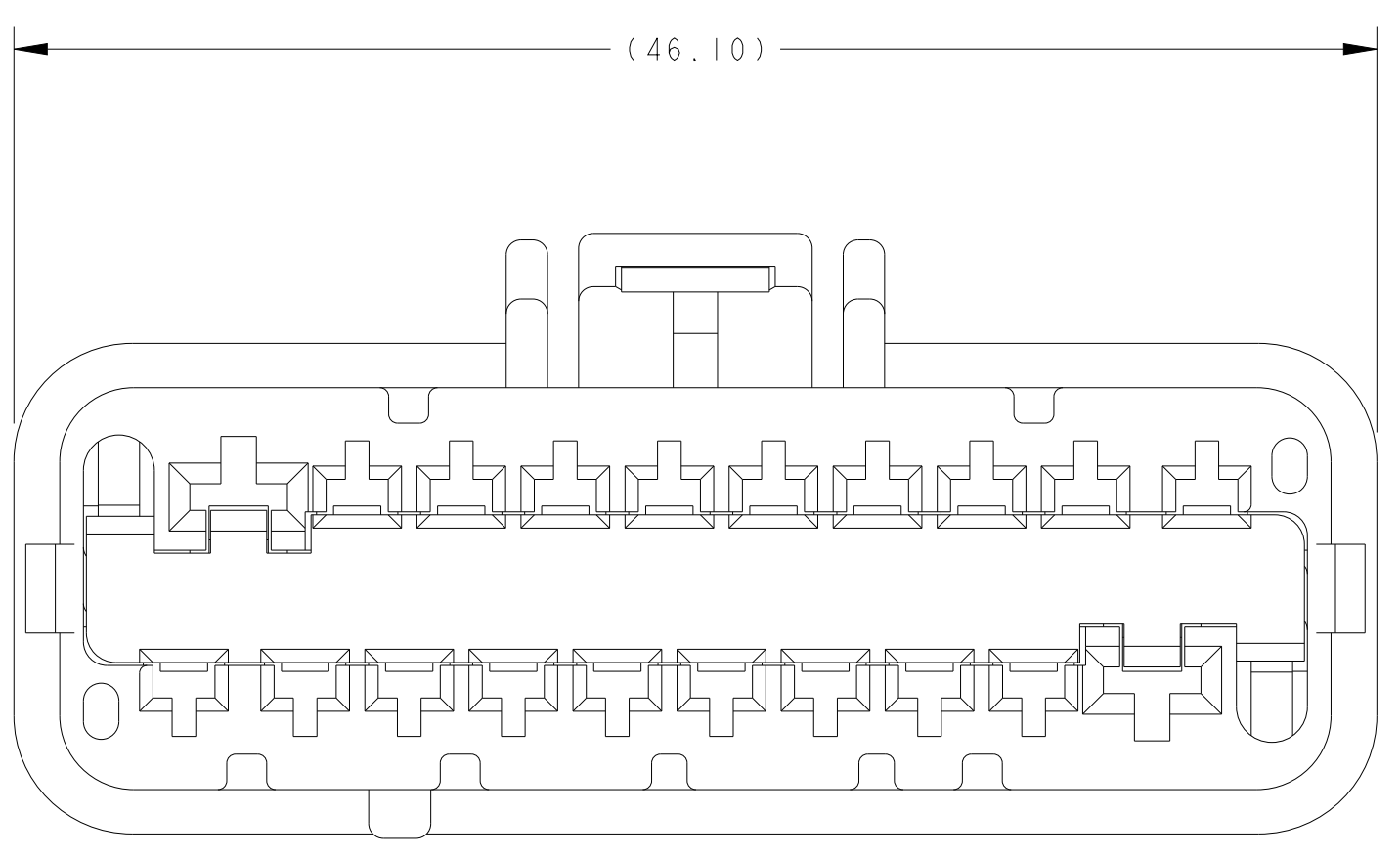
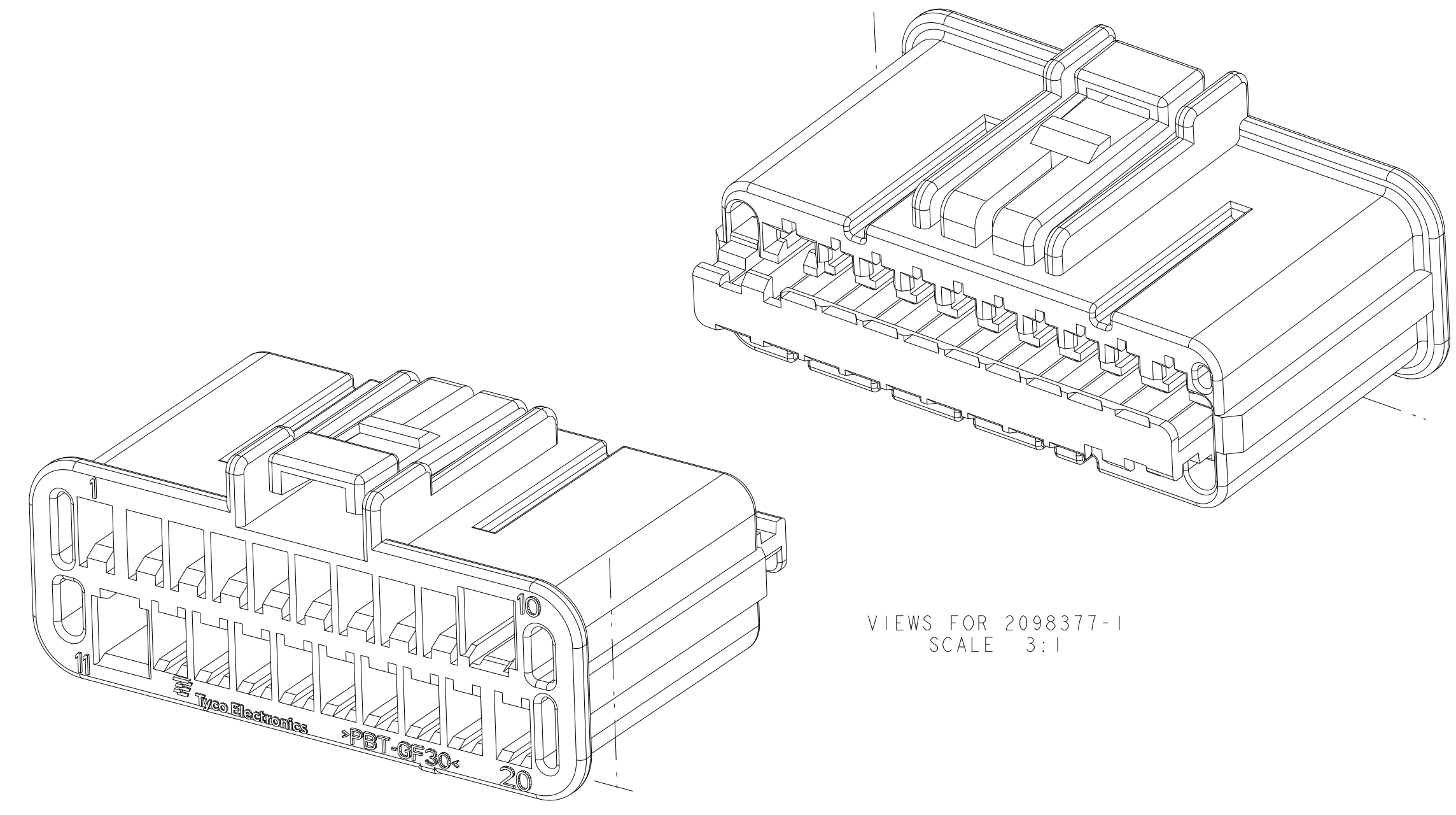
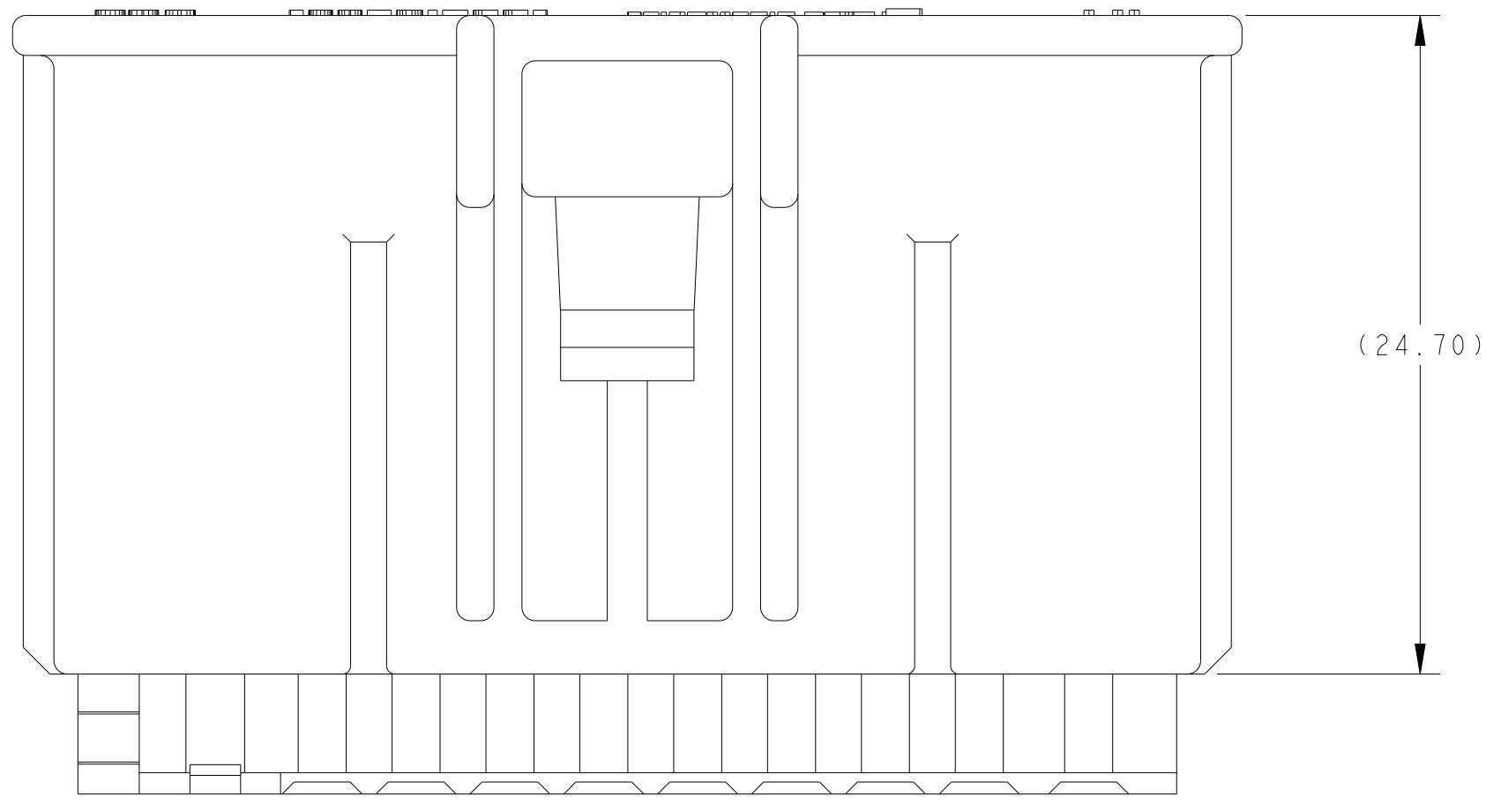


REVISIONS					
P	LTN	DESCRIPTION	DATE	DWN	APVD
2		REVISED PER ECO-10-003257	16FEB2010	JRS	BSB
A		ECR-10-025922	20DEC2010	HM	BB
A1		ECR-14-007751	30MAY2014	VP	ML
A2		ECN-24-273814	03JUL2024	SR	AL



- △ TPA SHIPPED IN STAGED POSITION.
- 2. THIS PLUG CONNECTOR MATES WITH CAP CONNECTOR, TYCO ELECTRONICS DRAWING NUMBER 2098380 AND IS INTENDED FOR CLASS 2 (105°C MAX) APPLICATIONS
- 3. SEE INSTRUCTION SHEET 408-10433.

CODE	ARRANGEMENTS	KEYING

PART NUMBER	CODE	HOUSING COLOR
2098377-4	A	YELLOW
2098377-3	C	WHITE
2098377-2	B	GRAY
2098377-1	A	BLACK

THIS DRAWING IS A CONTROLLED DOCUMENT.

DIMENSIONS: mm

TOLERANCES UNLESS OTHERWISE SPECIFIED:

0 PLC	±
1 PLC	±
2 PLC	±
3 PLC	±
4 PLC	±
ANGLES	±
FINISH	±

MATERIAL: SEE CALLOUT

APVD: J. R. SHUEY, 27AUG2009

CHK: B. S. BUCHTER, 27AUG2009

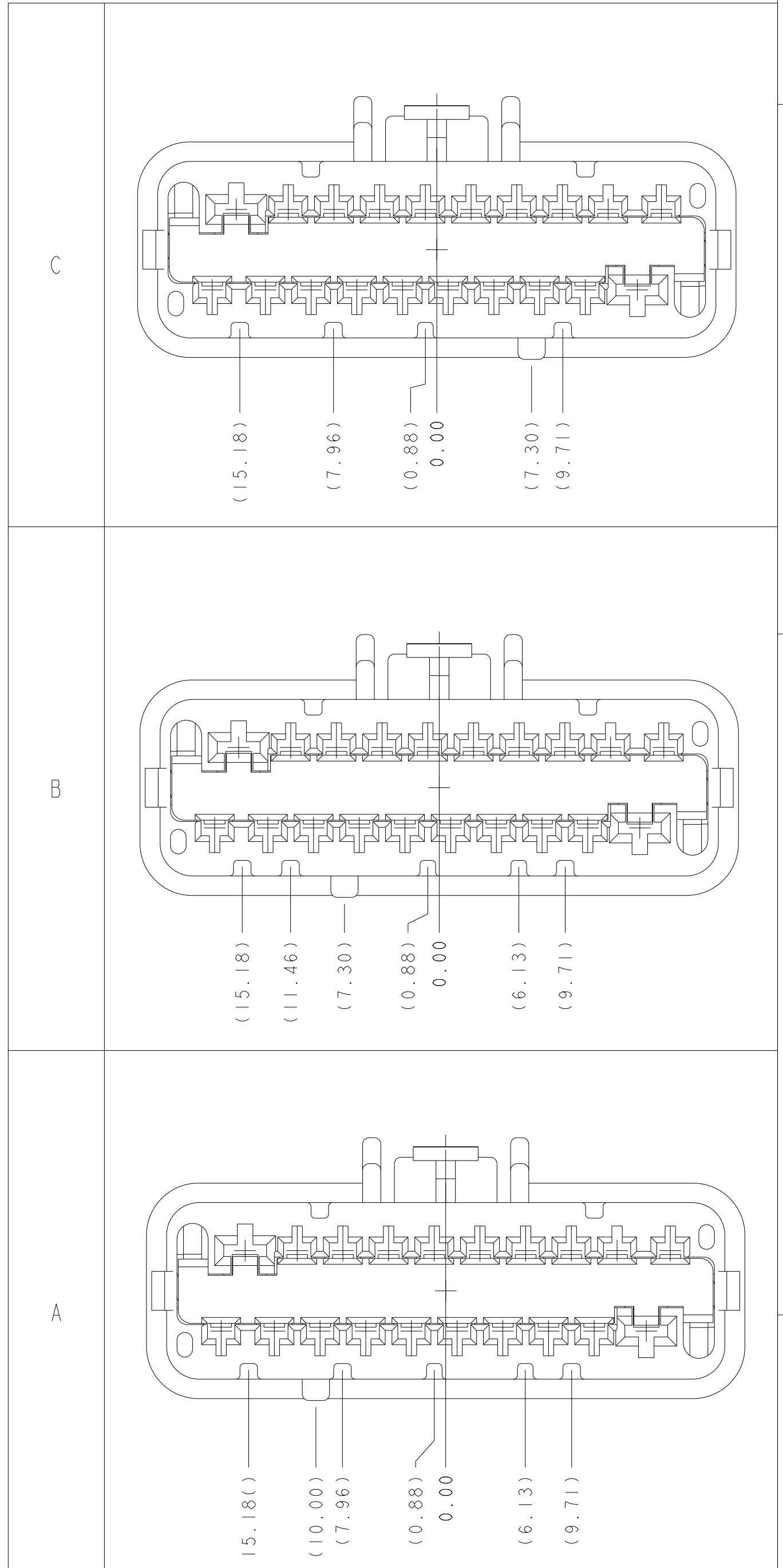
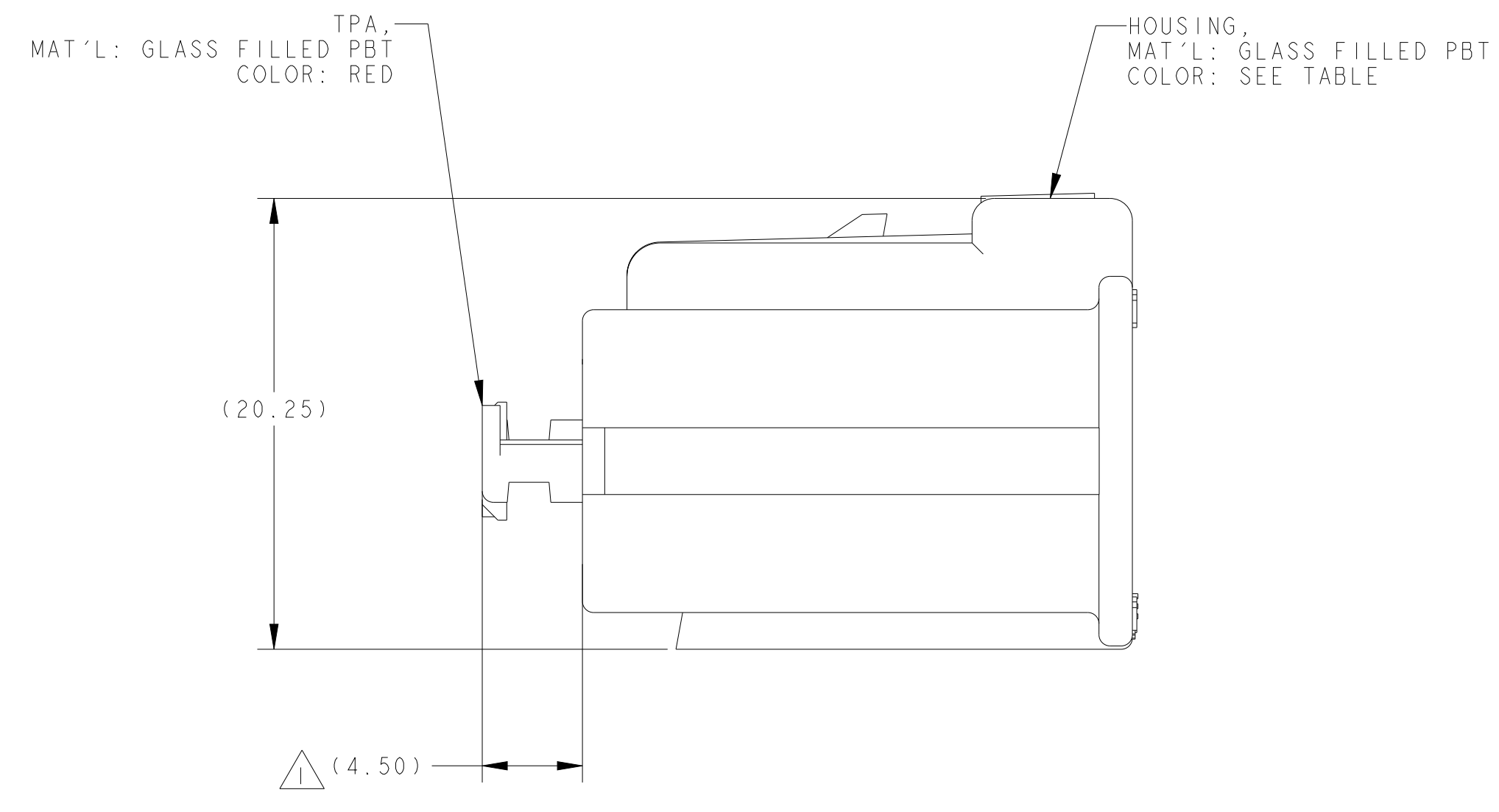
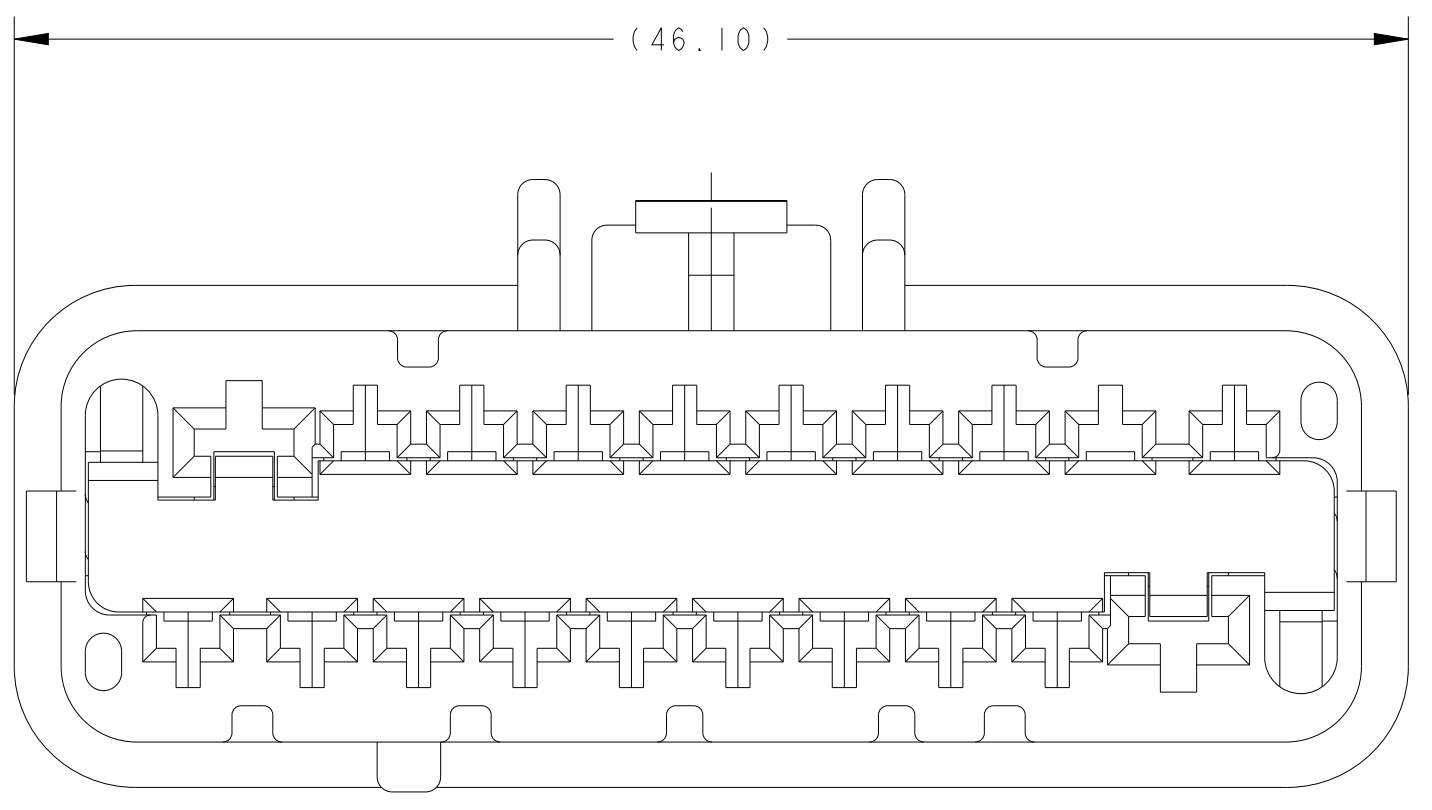
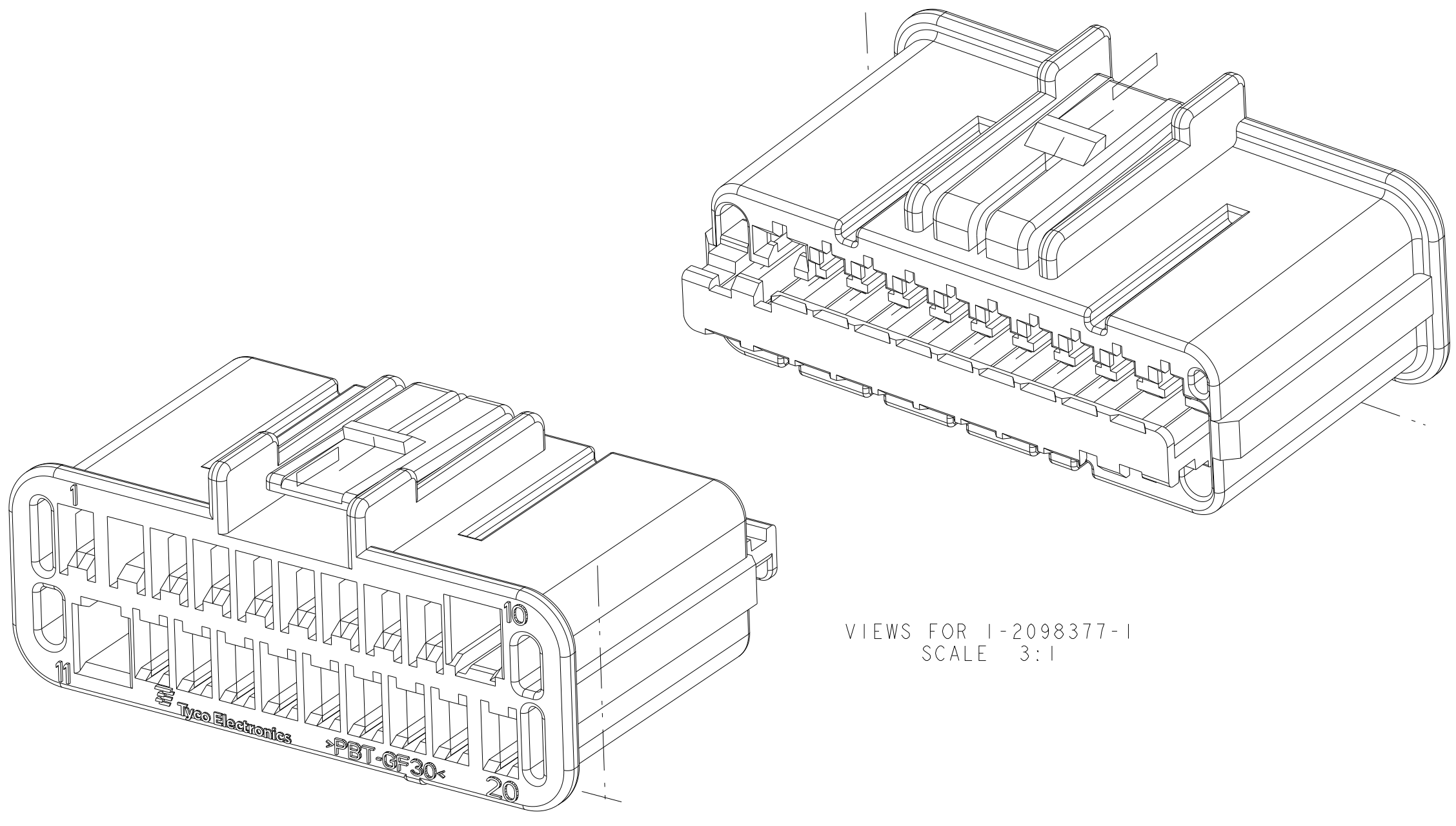
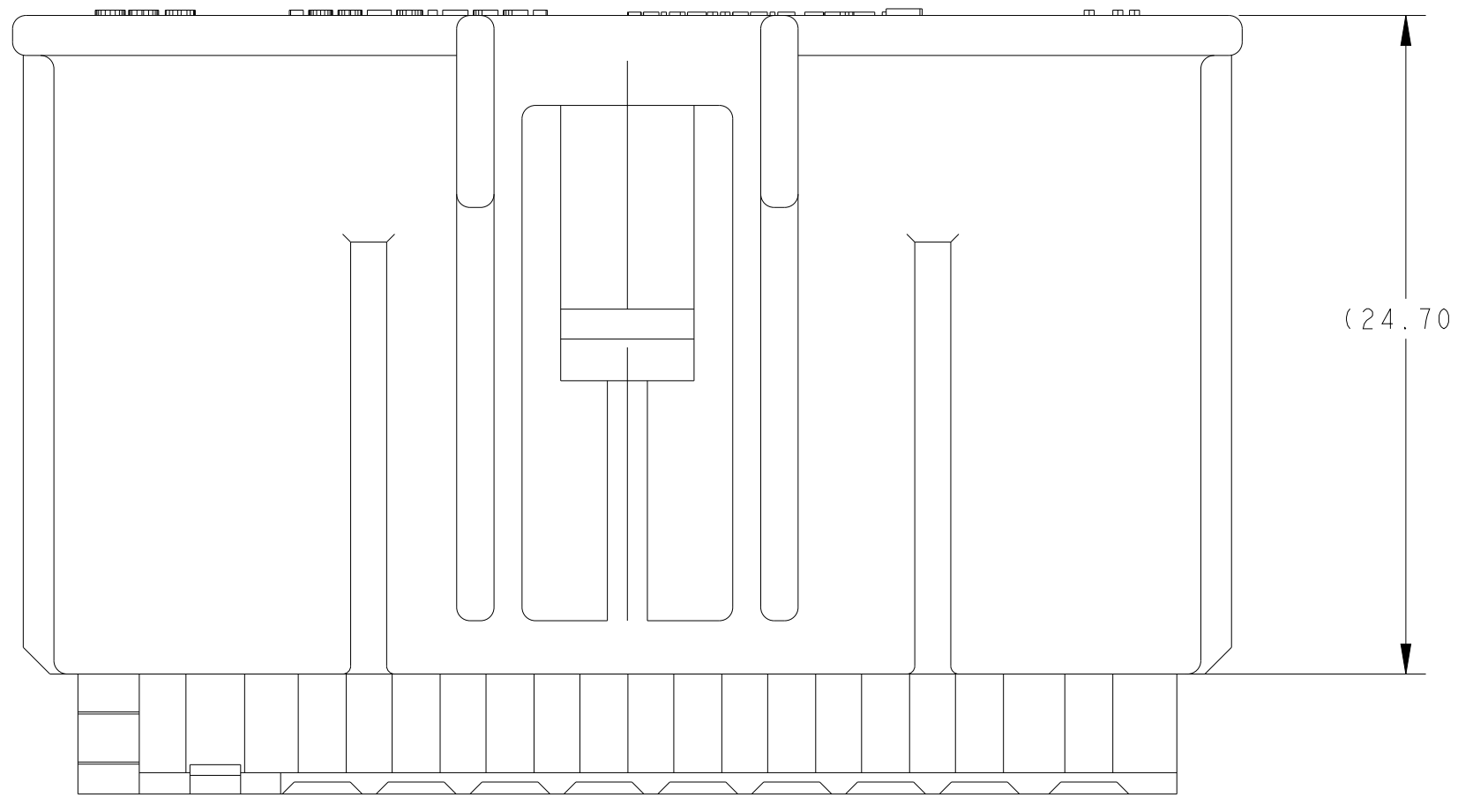
NAME: PLUG, 20 POSITION HYBRID, UNSEALED 1.5/2.8

SIZE: A1, CAGE CODE: 100779, DRAWING NO: 2098377

RESTRICTED TO: CUSTOMER DRAWING

SCALE: 4:1, SHEET 1 OF 2, REV A2

REVISIONS				
P	LTN	DESCRIPTION	DATE	APVD
-	SEE SHEET 1			



- △ TPA SHIPPED IN STAGED POSITION.
- 2. THIS PLUG CONNECTOR MATES WITH CAP CONNECTOR, TYCO ELECTRONICS DRAWING NUMBER 2098380 AND IS INTENDED FOR CLASS 2 (105°C MAX) APPLICATIONS
- 3. SEE INSTRUCTION SHEET 408-10433.

CODE	ARRANGEMENTS
	KEYING

PART NUMBER	CODE	HOUSING COLOR
I-2098377-3	C	WHITE
I-2098377-2	B	GRAY
I-2098377-1	A	BLACK

THIS DRAWING IS A CONTROLLED DOCUMENT.

DIMENSIONS:	TOLERANCES UNLESS OTHERWISE SPECIFIED:	OWN: J. R. SHUEY 27AUG2009	CHK: B. S. BUCHTER 27AUG2009
mm	0 PLC ±	APVD: -	NAME: -
	1 PLC ±	PRODUCT SPEC: -	PLUG, 20 POSITION HYBRID, UNSEALED
	2 PLC ±	APPLICATION SPEC: -	1.5/2.8
	3 PLC ±	WEIGHT: -	SIZE: CAGE CODE: DRAWING NO: A100779
	4 PLC ±	CUSTOMER DRAWING: -	SCALE: 4:1 SHEET 2 OF 2 REV A2
ANGLES	FINISH		