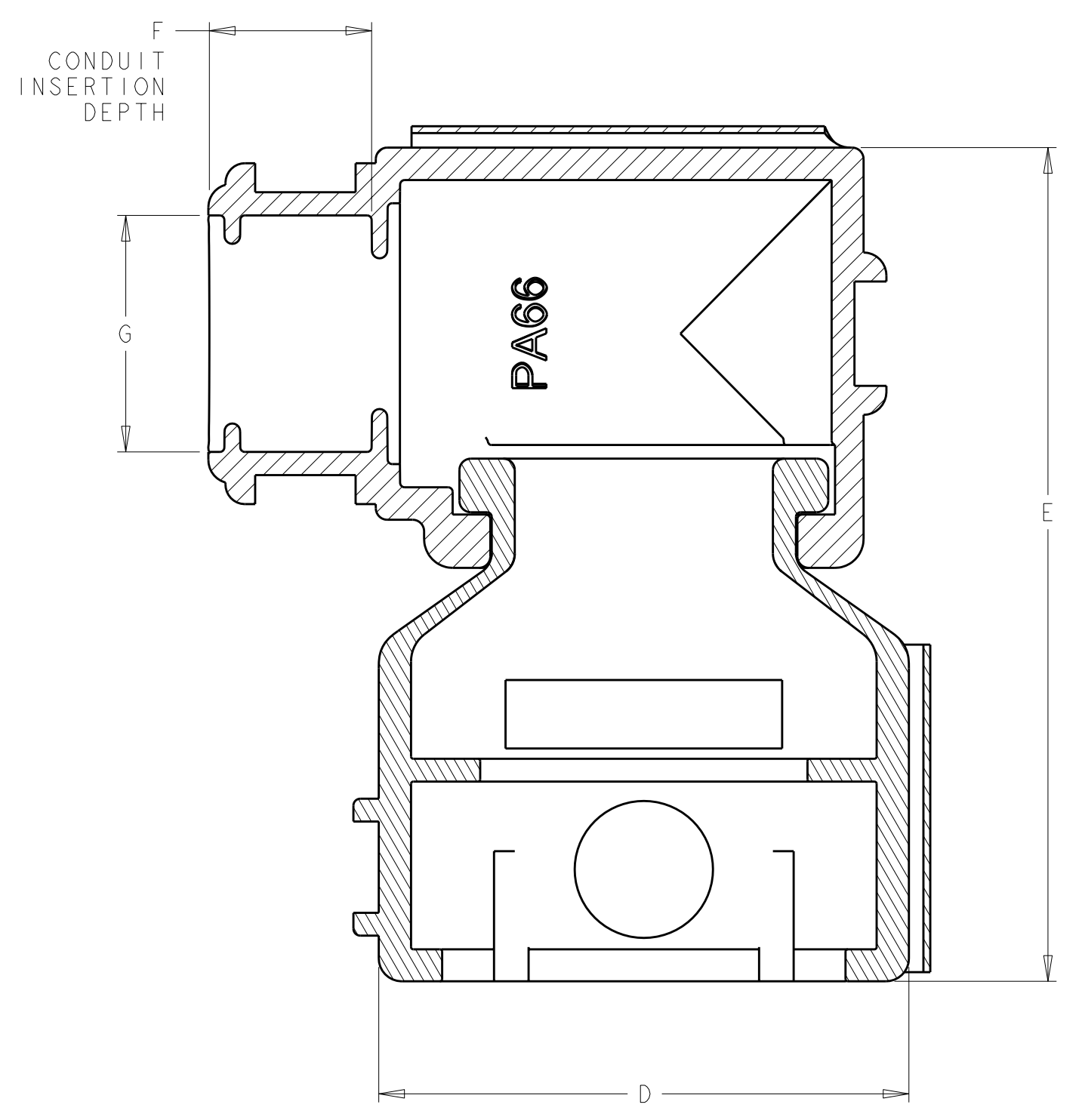
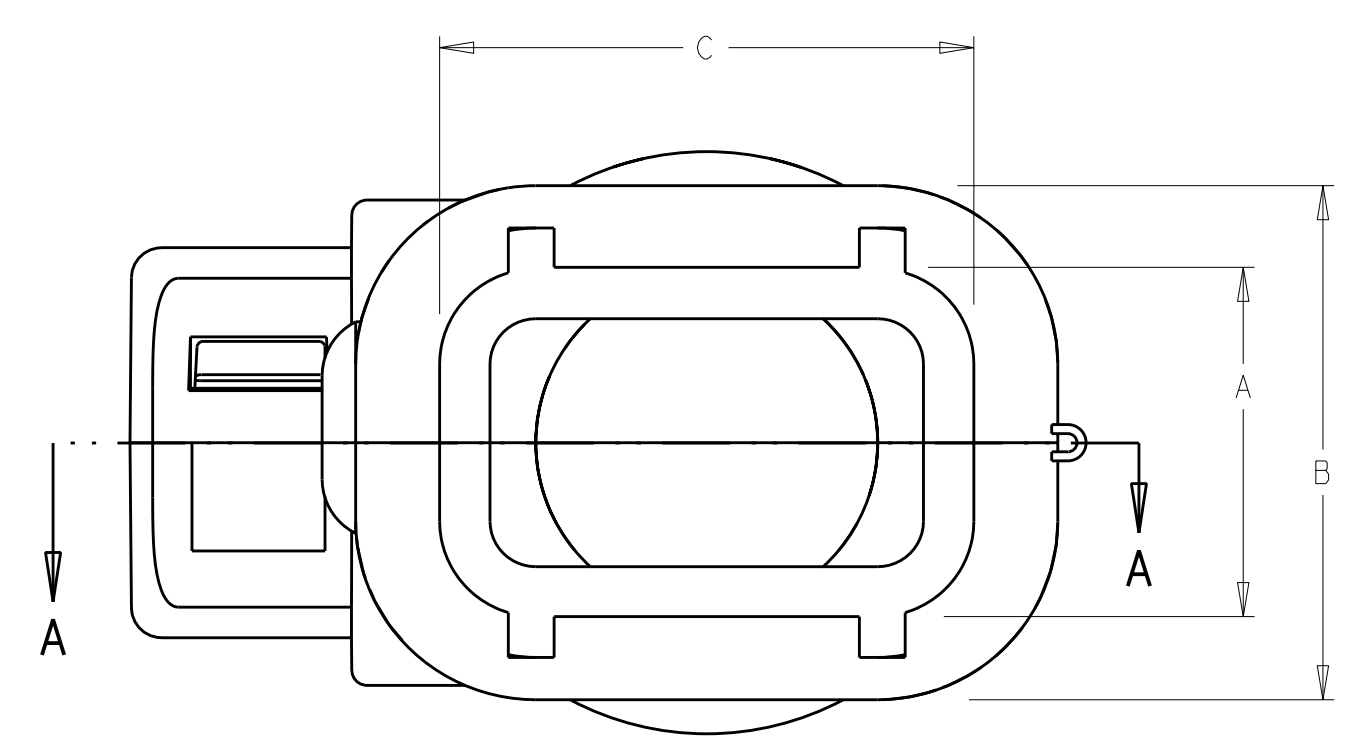
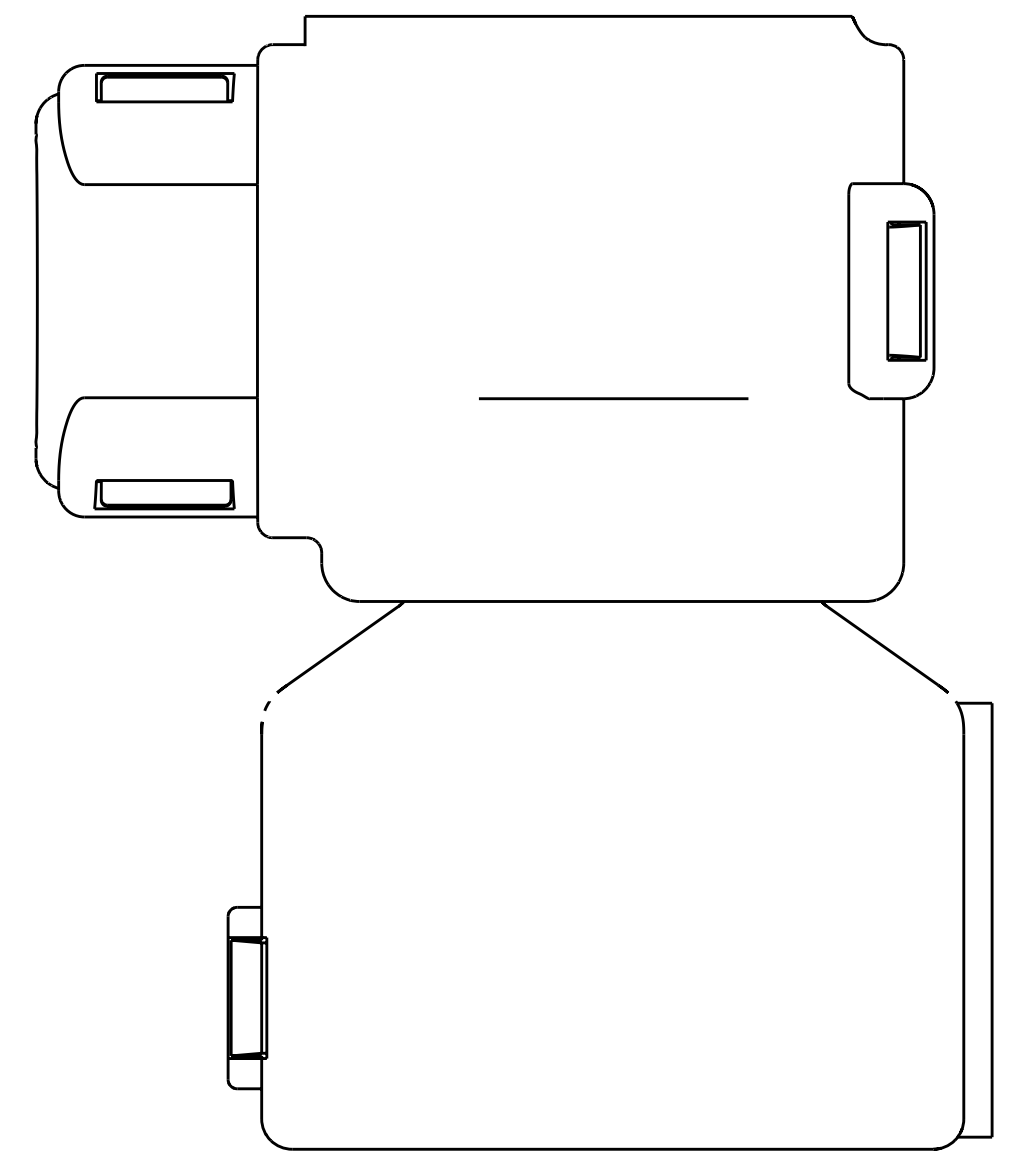
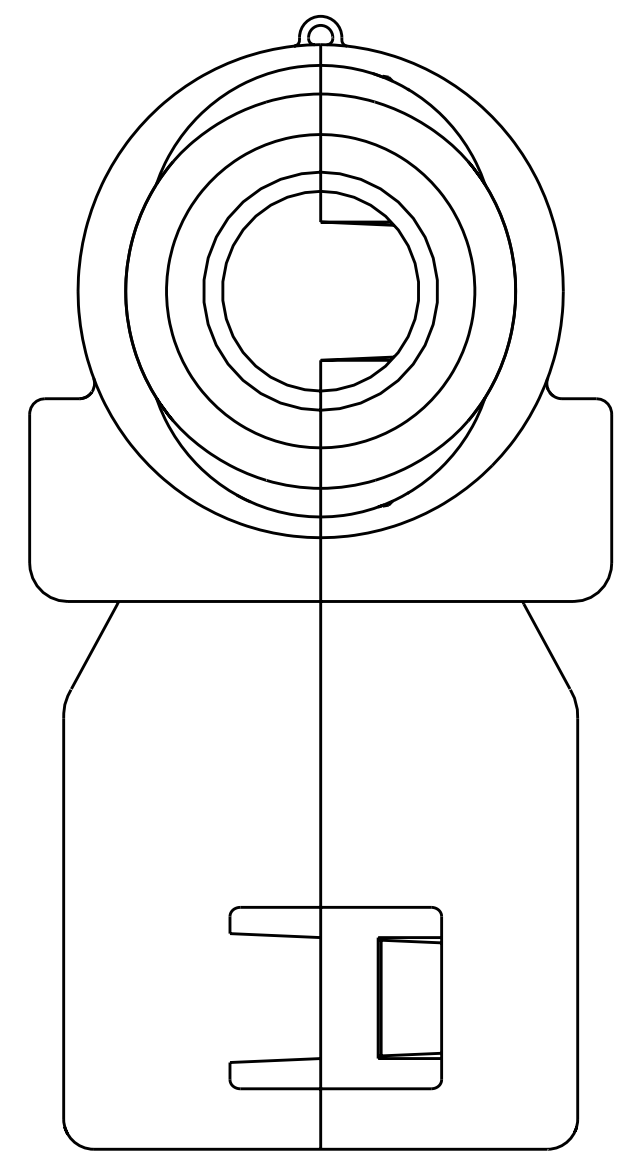
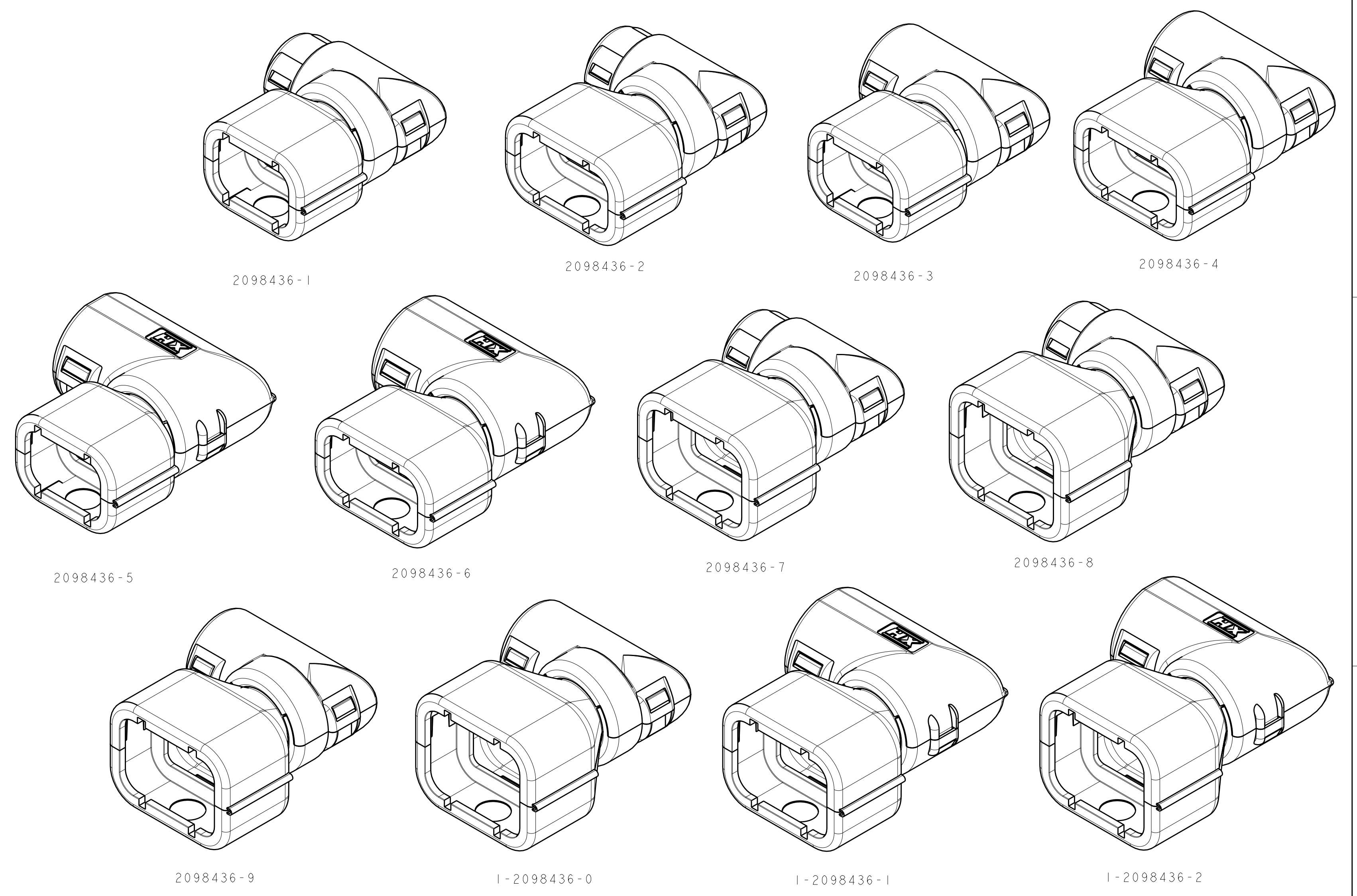


LOC	DIST	REVISIONS			
P	LTN	DESCRIPTION	DATE	DWN	APVD
I		PROPOSED	11 JUN 2009	RW	RB
A		RELEASED PER ECO-09-017979	03 AUG 2009	DD	RB



SECTION A-A



1. ELBOW DESIGN ALLOWS FOR 360° EXIT ROTATION

G	F	E	D	C	B	A	NW CONDUIT SIZE	NC CONDUIT SIZE	CONNECTOR POSITIONS	TYCO ELECTRONICS PART NO.
16.5	10.6	45.8	27.7	22.2	22.5	17.0	13	16	6	1-2098436-2
16.5	10.6	43.8	27.7	22.2	20.6	15.1	13	16	4	1-2098436-1
13.5	7.2	42.1	27.7	22.2	22.5	17.0	10	12	6	1-2098436-0
13.5	7.2	40.1	27.7	22.2	20.6	15.1	10	12	4	2098436-9
10.4	7.2	42.1	27.7	22.2	22.5	17.0	7.5	08	6	2098436-8
10.4	7.2	40.1	27.7	22.2	20.6	15.1	7.5	08	4	2098436-7
16.5	10.6	42.7	27.3	21.6	17.1	11.6	13	16	3	2098436-6
16.5	10.6	40.2	23.2	17.5	17.0	11.6	13	16	2	2098436-5
13.5	7.2	39.0	27.3	21.6	17.1	11.6	10	12	3	2098436-4
13.5	7.2	36.5	23.2	17.5	17.0	11.6	10	12	2	2098436-3
10.4	7.2	39.0	27.3	21.6	17.1	11.6	7.5	08	3	2098436-2
10.4	7.2	36.5	23.2	17.5	17.0	11.6	7.5	08	2	2098436-1

DIMENSIONS: mm 		TOLERANCES UNLESS OTHERWISE SPECIFIED: 9 PLC ±0.5 5 PLC ± 4 PLC ± ANGLES ±1° FINISH -		DWN: RUSTY WORTHINGTON CHK: ROGER BALTER APVD: ROGER BALTER DATE: 11 JUN 2009 NAME: ROGER BALTER PRODUCT SPEC: APPLICATION SPEC: WEIGHT: CUSTOMER DRAWING		Tyco Electronics Harrisburg, PA 17105-3608 NAME: BACKSHELL, RIGHT-ANGLE, LOW PROFILE CAP CONNECTOR, NW/NC CONDUIT AMPSEAL 16 SIZE: A CAGE CODE: 100779 DRAWING NO: C=2098436 SCALE: 2:1 SHEET: 1 OF 1 REV: A	
-----------------------	--	---	--	---	--	--	--