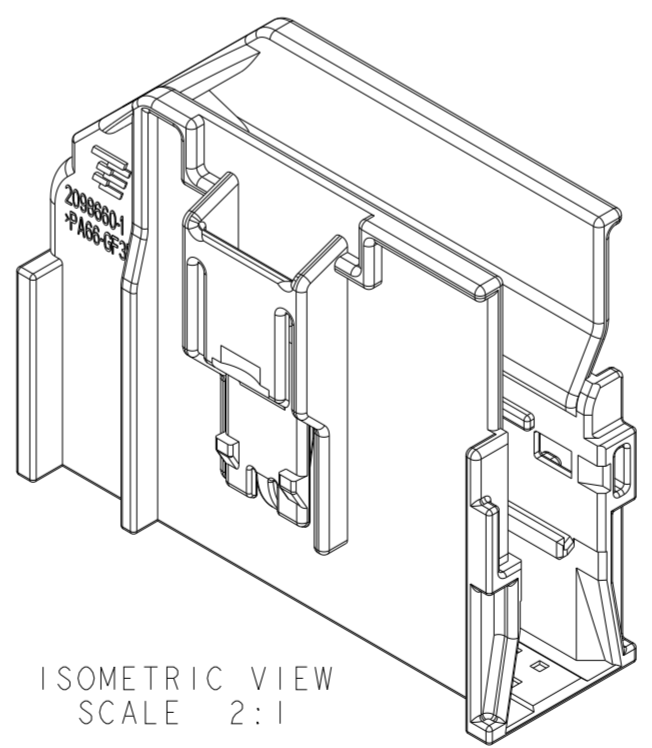
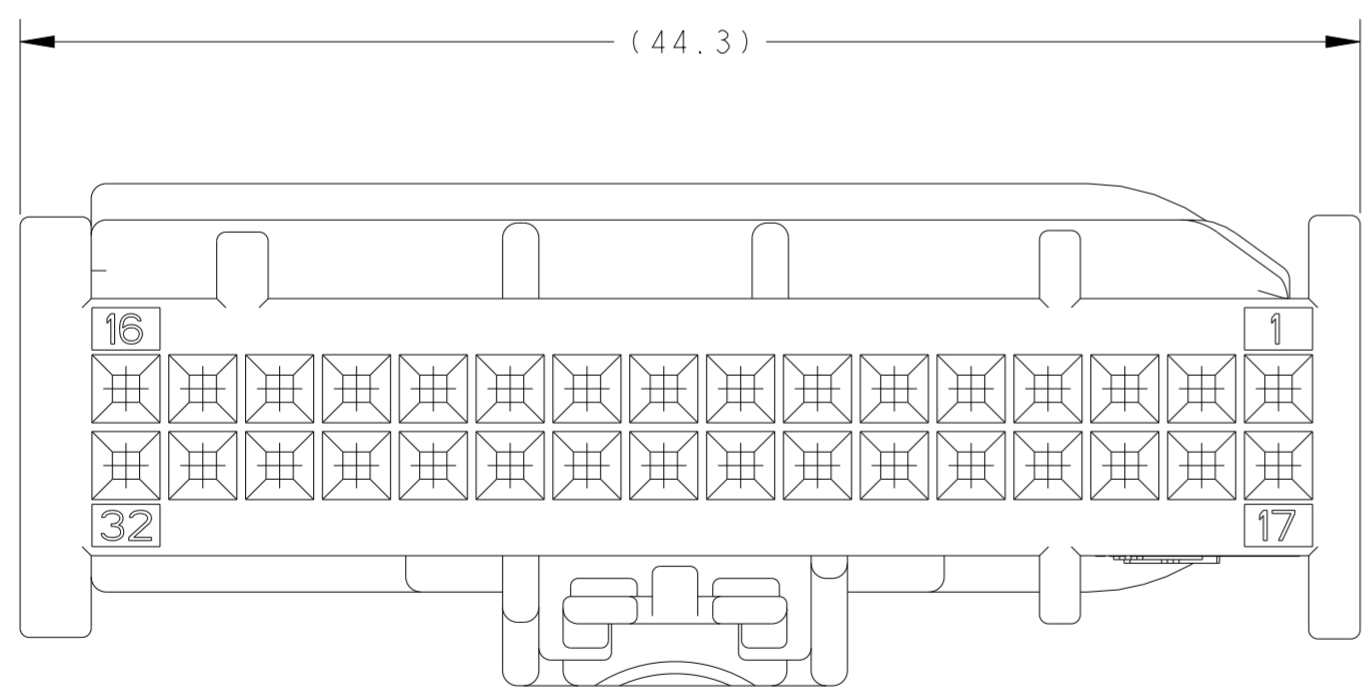
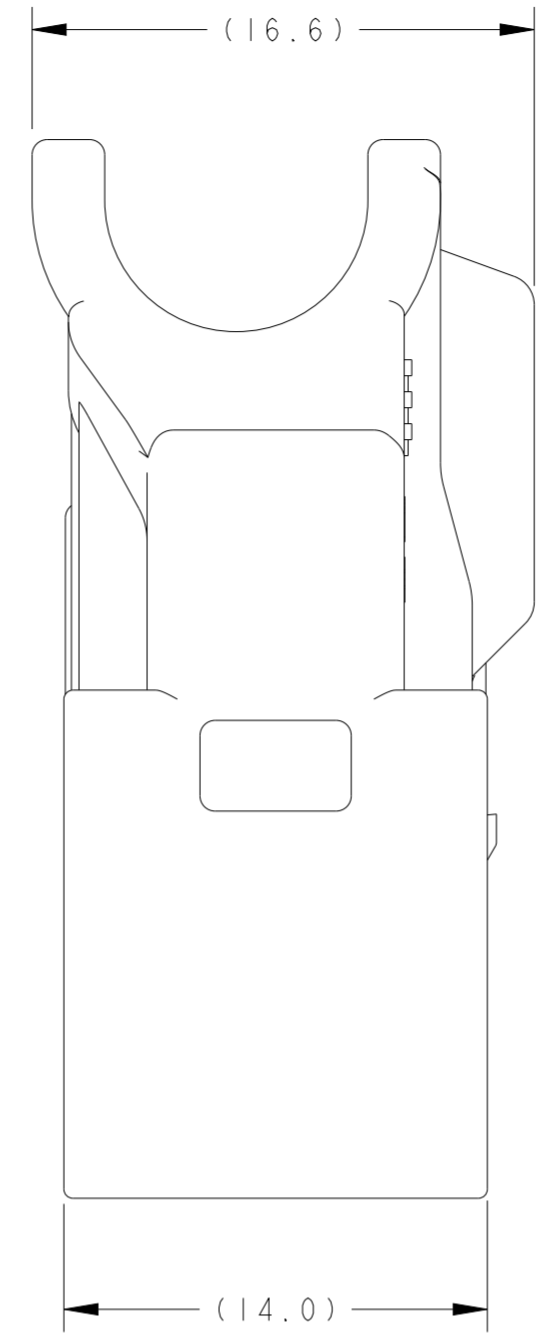
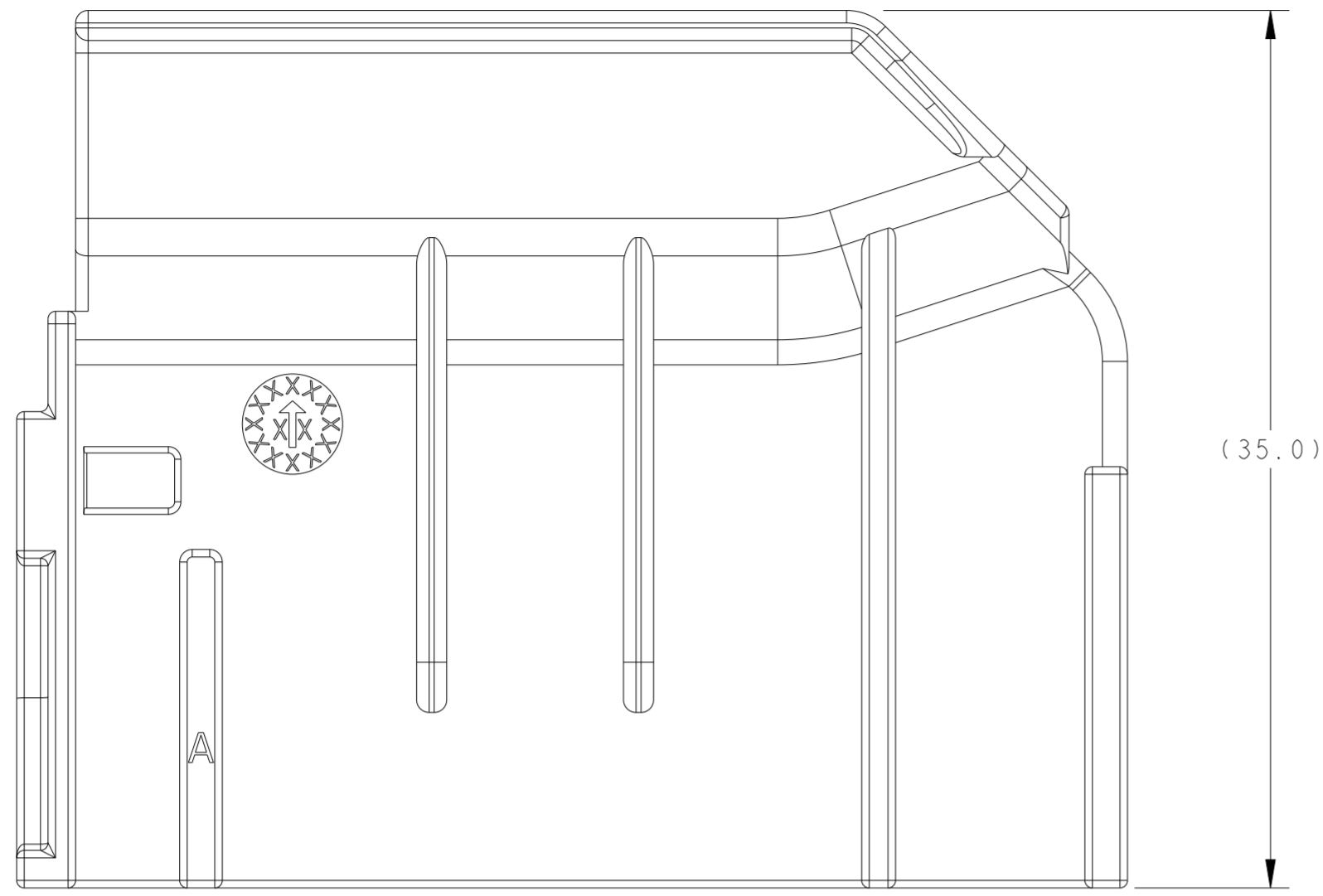


THIS DRAWING IS UNPUBLISHED. RELEASED FOR PUBLICATION 20
 © COPYRIGHT 20 ALL RIGHTS RESERVED.

| LOC | DIST | REVISIONS | | | |
|-----|------|-----------------------|-----------|-----|------|
| P | LTR | DESCRIPTION | DATE | DWN | APVD |
| IN | 00 | | | | |
| | I | FIRST DRAFT | 25MAR2010 | VSS | GM |
| | A | REV PER ECO-11-015187 | 29JUL2011 | SR | GM |
| | B | REV PER ECR-12-013288 | 24JUL2012 | MBH | GM |
| | BI | REV PER ECN-23-229881 | 27SEP2023 | SMR | CS |



| KEYING (SCALE 2:1) | COLOR | PART NUMBER |
|--------------------|-------|-------------|
| <p>CODE C</p> | BLUE | 2098660-3 |
| <p>CODE B</p> | GRAY | 2098660-2 |
| <p>CODE A</p> | BLACK | 2098660-1 |

- SHIELD ACCEPTS CARRIER PART NUMBER 2098216-1
- MATERIAL: NYLON 6/6, 30%-35% GLASS FILLED, COLOR: SEE TABLE
- REFERENCE INSTRUCTION SHEET 408-10195 FOR ASSEMBLY INSTRUCTIONS.

THIS DRAWING IS A CONTROLLED DOCUMENT.

| | | | |
|----------------|--|-------------------------|---|
| DIMENSIONS: mm | TOLERANCES UNLESS OTHERWISE SPECIFIED: | DWN S. VINAY 25MAR2010 | TE Connectivity SHIELD, 32 POSITION PLUG, GENERATION Y |
| | 0 PLC ±- | CHK M. GALEN 25MAR2010 | |
| | 1 PLC ±0.3 | APVD M. GALEN 25MAR2010 | |
| | 2 PLC ±0.20 | PRODUCT SPEC - | |
| MATERIAL | 3 PLC ±- | APPLICATION SPEC - | SIZE CAGE CODE DRAWING NO RESTRICTED TO |
| 4 PLC ±- | ANGLES ±1° | WEIGHT - | A200779C-2098660-1 |
| FINISH | FINISH | CUSTOMER DRAWING | SCALE 4:1 SHEET 1 OF 1 REV BI |