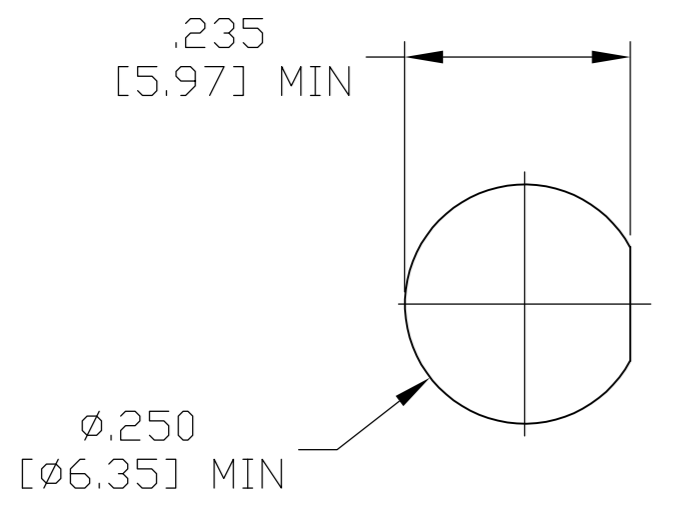


THIS DRAWING IS UNPUBLISHED. RELEASED FOR PUBLICATION  
 © COPYRIGHT BY TYCO ELECTRONICS CORPORATION. ALL RIGHTS RESERVED.

HOUSING	STAINLESS STEEL PER ASTM-A484 AND ASTM-A582, TYPE 303	GOLD PLATED PER MIL-G-45204
MOUNTING NUT	STAINLESS STEEL PER ASTM-A484 AND ASTM-A582, TYPE 303	PASSIVATED PER SAE-AMS-2700
DIELECTRIC	TFE FLUOROCARBON PER ASTM-D-1457	N/A
CENTER CONTACT	BERYLLIUM COPPER PER ASTM-B-196 OR ASTM-B-197, ALLOY C17300, CONDITION H	GOLD PLATED PER MIL-G-45204
LOCKWASHER	PHOSPHOR BRONZE PER QQ-B-750, GRADE B2 OR TIN BRASS PER ASTM-B-591	NICKEL PLATED PER AMS-QQ-N-290
O-RING	FLUROCARBON RUBBER PER MIL-R-83428, TYPE 1, CLASS 1	N/A
COMPONENT	MATERIAL	FINISH



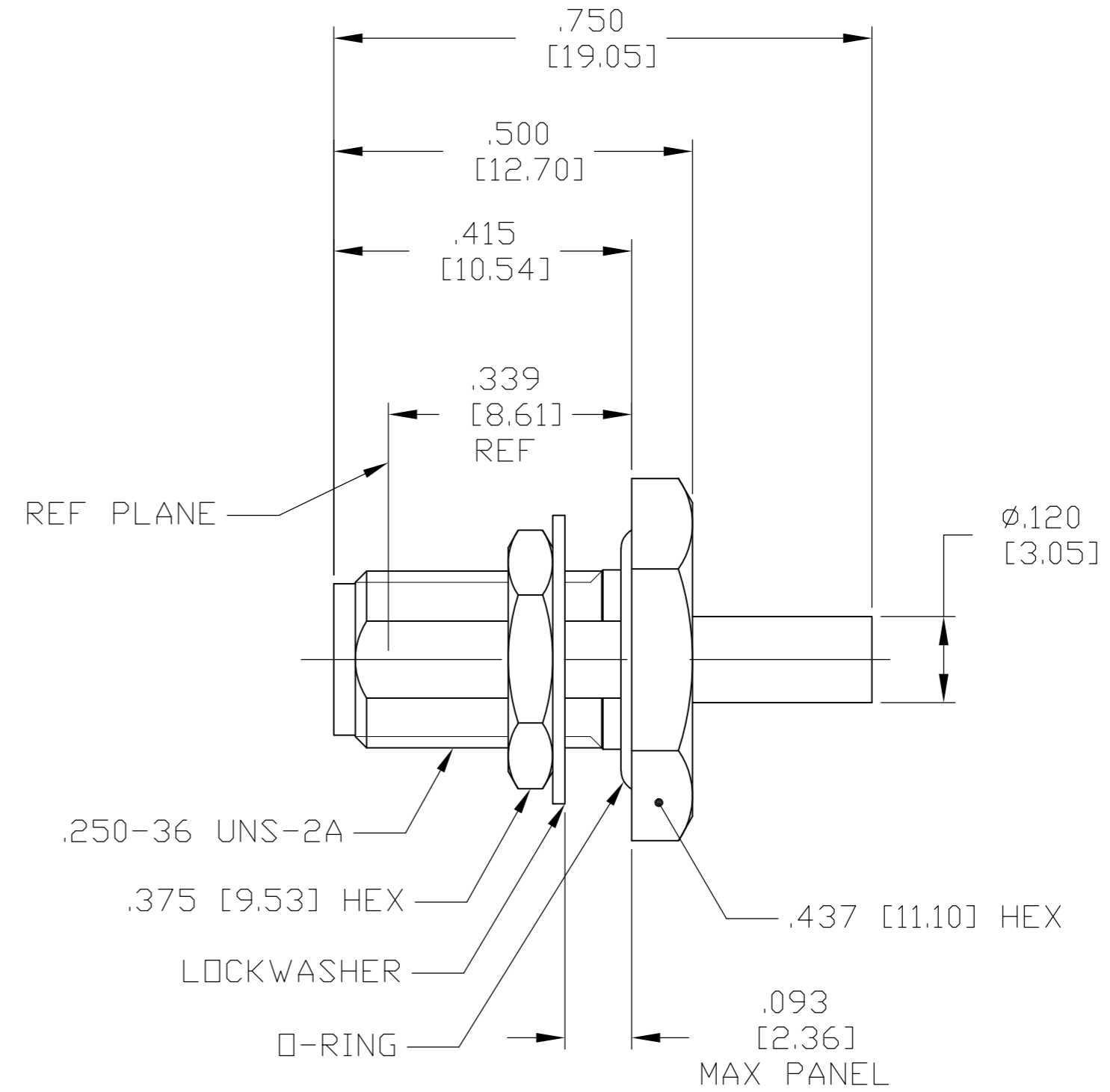
RECOMMENDED MOUNTING HOLE

ELECTRICAL	MECHANICAL	ENVIRONMENTAL
Nominal Impedance (Ohms) 50	Interface Dimensions MIL-STD-348, Fig. 310.2	TEMPERATURE RATING -65°C TO +105°C
Frequency Range (GHz) DC to 18	Recommended Mating Torque 7-10 IN LBS	Vibration MIL-STD-202, Method 204, Condition D
Volt Rating (VRMS MAX) @ Sea Level 335	Mating Characteristics:	Shock MIL-STD-202, Method 213, Condition I
VSWR 1.07 + .005 f(GHz)	Insertion (MAX Lbs) 3.0	Thermal Shock MIL-STD-202, Method 107, Condition B
Insertion Loss (dB MAX) .03 √f(GHz)	Withdrawal (MIN Oz) 1.0	EXCEPT HIGH TEMP +115°C
RF Leakage (dB MIN) -90 @ 2 to 3 (GHz)	Force to Engage and Disengage (In/Lbs MAX) 2.0	Moisture Resistance MIL-STD-202, Method 106, Insulation Resistance
Corona, 70,000 Ft (VRMS MIN) 250	Center Contact Captivation	Shall Be 200 Megohms min within 5 Minutes After Removal From Humidity
Dielectric Withstanding Voltage (VRMS MIN) @ Sea Level 1000	Axial (Lbs) N/A	Corrosion - MIL-STD-202, Method 101, Condition B, 5% salt spray
Contact Resistance (Milliohms MAX)	Radial (In/Oz) N/A	
Center Contact 3.0	Cable Retention	
Outer Contact 2.0	Axial Force (Lbs) 30	
Cable to Housing 0.5	Torque (In/Oz) 16	
RF High Potential @ Sea Level (VRMS MIN @ 5 MHz) 670	Weight (Grams) 3.5	
I.R.(Megohms MIN) 10,000		

DESIGNED TO USE  
 Ø.085 SEMI-RIGID CABLE  
 CABLE ENTRY DIAMETER MIN  
 HOUSING: .089 [2.26]  
 CONTACT: .021 [0.53]

REVISIONS					
P	LTR	DESCRIPTION	DATE	DWN	APVD
B		RELEASED PER ECO 10-001629	27JAN10	PY	DW

1. PARTS SHIPPED UNASSEMBLED.



2101520-1  
 PART NUMBER

THIS DRAWING IS A CONTROLLED DOCUMENT.		DWN 7-22-09 C.C.THOMAS	Tyco Electronics Corporation Harrisburg, PA 17105-3608	
DIMENSIONS: INCHES [mm]		CHK 9-22-09 D.WILSON	NAME SMA STRAIGHT BULKHEAD FEEDTHROUGH CABLE JACK DIRECT SOLDER ATTACHMENT	
TOLERANCES UNLESS OTHERWISE SPECIFIED:		APVD 9-22-09 D.WILSON	APPLICATION SPEC 408-04769	
0 PLC ± -		SIZE A2		
1 PLC ± -		CAGE CODE 00779		
2 PLC ± -		DRAWING NO C=2101520		
3 PLC ± .005 [0.13]		RESTRICTED TO		
4 PLC ± -		SCALE 5:1		
ANGLES ± 1°		SHEET 1 of 1		
FINISH SEE TABLE		REV B		
MATERIAL SEE TABLE		CUSTOMER DRAWING		