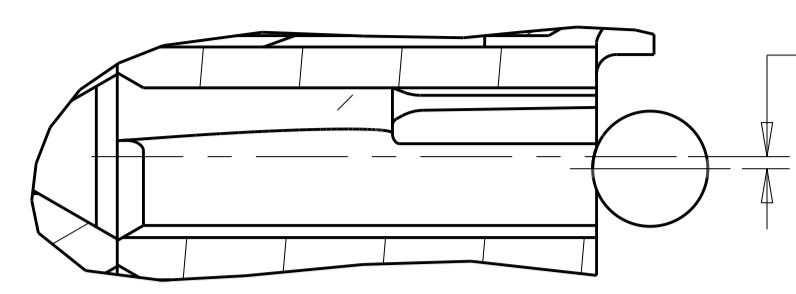
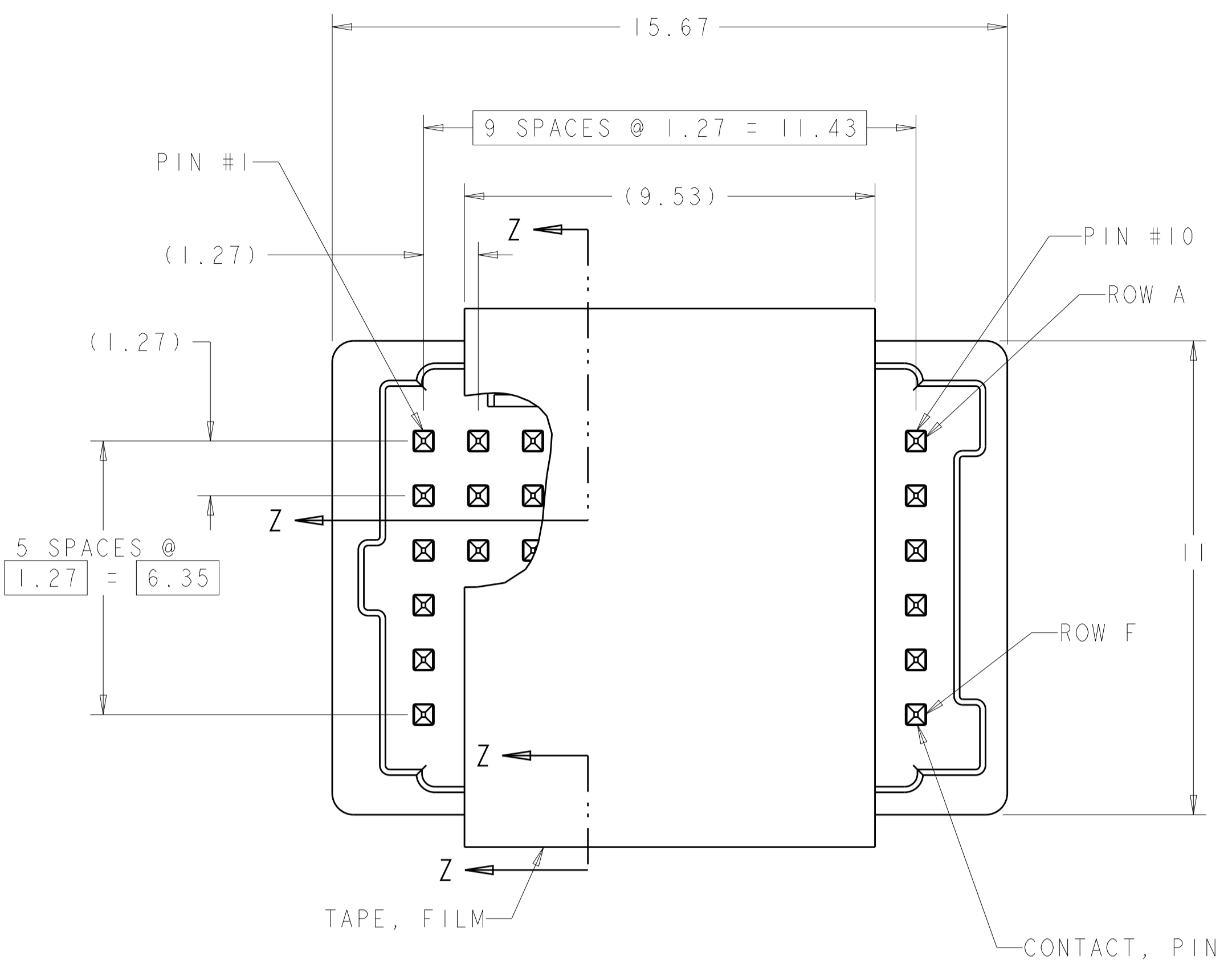
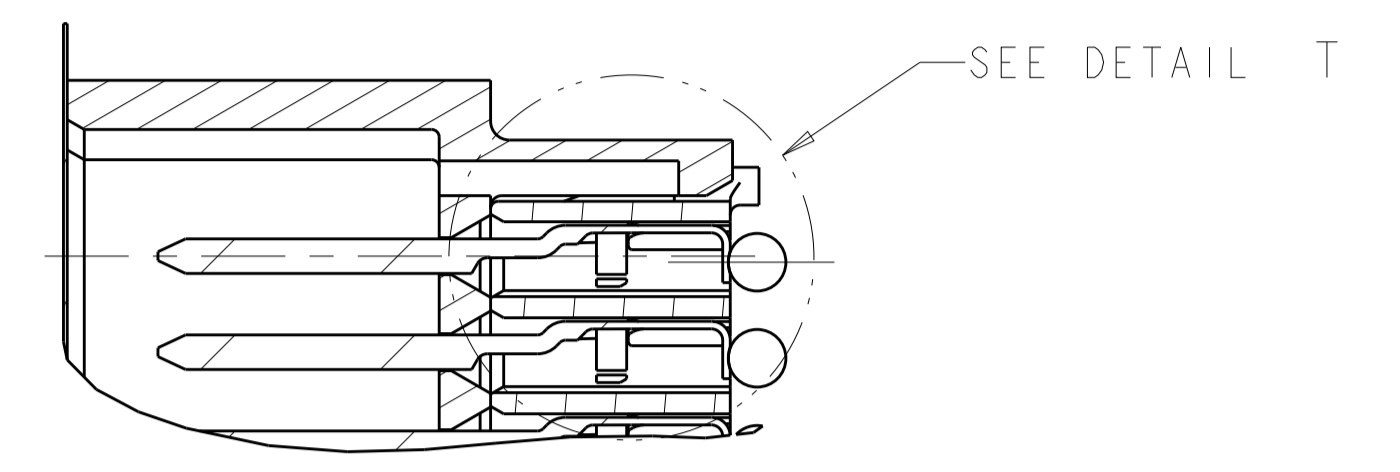
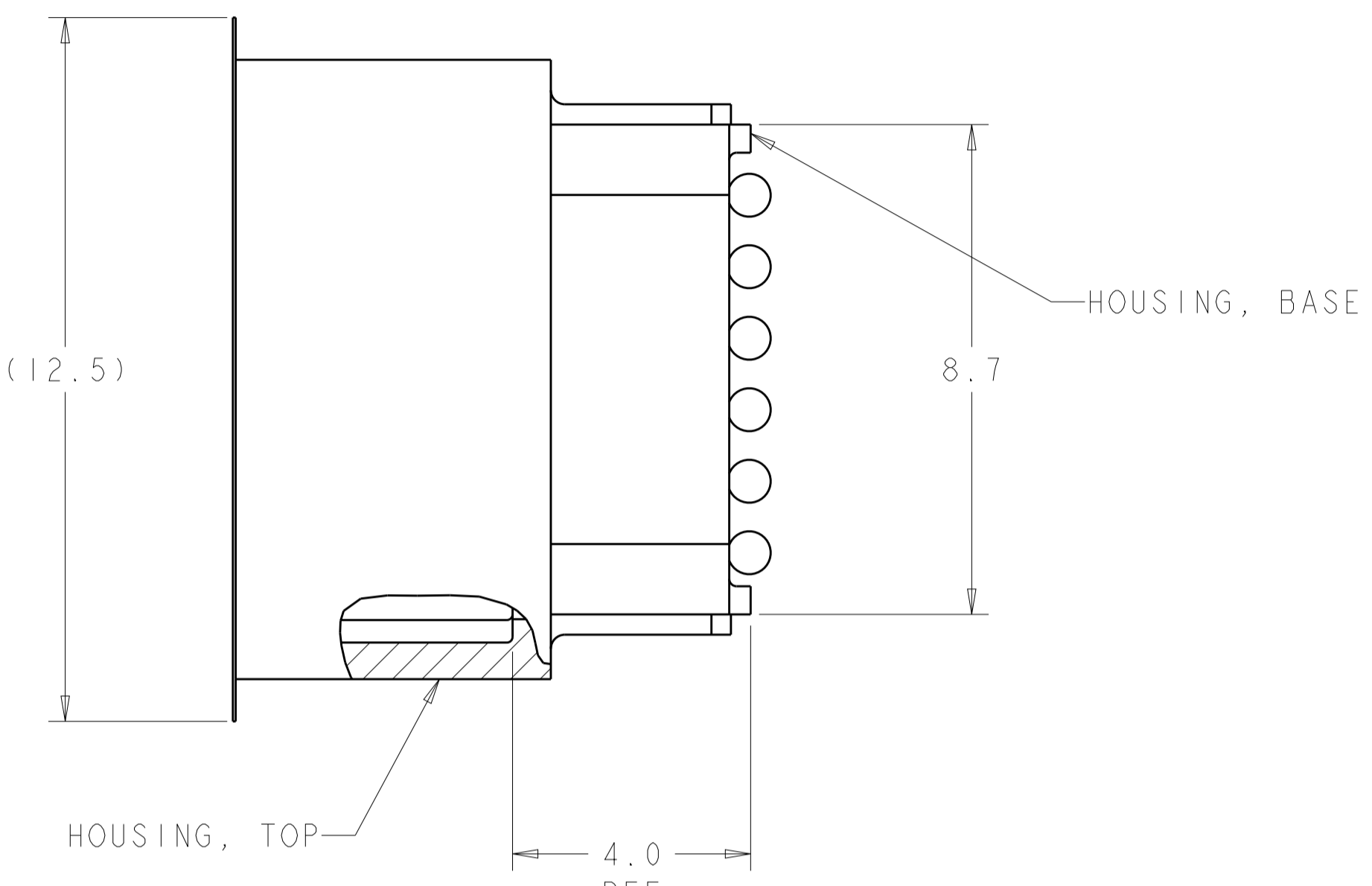


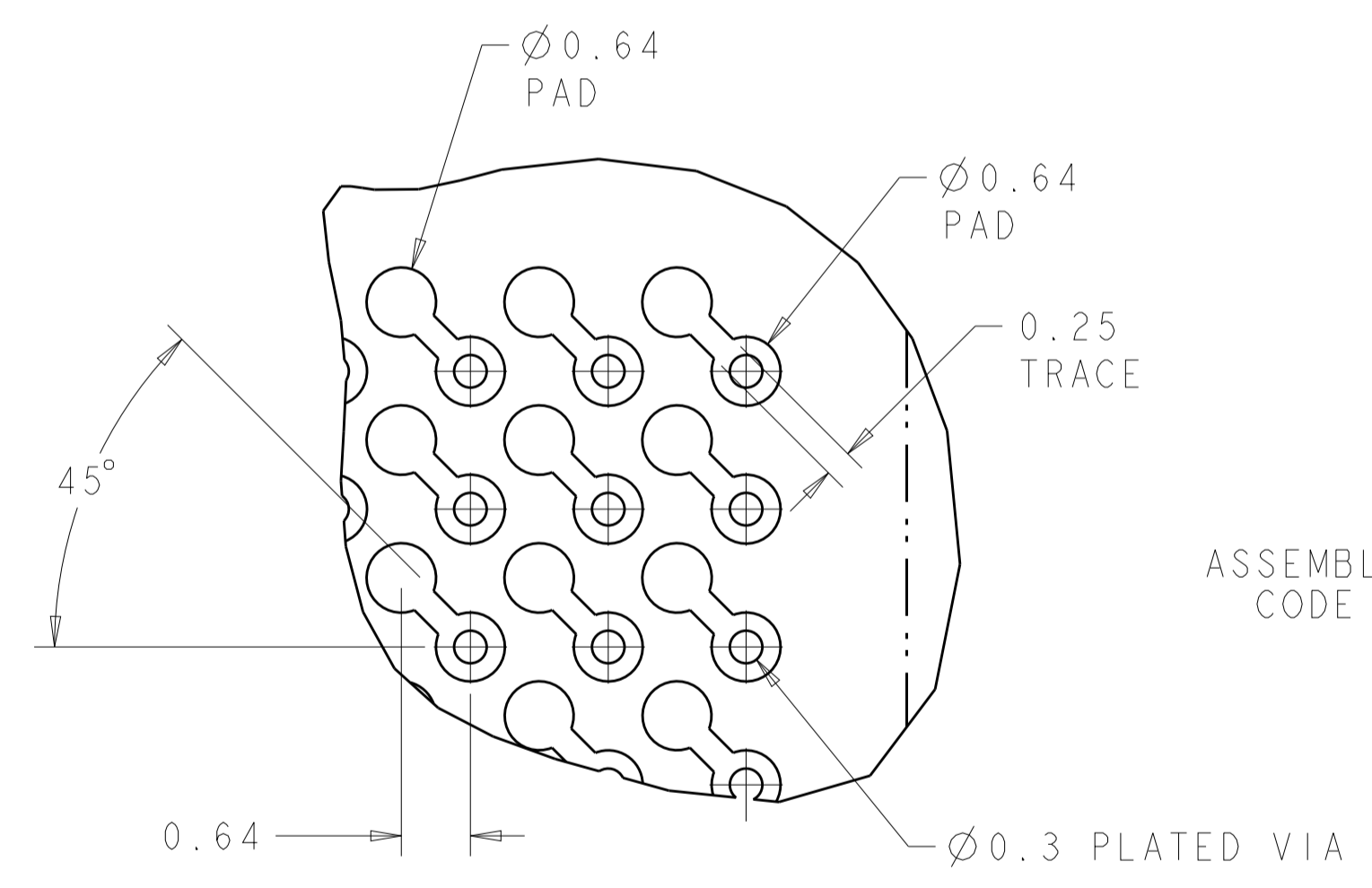
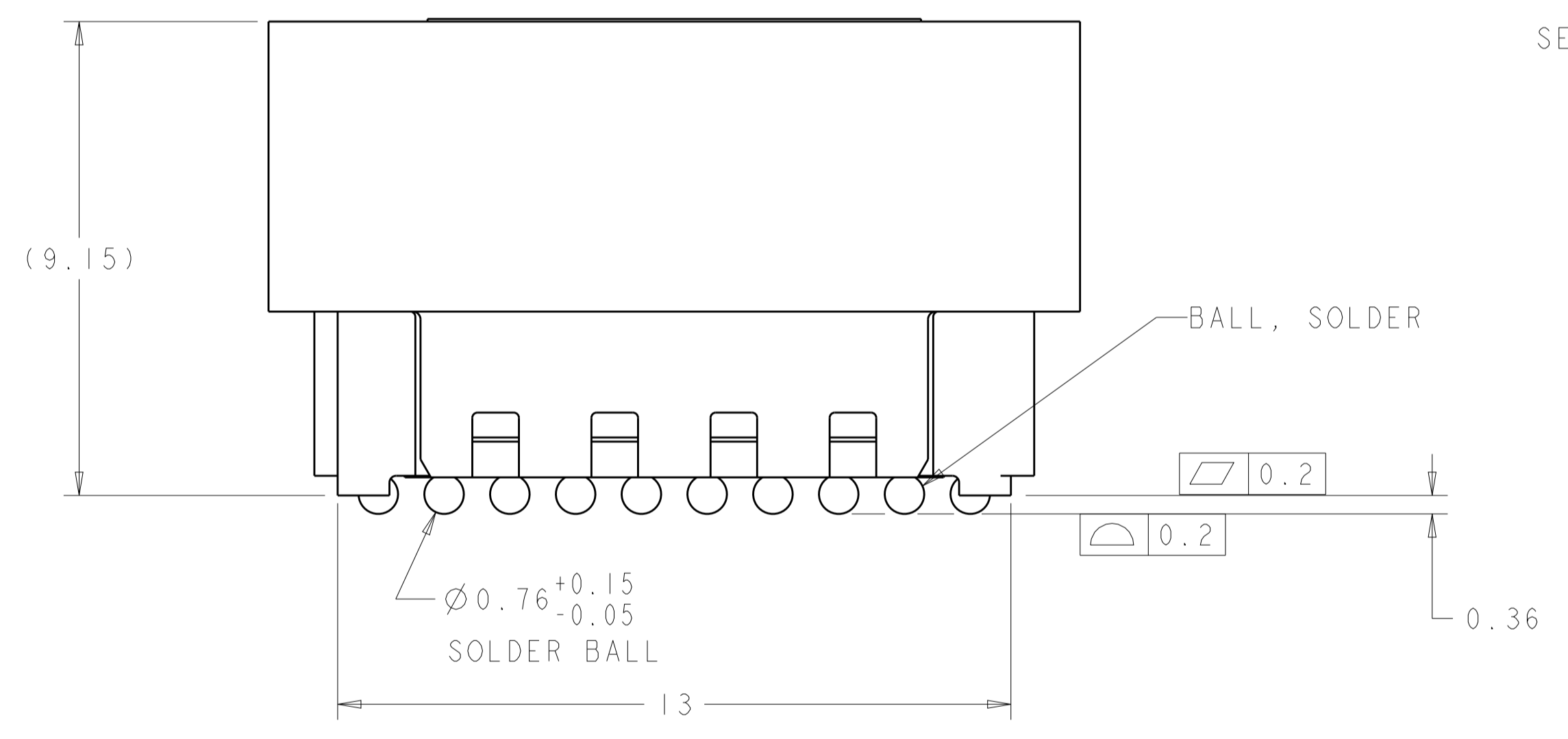
REVISIONS					
REV	DATE	DESCRIPTION	BY	CHK	APPV
E	1-24-18	REV PER ECO 18-010457	CT	CJ	
F	21MAR2019	REVISED PER ECO-19-004671	DCB	RL	



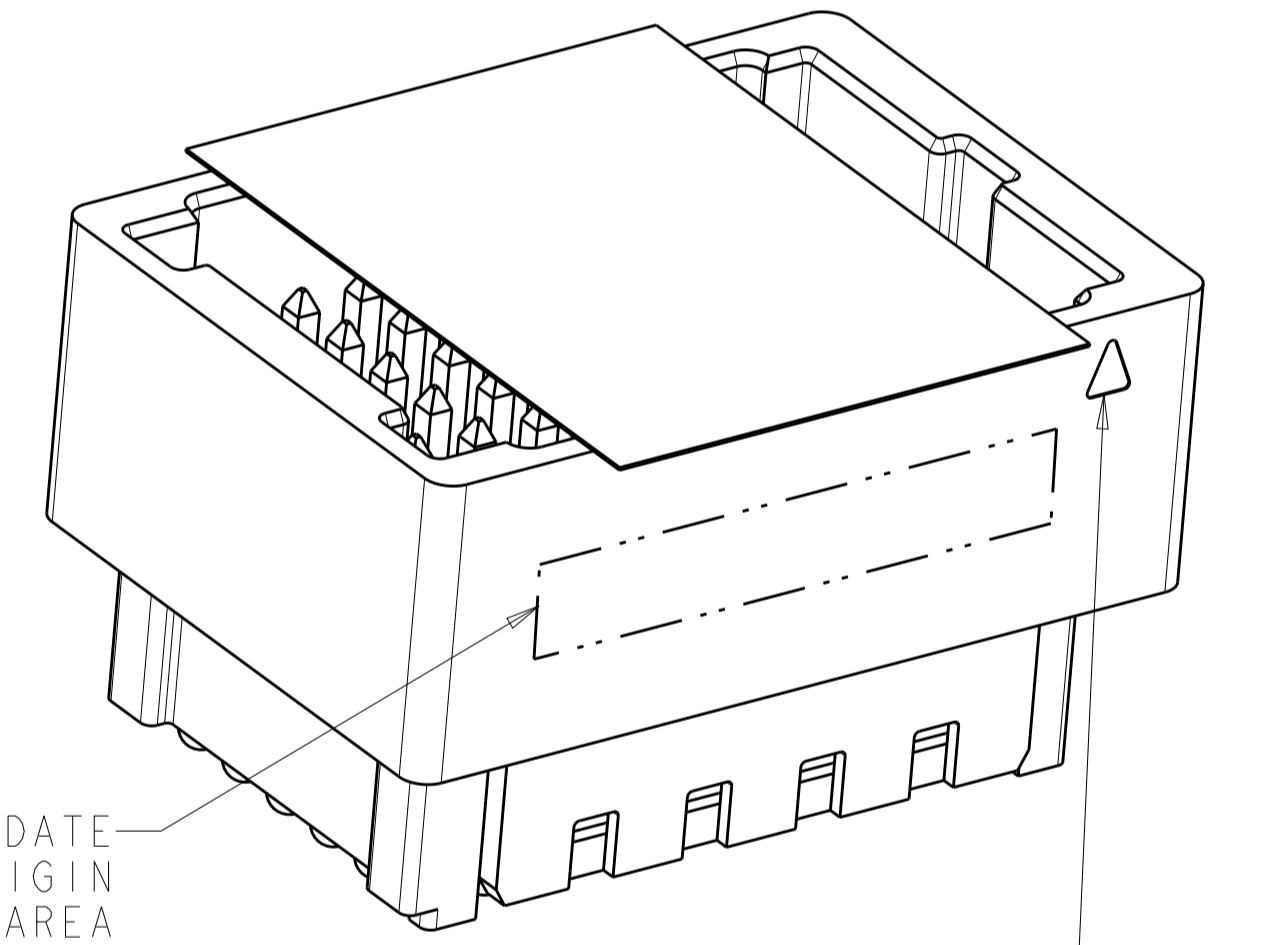
0.08 OFFSET FROM CONTACT C/L TO SOLDER BALL C/L



SECTION Z-Z



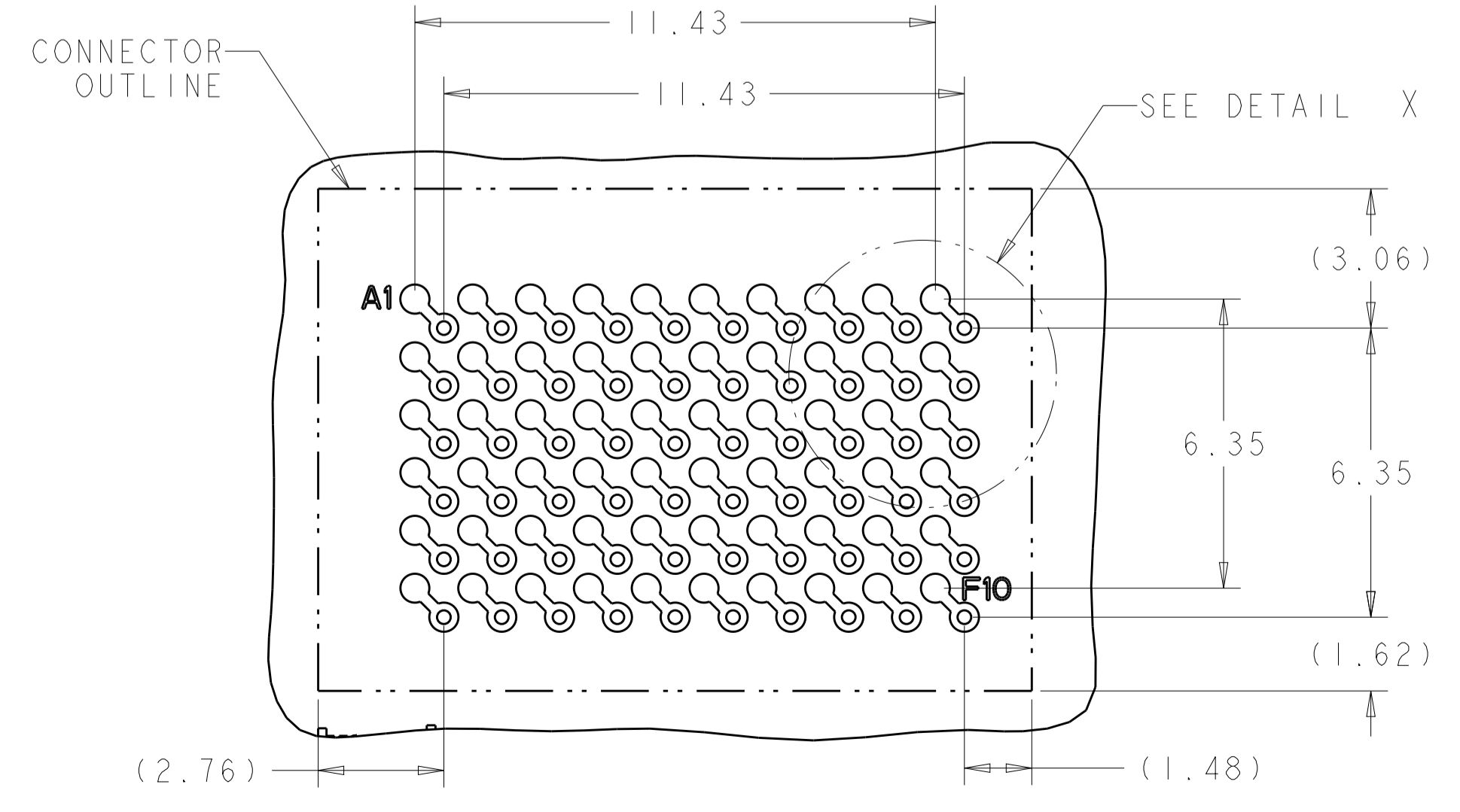
DETAIL X SCALE 16:1



ASSEMBLY PART NUMBER, DATE CODE & COUNTRY OF ORIGIN MARKED IN THIS AREA

A1 INDICATOR MARKED APPROX AS SHOWN

SCALE 8:1



PCB LAYOUT (CONNECTOR SIDE) SCALE - 8:1

SUPERSEDED BY 2102079-2	1-2102080-2	2102080-8	2102080-6	0.76 μm	LEAD FREE PER SAC405	2102079-4
SUPERSEDED BY 2102079-1	1-2102080-1	2102080-7	2102080-5	0.76 μm	TIN LEAD	2102079-3
	1-2102080-0	2102080-4	2102080-2	1.27 μm	LEAD FREE PER SAC405	2102079-2
	2102080-9	2102080-3	2102080-1	1.27 μm	TIN LEAD	2102079-1
	18 mm STACK HEIGHT MATING CONNECTOR	12mm STACK HEIGHT MATING CONNECTOR	10mm STACK HEIGHT MATING CONNECTOR	GOLD PLATING THICKNESS	SOLDER BALL MATERIAL	PART NUMBER

- 1 MATERIAL: HOUSINGS ; LCP, COLOR-NATURAL CONTACT; PHOSPHOR BRONZE SOLDER BALL; SEE TABLE TAPE, FILM; KAPTON WITH SILICON ADHESIVE
- 2 FINISH: CONTACT; GOLD (SEE TABLE) ON MATING AREA OVER NICKEL ON ENTIRE CONTACT.

THIS DRAWING IS A CONTROLLED DOCUMENT.

DIMENSIONS:	TOLERANCES UNLESS OTHERWISE SPECIFIED:	DWN G. DUTY 22JUL2009	CHK K. DOWHOWER 22JUL2009	APV K. DOWHOWER 22JUL2009
mm	0 PLC ±	PRODUCT SPEC	108-2411	APPLICATION SPEC
	1 PLC ±0.13	SIZE	114-13279	WEIGHT
	2 PLC ±	SCALE	8:1	SHEET 1 OF 1
	3 PLC ±	CUSTOMER DRAWING		REV F

STE TE Connectivity

ASSEMBLY, PIN, 60 POSITION, MEZALOK STACKING CONNECTOR

A100779C=2102079