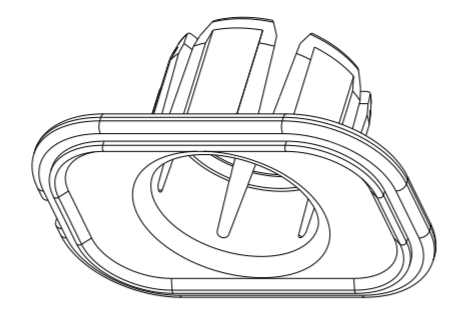
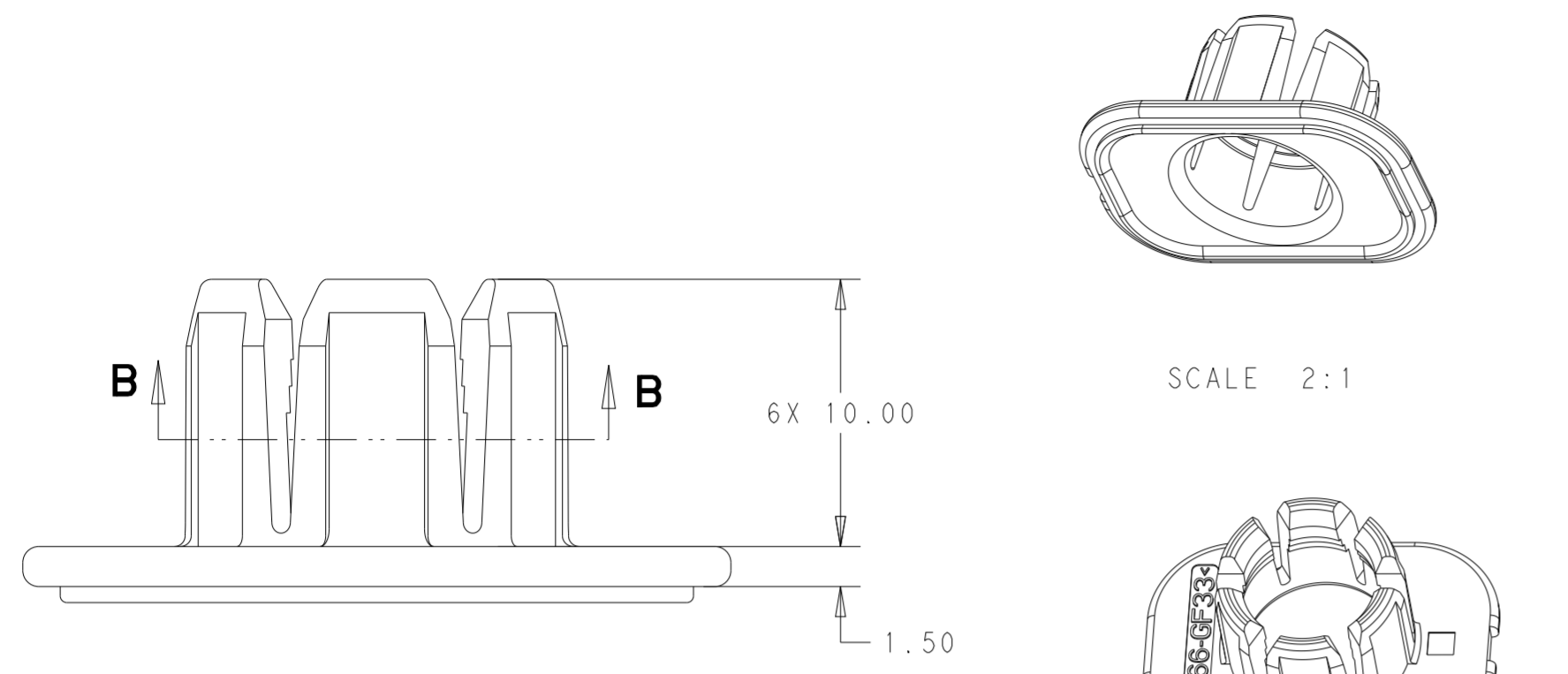
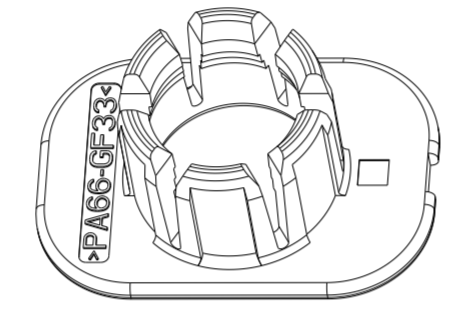


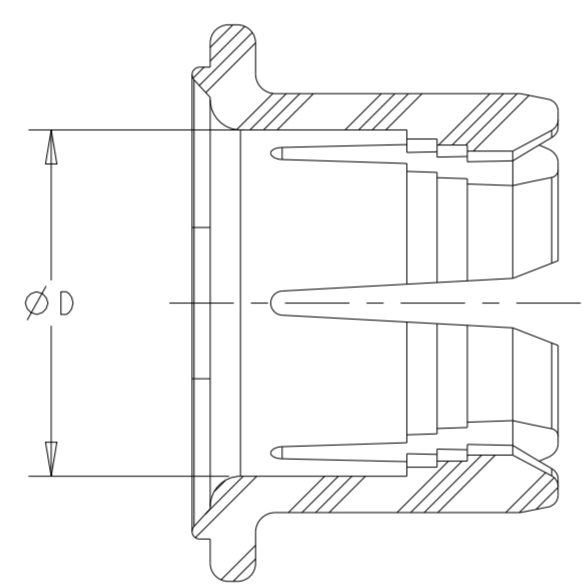
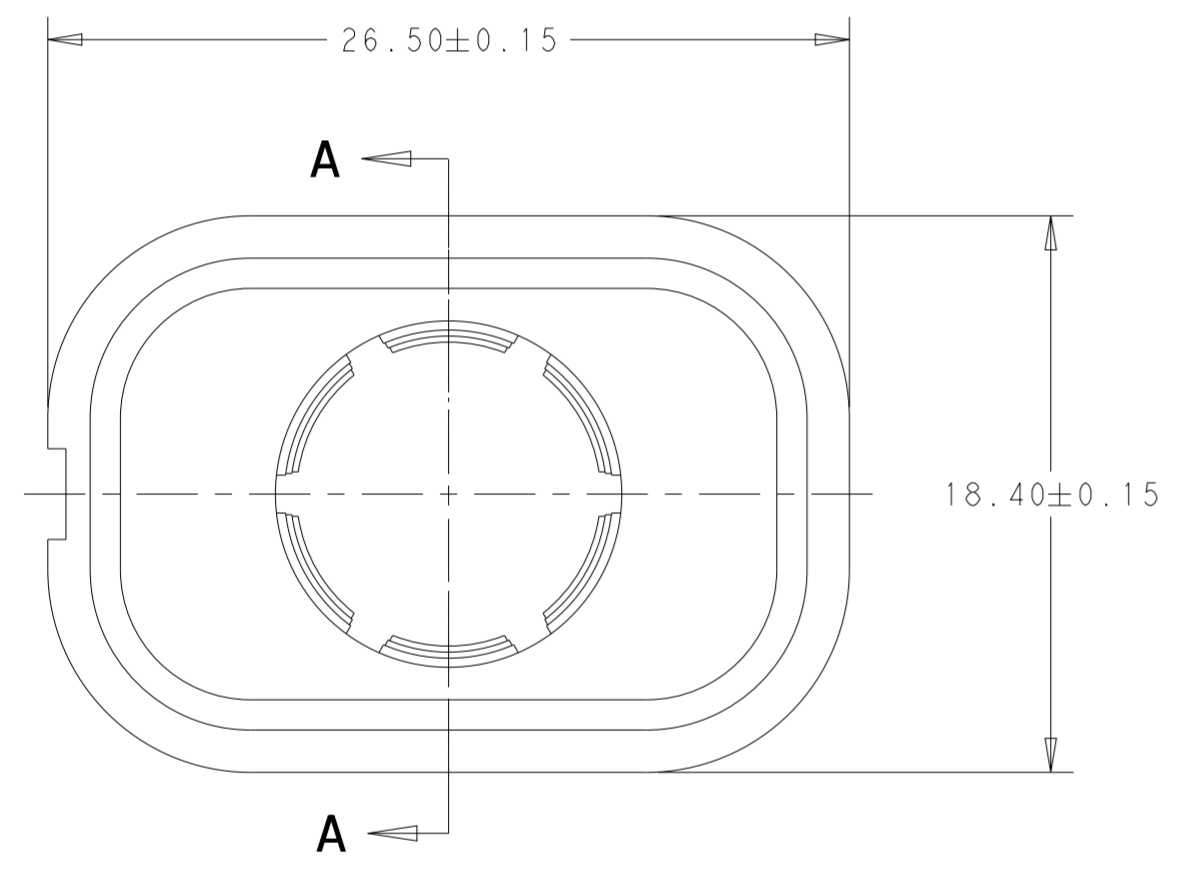
REVISIONS					
P	LTR	DESCRIPTION	DATE	DWN	APVD
A3		ECO-14-004886	31MAR2014	DR	DR
A4		ECN-23-169404	15MAR2023	SKM	SS



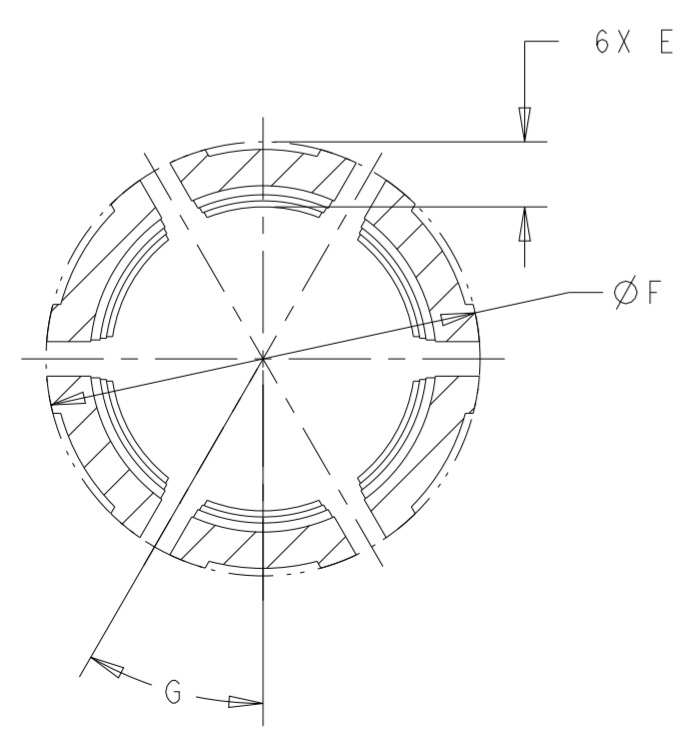
SCALE 2:1



SCALE 2:1

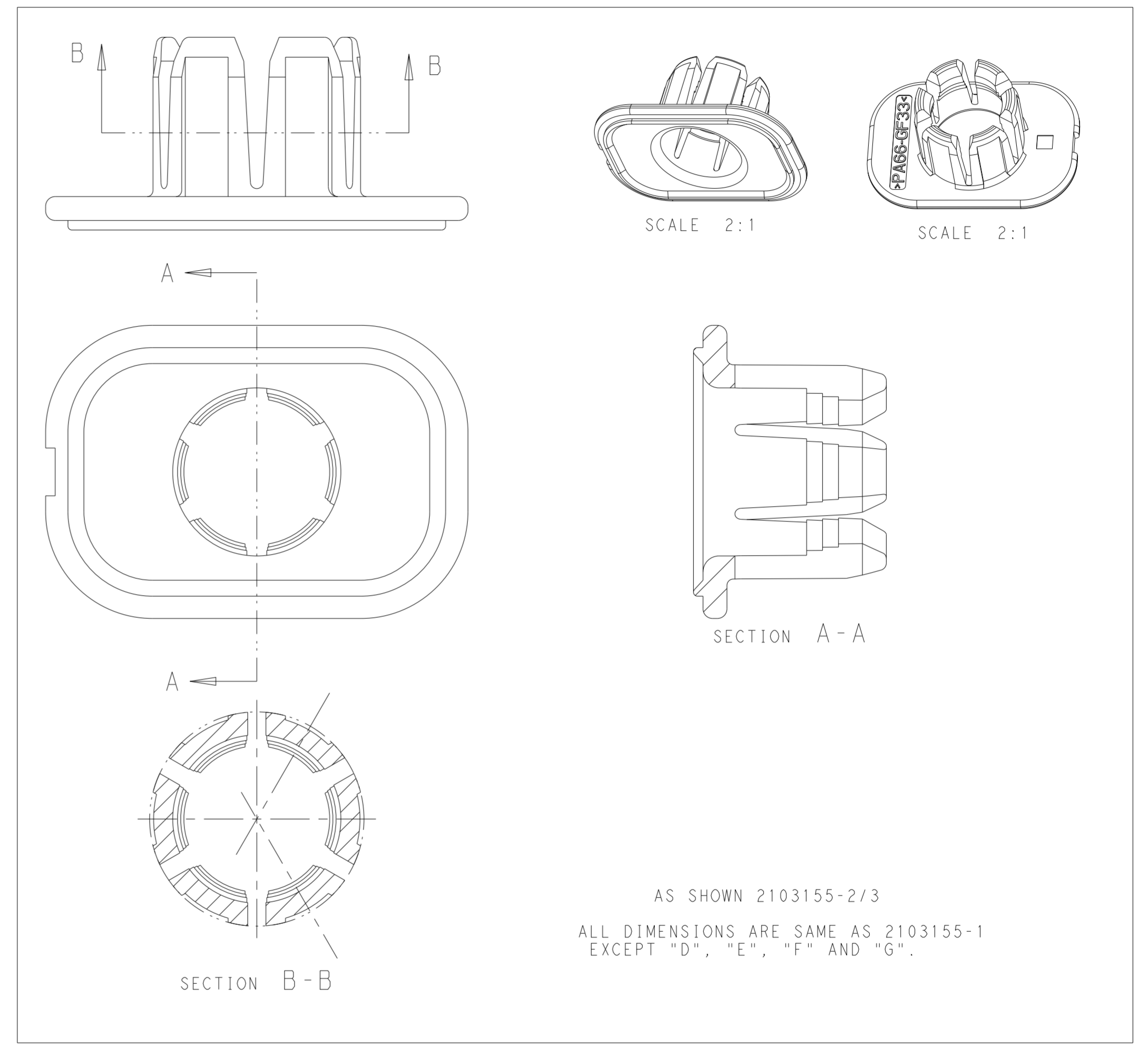


SECTION A-A



SECTION B-B

AS SHOWN 2103155-1



AS SHOWN 2103155-2/3  
 ALL DIMENSIONS ARE SAME AS 2103155-1 EXCEPT "D", "E", "F" AND "G".

60°	13.45	2.40	10.55	1.33g	NATURAL	9.30 - 10.10	A	2103155-3
60°	13.45	2.15	10.55	1.27g	BLACK	9.80 - 10.50	A	2103155-2
30°	14.35	2.15	11.45	1.27g	ORANGE	10.70 - 11.40	A	2103155-1
G	F	E	D	WEIGHT	COLOR	CABLE Ø	REV	PART NO

1 MATERIAL:  
 TYPE: PA66 33%GF  
 COLOR: SEE TABLE  
 2. NOTED DELETED

THIS DRAWING IS A CONTROLLED DOCUMENT.

DWN	D. RHEIN	07DEC2010	 TE Connectivity			
CHK	D. RHEIN	23MAR2011				
APVD	J. BOLEWITZ	23MAR2011				
NAME	COLLET HVA280 MULTI-CORE					
DIMENSIONS:	mm	TOLERANCES UNLESS OTHERWISE SPECIFIED:	SIZE	CAGE CODE	DRAWING NO	RESTRICTED TO
0 PLC	±	±0.2	A2	00779	C-2103155	
1 PLC	±	±0.10	SCALE	4:1	SHEET	1 OF 1
2 PLC	±	±	CUSTOMER DRAWING		REV	A4
3 PLC	±	±				
4 PLC	±	±5				
ANGLES						
FINISH						