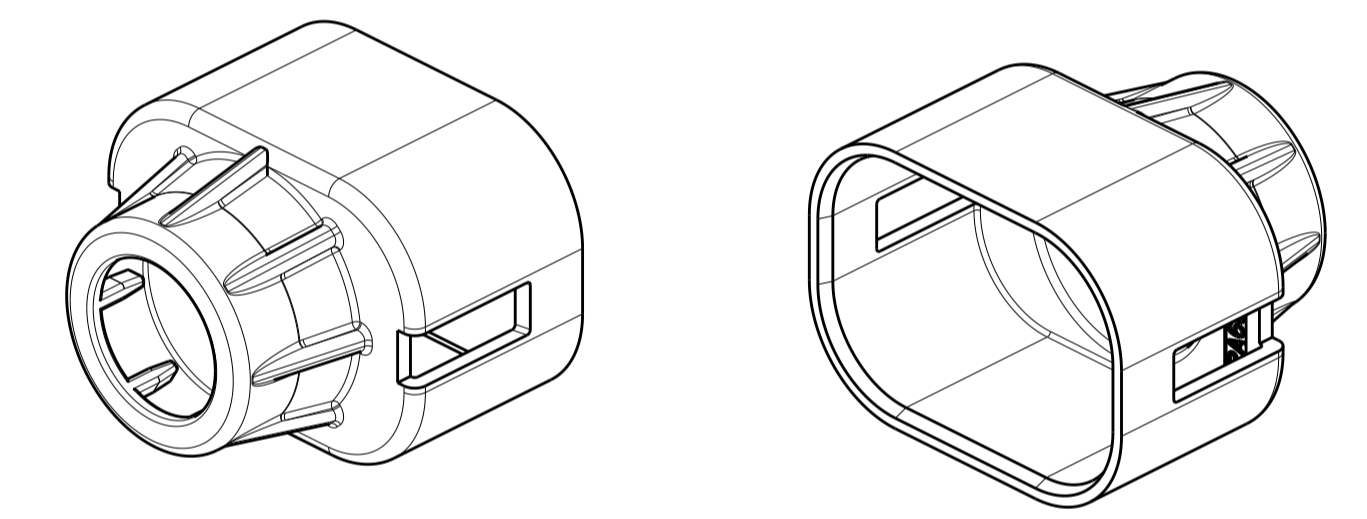
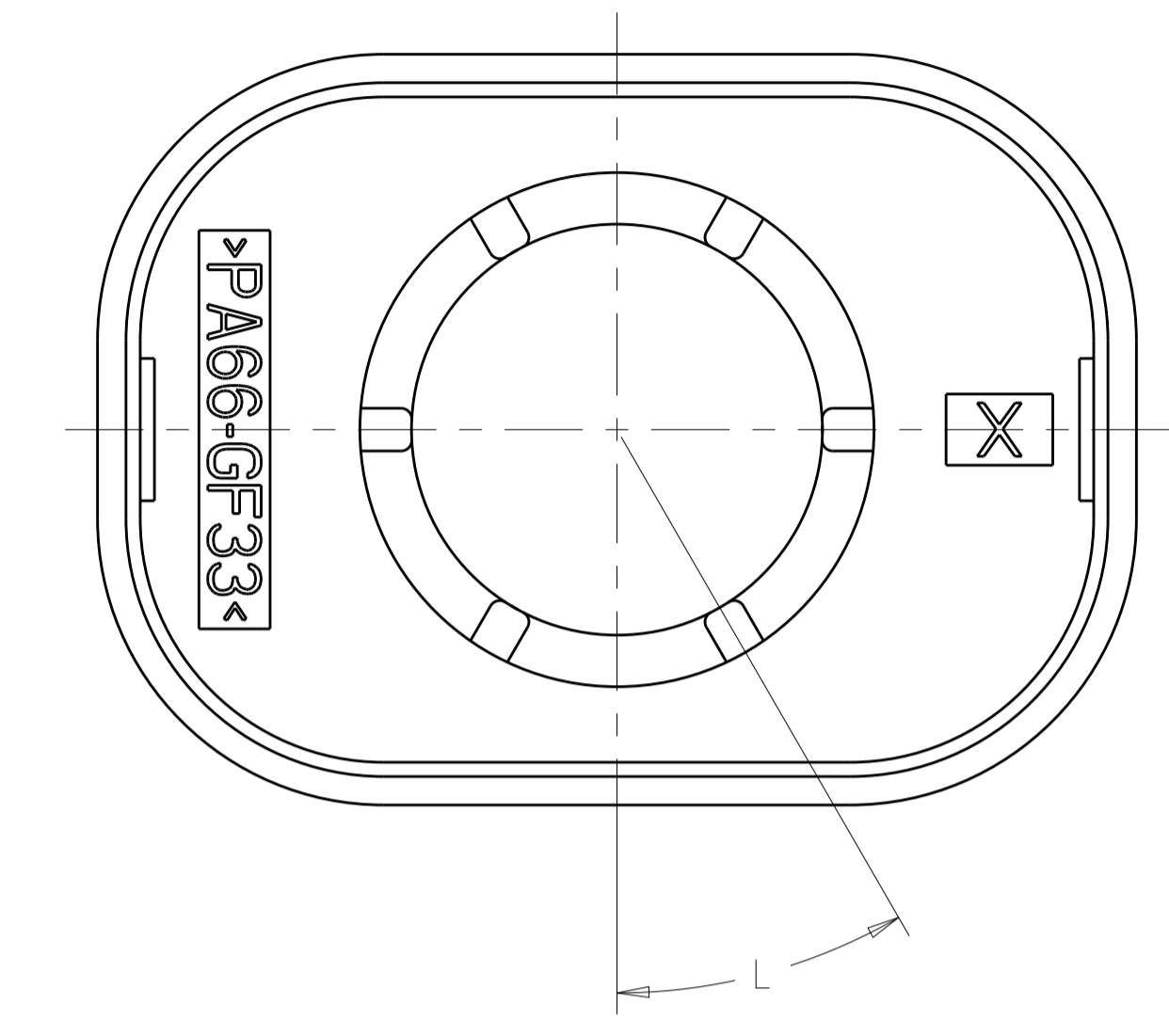
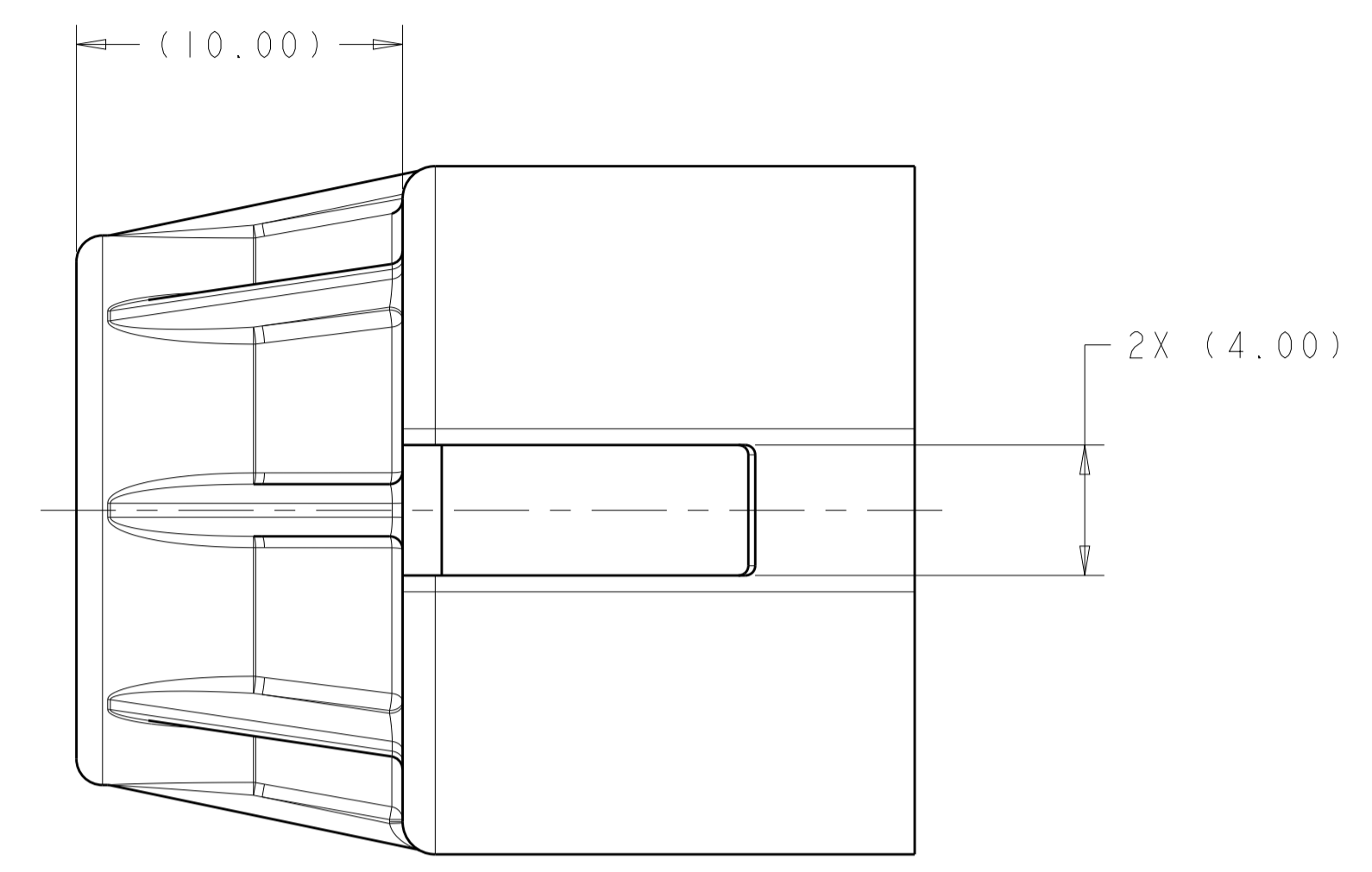
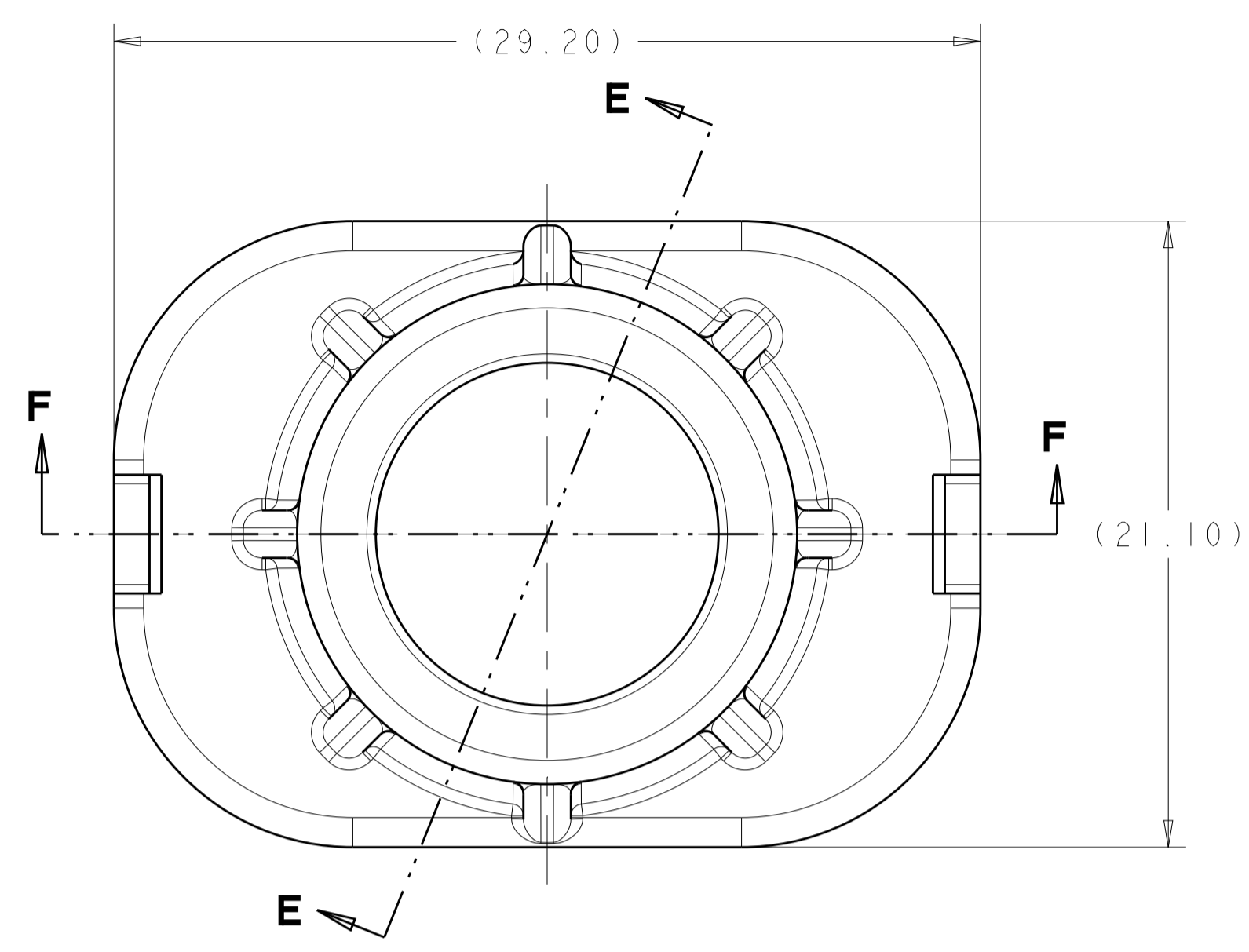
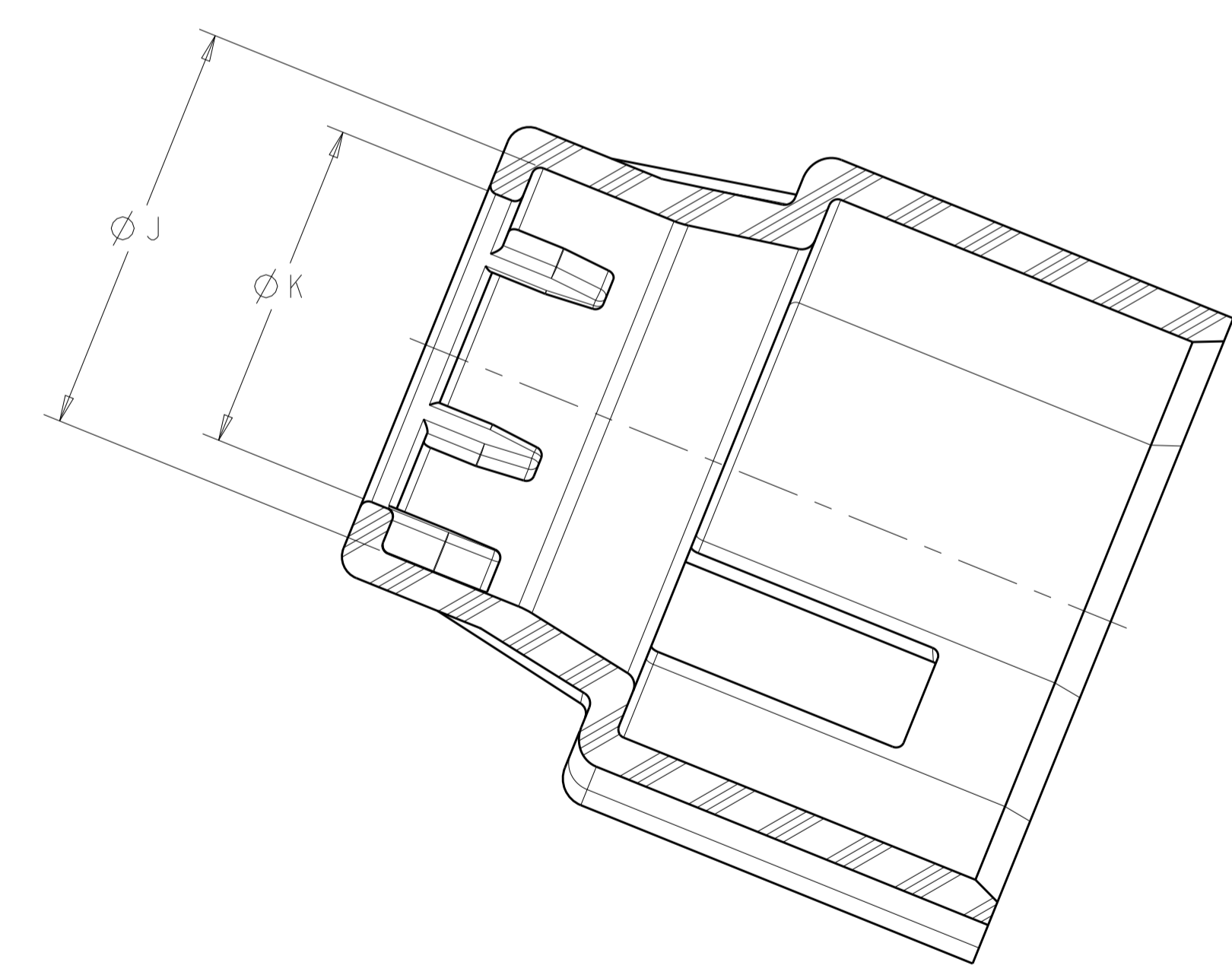


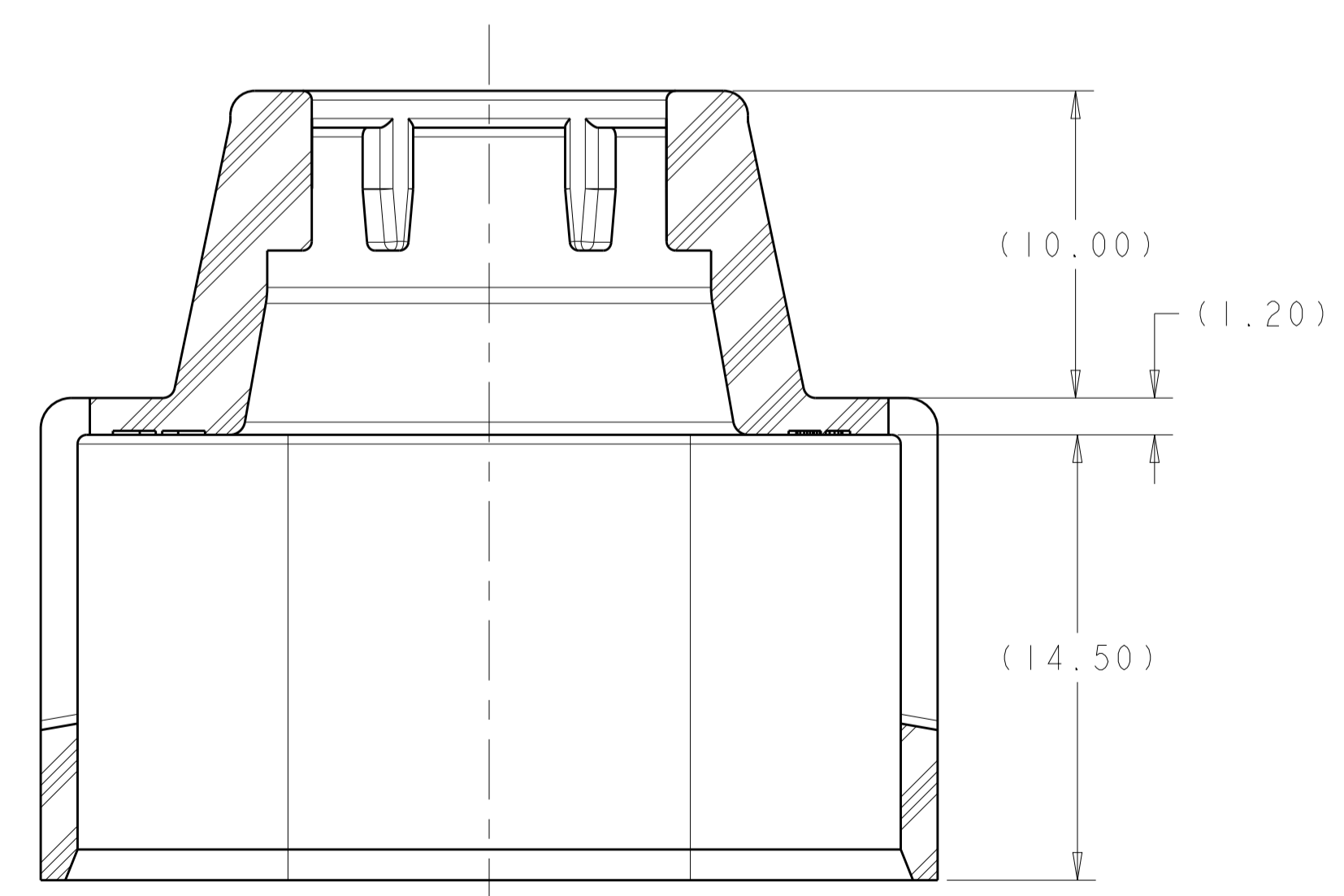
LOC		DIST		REVISIONS			
P	LTN	DESCRIPTION	DATE	DWN	APVD		
2		REVISED AND REDRAWN	07DEC2011	AD	AD		
3		ECO-12-009910	24MAY2012	AD	AD		
A		ECO-13-016675	24OCT2013	DR	DR		



SCALE 2:1



SECTION E-E



SECTION F-F

MATERIAL:
 TYPE: PA66 33%GF
 COLOR: SEE TABLE

60°	10.50	13.55	3.68g	ORANGE	2103168-3
60°	10.50	13.55	3.68g	BLACK	2103168-2
30°	11.55	14.45	3.48g	ORANGE	2103168-1
L	K	J	WEIGHT	COLOR	PART NO

THIS DRAWING IS A CONTROLLED DOCUMENT.

DWN: D SIMPSON 12MAY2011
 CHK: A DE CHAZAL 12MAY2011
 APVD: J ROEWITZ 12MAY2011

STE TE Connectivity

NAME: CABLE SEAL RETAINER, HVA280 MULTI-CORE

PRODUCT SPEC: APPLICATION SPEC

SIZE: CAGE CODE: DRAWING NO: RESTRICTED TO

MATERIAL: FINISH: WEIGHT: SEE TABLE A100779C=2103168

Customer Drawing SCALE 5:1 SHEET 1 OF 1 REV A