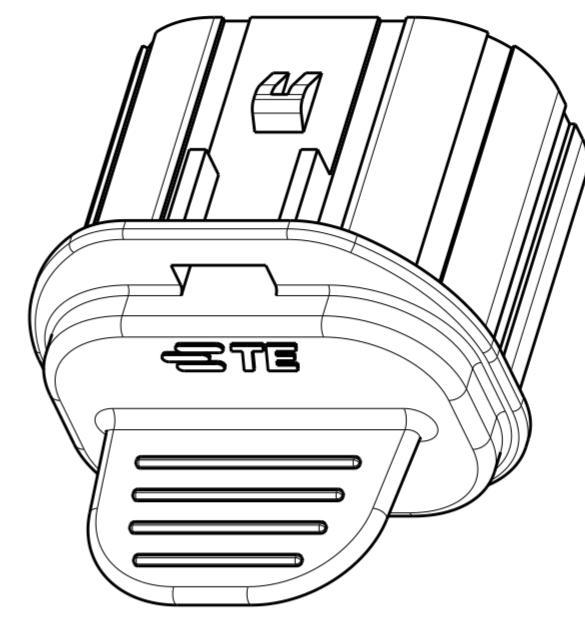
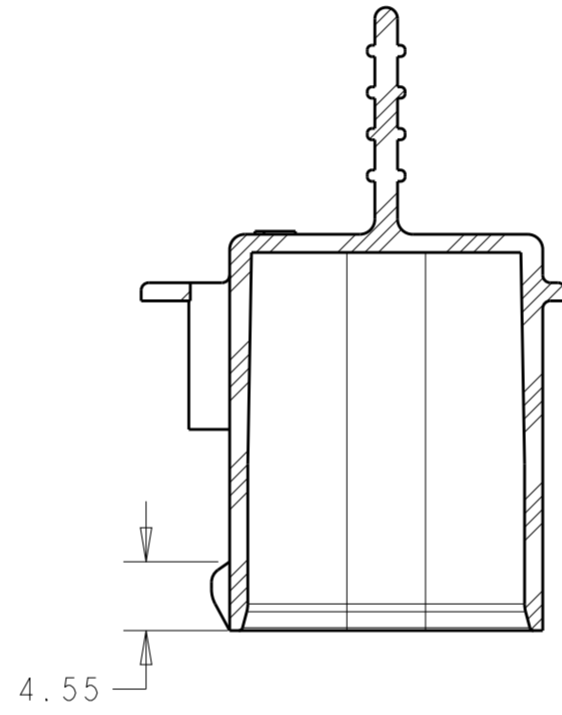
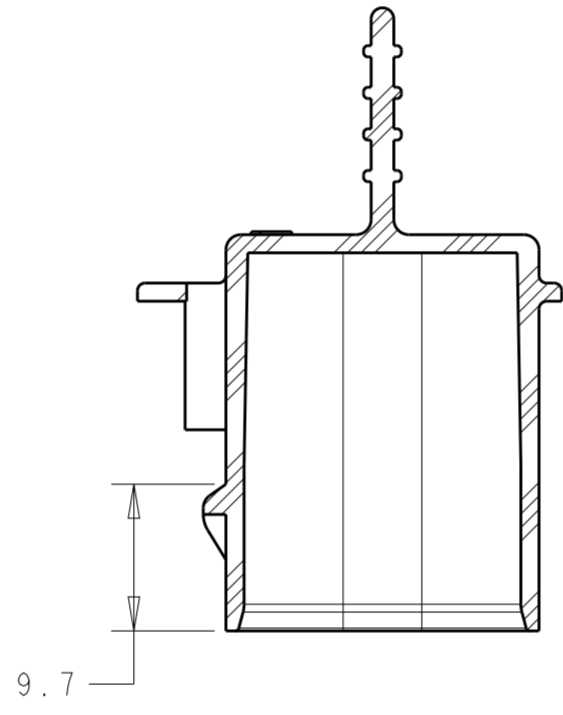
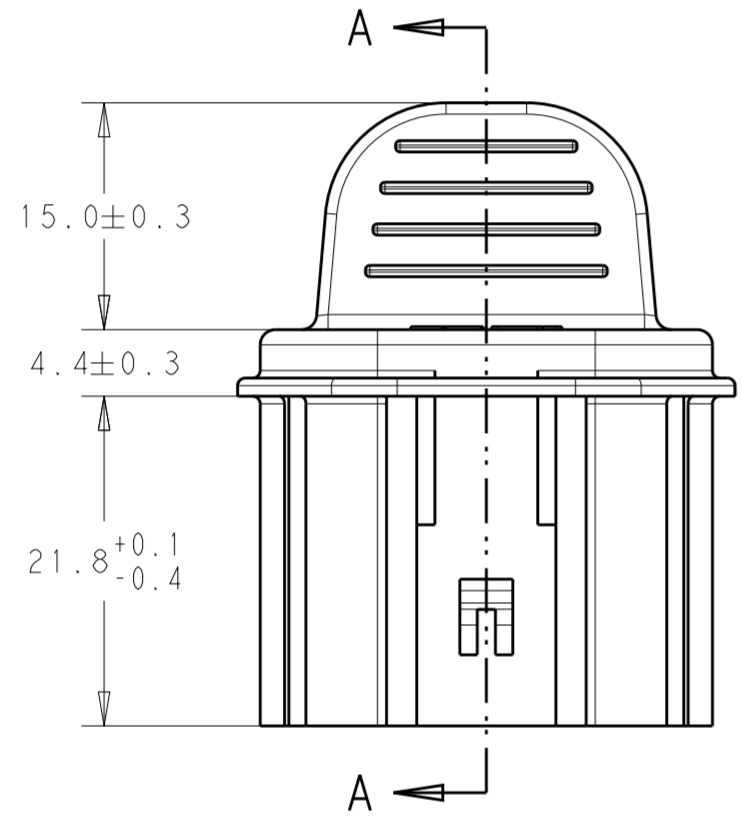
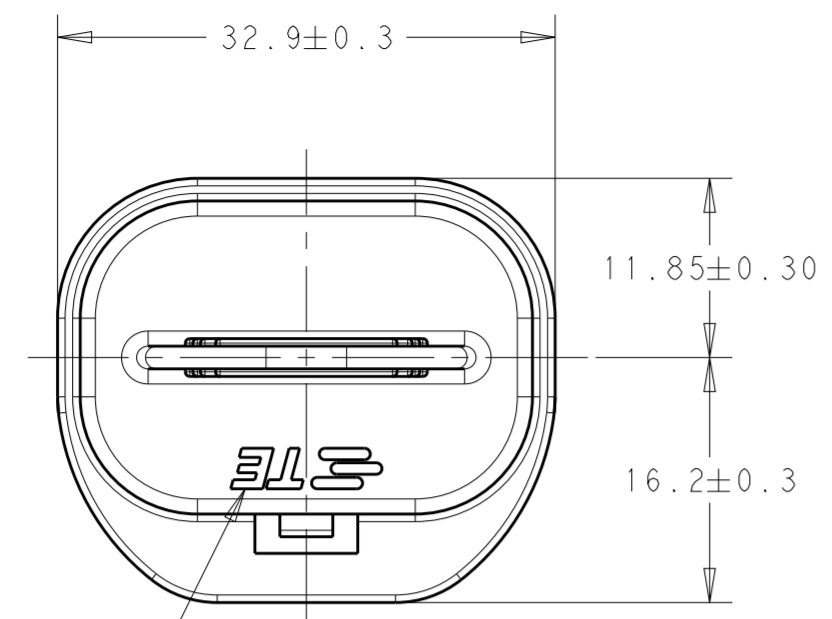
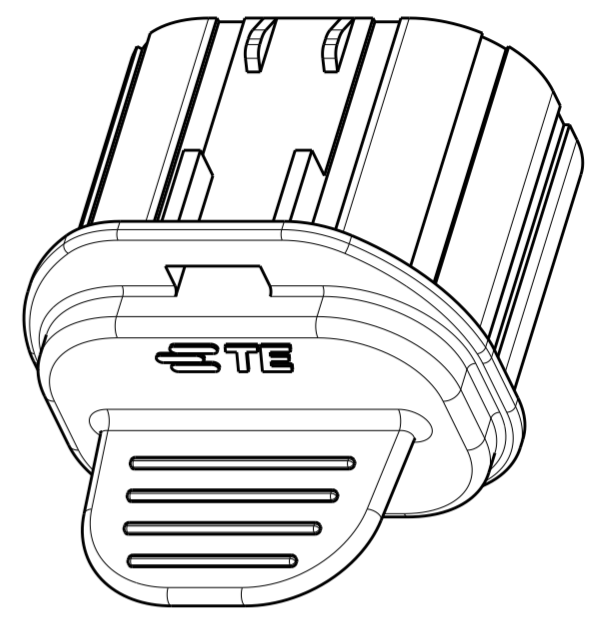


THIS DRAWING IS UNPUBLISHED. RELEASED FOR PUBLICATION 20
 © COPYRIGHT 20 BY TYCO ELECTRONICS CORPORATION ALL RIGHTS RESERVED.

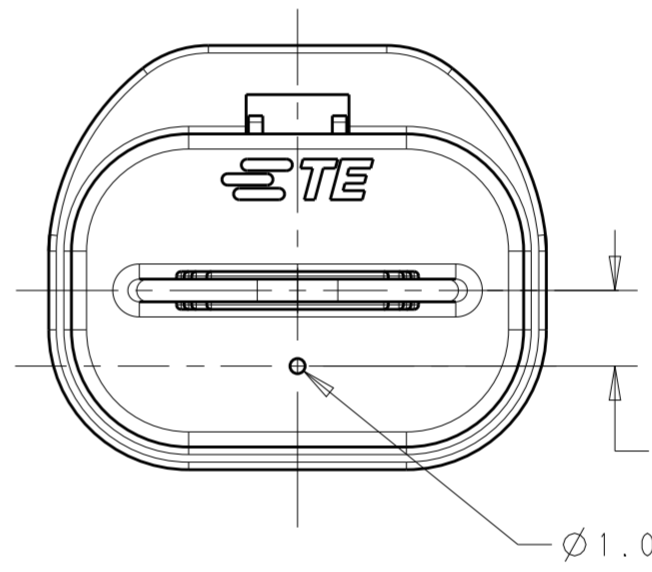
REVISIONS					
P	LTR	DESCRIPTION	DATE	DWN	APVD
A1		ECO-14-016157	24OCT2014	DR	DR
A2		ECO-15-004945	30MAR2015	YS	DR
A3		ECO-19-017852	14NOV2019	SKR	YS



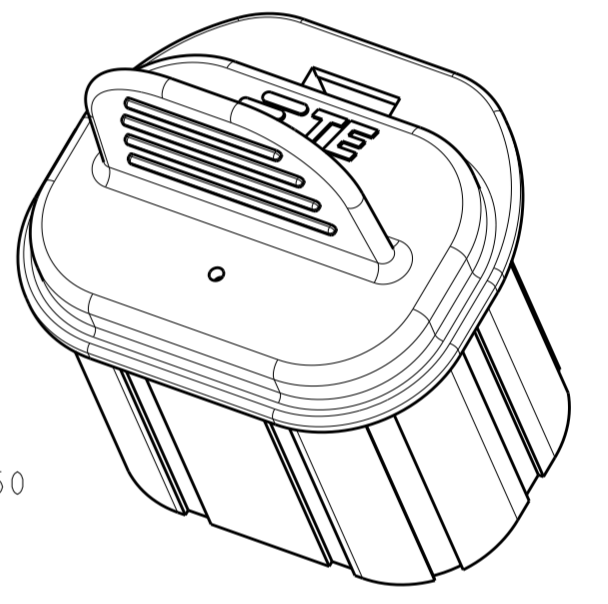
2103414-1



2103414-2

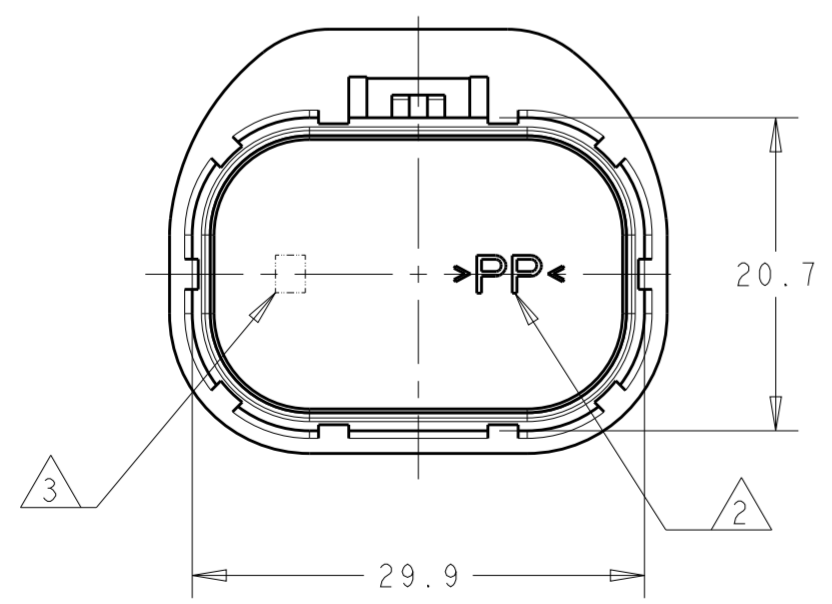


2103414-3



2103414-3

ALL OTHER FEATURES AND DIMENSIONS IDENTICAL TO 2103414-2



2103414-1 SHOWN

- 1 MATERIAL:
TYPE: POLYPROPYLENE UNFILLED
COLOR: SEE TABLE
- 2 RECYCLE CODE ">PP<"
- 3 MOLD CAVITY I.D.
- 4 TE CONNECTIVITY TRADE MARK

WEIGHT	COLOR	DESCRIPTION	REV	PART NO
3.23 g	BLACK	SHIPPING CAP TYPE 2A	A	2103414-3
3.23 g	BLACK	SHIPPING CAP TYPE 2	A	2103414-2
3.24 g	NATURAL	SHIPPING CAP TYPE 1	A	2103414-1

THIS DRAWING IS A CONTROLLED DOCUMENT.		DWN D. RHEIN 14NOV2012	TE Connectivity	
DIMENSIONS: mm		CHK D. RHEIN 14NOV2012		
TOLERANCES UNLESS OTHERWISE SPECIFIED:		APVD A. GUANCO 14NOV2012	NAME SHIPPING CAP, PLUG, HVA280	
0 PLC ± 1 PLC ±0.2 2 PLC ±0.10 3 PLC ± 4 PLC ± ANGLES ±1° FINISH		PRODUCT SPEC	SIZE CAGE CODE DRAWING NO RESTRICTED TO	
MATERIAL 1		APPLICATION SPEC	A200779C-2103414	
		WEIGHT SEE TABLE	SCALE 1:1 SHEET 1 OF 1 REV A3	
		Customer Drawing		