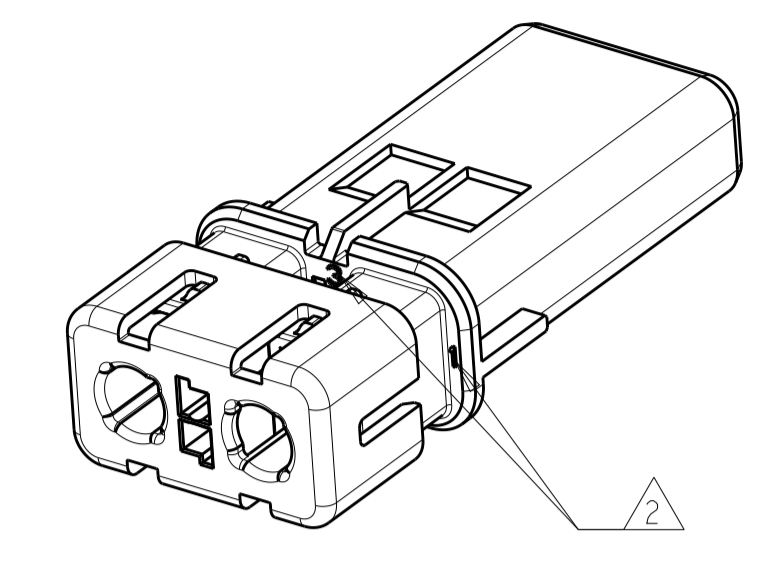
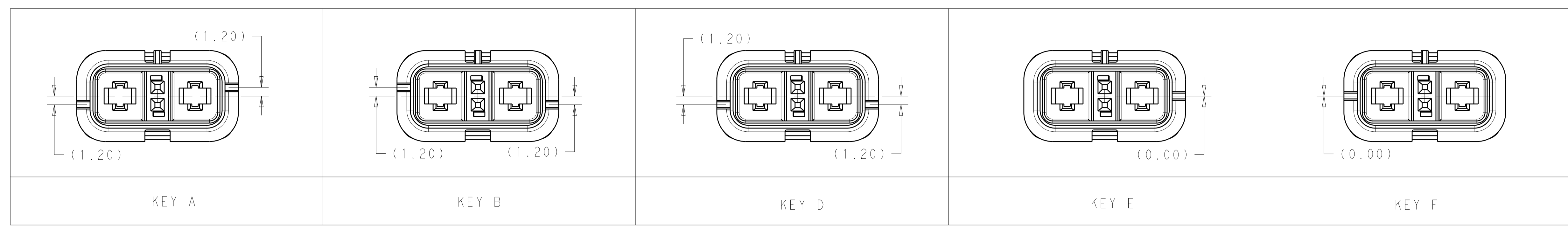
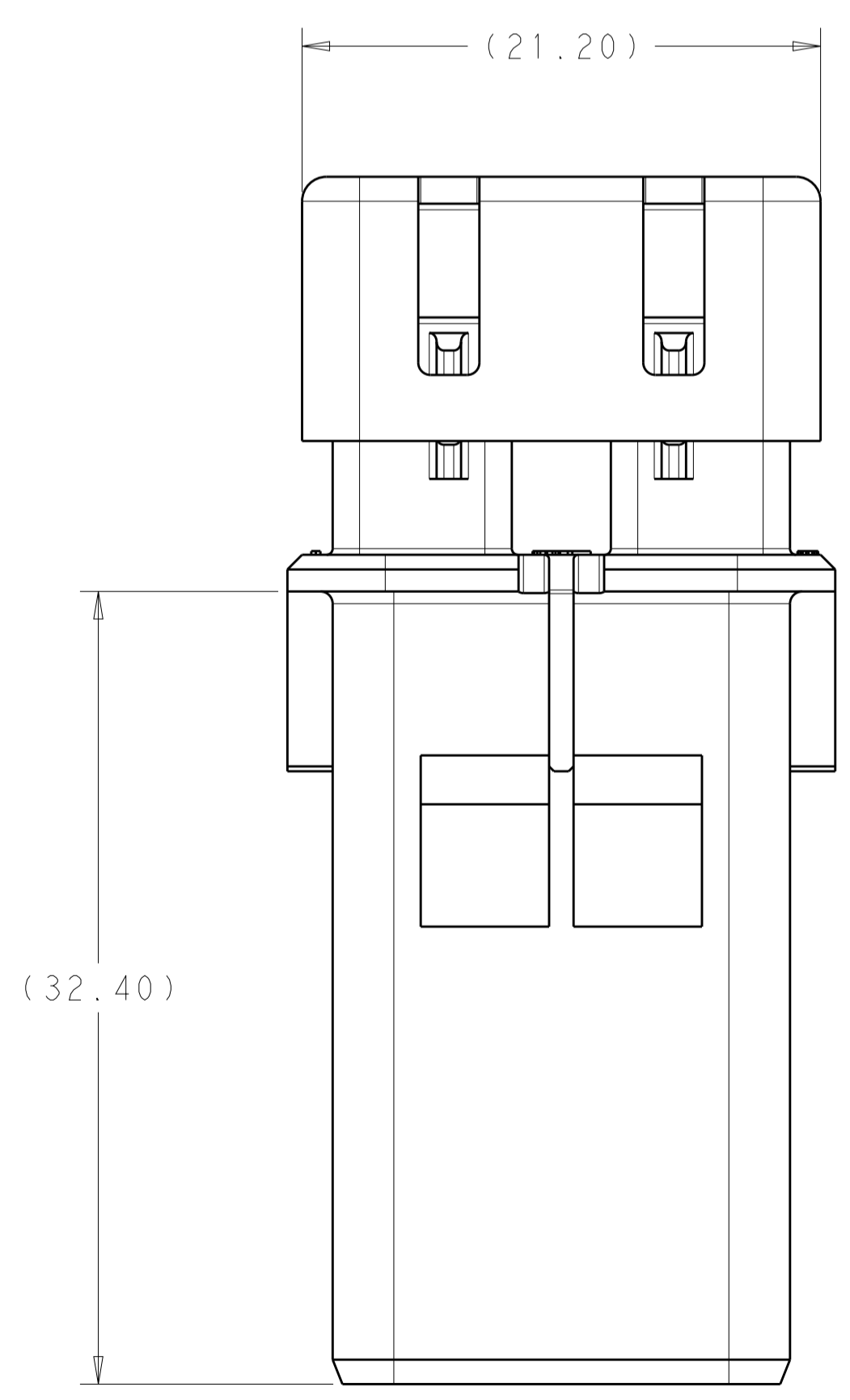
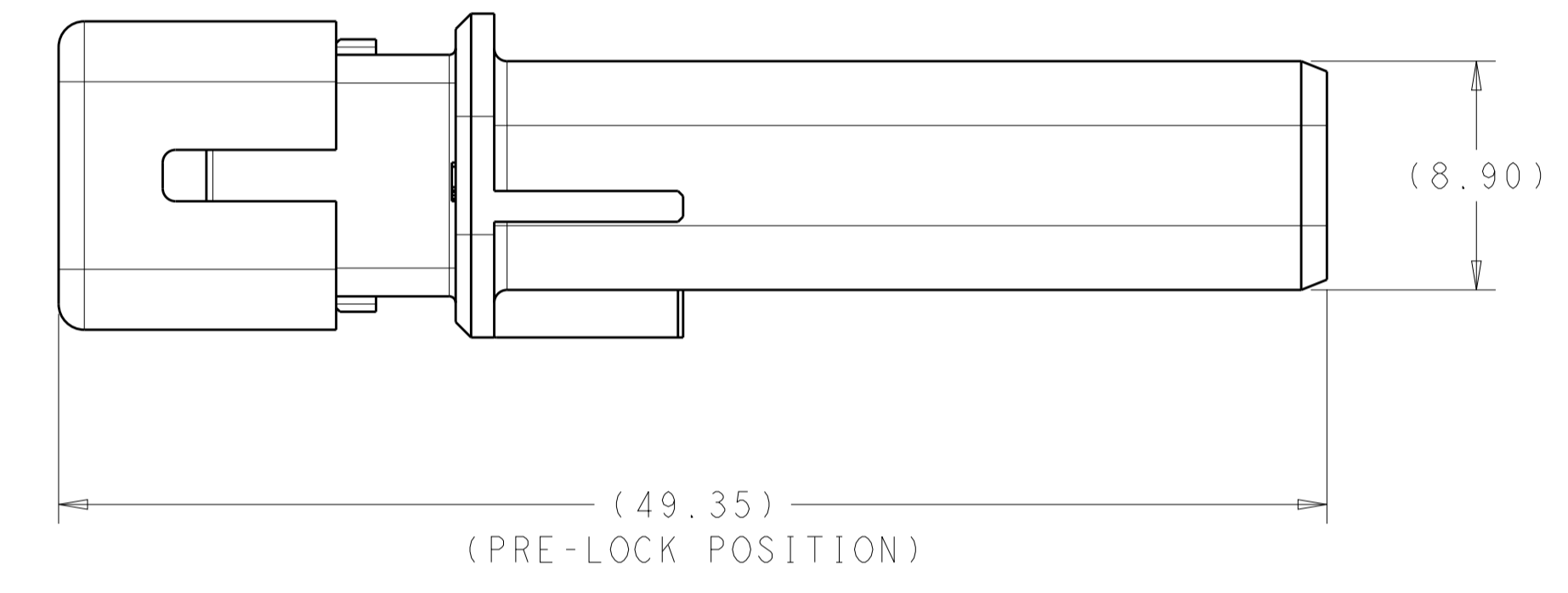
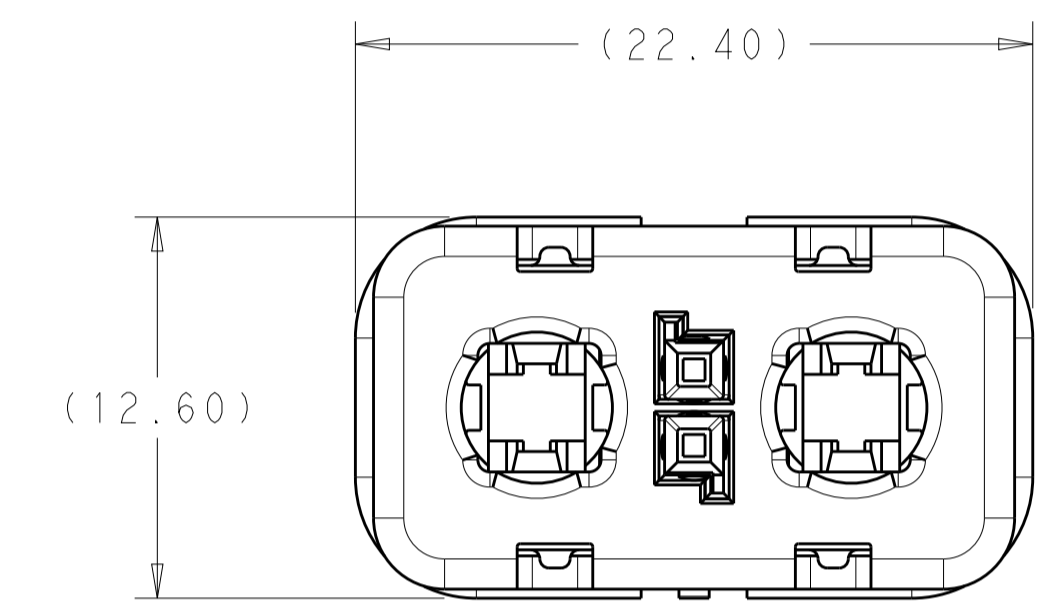
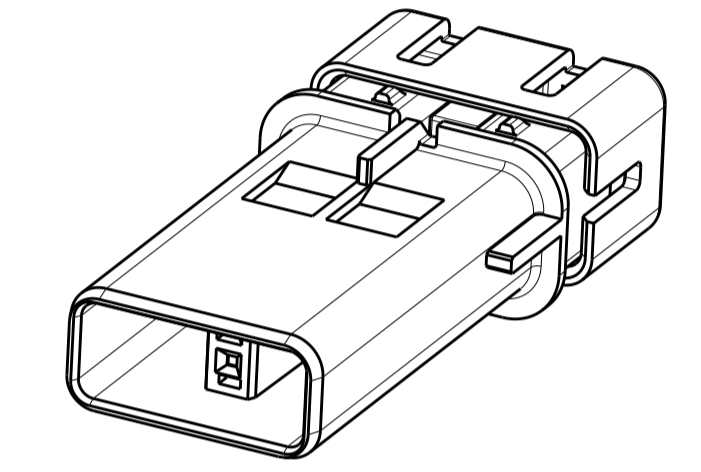


REVISIONS				
P.	LTR.	DESCRIPTION	DATE	APVD.
A		ECO-15-006680	30APR2015	DS TD
A1		ECO-16-001200	27JAN2016	YS TD



ISOMETRIC VIEWS  
SCALE 2:1



△ MATERIAL: PA66 25%GF FR  
 △ CIRCUIT I.D. CHARACTERS RAISED AS SHOWN

WEIGHT (g)	DESCRIPTION	P/N
6.06	INNER HOUSING ASSY - KEY F	2103722-6
6.08	INNER HOUSING ASSY - KEY E	2103722-5
6.15	INNER HOUSING ASSY - KEY D	2103722-4
6.10	INNER HOUSING ASSY - KEY B	2103722-2
6.15	INNER HOUSING ASSY - KEY A	2103722-1

THIS DRAWING IS A CONTROLLED DOCUMENT.		OWN T. DEWITTE 02APR2014	
DIMENSIONS: mm		CHK T. DEWITTE 02APR2014	
TOLERANCES UNLESS OTHERWISE SPECIFIED:		APVD A. GUANCO 03APR2014	NAME INNER HOUSING ASSEMBLY, HVA280, 2PHX HEADER W/TPA
0 PLC ± 1 PLC ±0.15 2 PLC ±0.1 3 PLC ±0.05 4 PLC ± ANGLES ±1°		PRODUCT SPEC APPLICATION SPEC WEIGHT SEE TABLE CUSTOMER DRAWING	
MATERIAL △		SIZE CAGE CODE DRAWING NO A100779C=2103722	RESTRICTED TO SCALE 3:1 SHEET 1 OF 1 REV A1