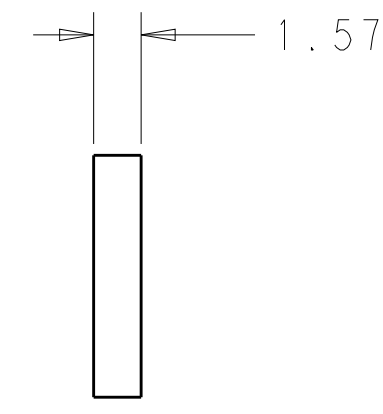
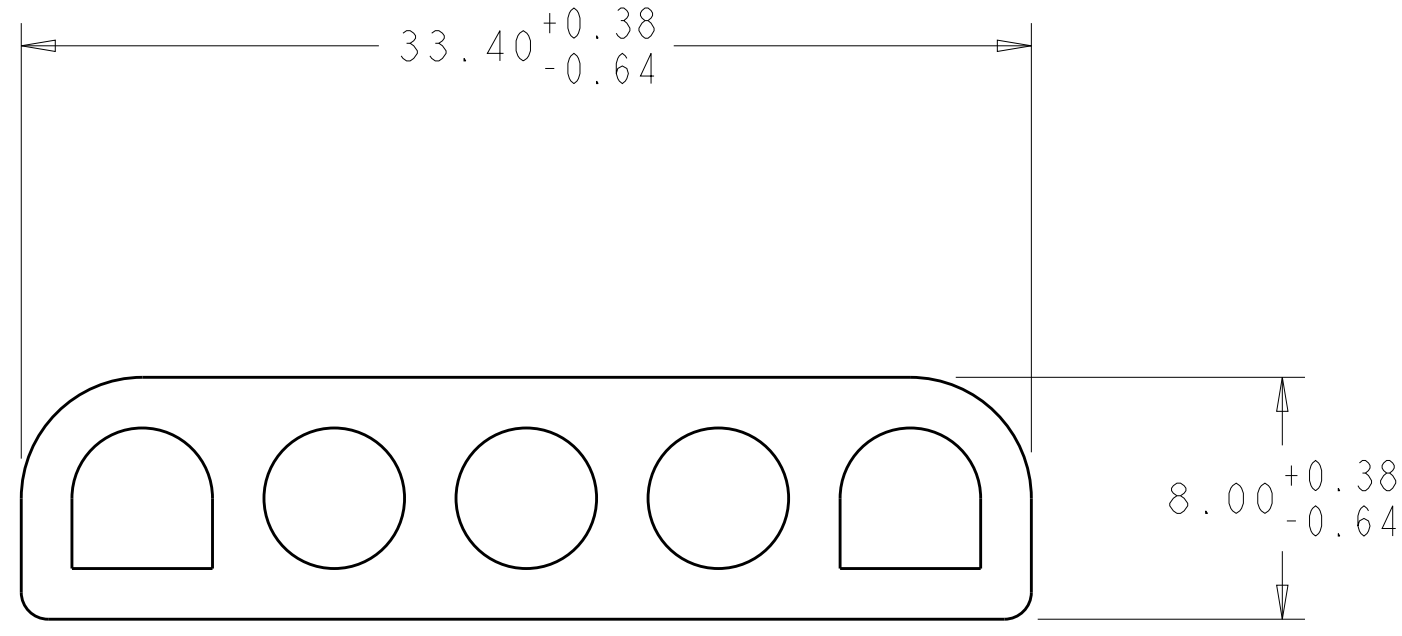


THIS DRAWING IS UNPUBLISHED. RELEASED FOR PUBLICATION 20
 © COPYRIGHT 20 BY - ALL RIGHTS RESERVED.

REVISIONS				
P	LTR	DESCRIPTION	DATE	APVD
	A	REVISED PER ECR-10-016197	06AUG2010	HMR DD
	A1	REVISED PER ECR-15-002315	12FEB2015	RS DD
	A2	REVISED PER ECR-16-016649	29DEC2016	RK AS

- 1. MATERIAL: MEDIUM CLOSED CELL SILICONE FOAM, BLACK, SUPPLIED ON MYLAR TAPE.
- 2. COMPLIES WITH DIRECTIVE 2002/95/EC (ROHS).
- 3. THIS PRODUCT HAS NOT COMPLETED VALIDATION TESTING.
- 4. MATERIAL: SOFT CLOSED CELL SILICONE FOAM, BLACK, SUPPLIED ON MYLAR TAPE.



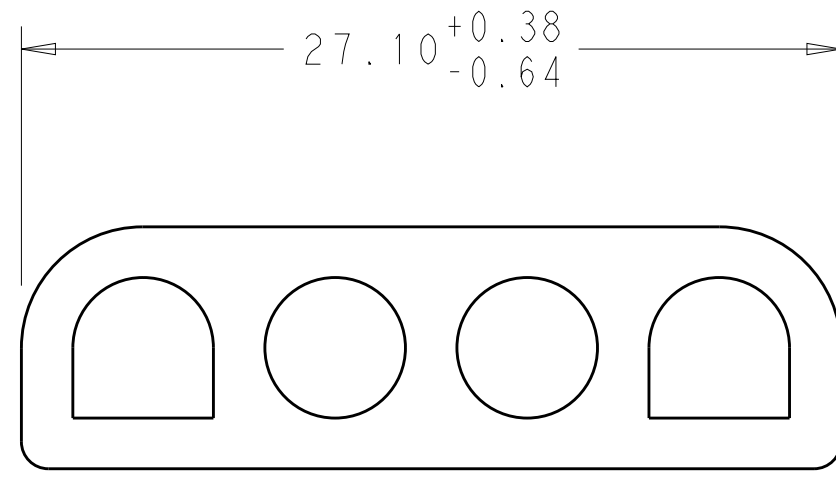
2106749-5

1	5	2106749-5
1	4	2106749-4
1	3	2106749-3
1	2	2106749-2
4	4	2106749-1
MATERIAL	NUMBER OF CIRCUITS	PART NUMBER

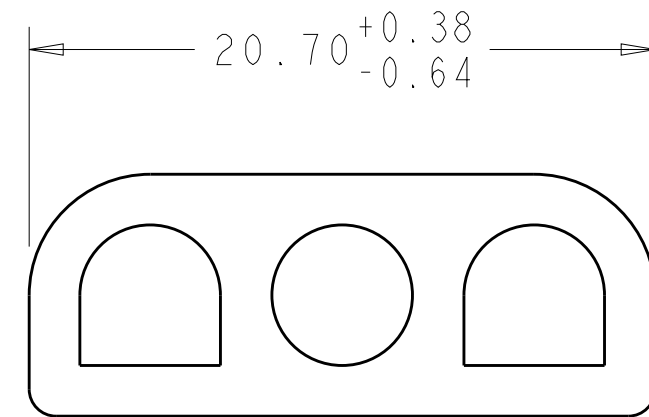
THIS DRAWING IS A CONTROLLED DOCUMENT.		DWN R BROWN 03NOV2009	TE Connectivity	
		CHK B CHANEY 03NOV2009		
DIMENSIONS:	TOLERANCES UNLESS OTHERWISE SPECIFIED:	APVD	NAME	
mm	0 PLC ± 1 PLC ± 2 PLC ±0.51 3 PLC ± 4 PLC ±	-	SEAL, INTERFACE, UNIVERSAL MATE-N-LOK	
	ANGLES ± FINISH -	PRODUCT SPEC	-	
MATERIAL	SEE TABLE	APPLICATION SPEC	SIZE	RESTRICTED TO
		WEIGHT	A200779	-
		CUSTOMER DRAWING	DRAWING NO	
			C-2106749	
			SCALE 4:1	SHEET 1 OF 2
				REV A2

THIS DRAWING IS UNPUBLISHED. RELEASED FOR PUBLICATION 20
 © COPYRIGHT 20 BY - ALL RIGHTS RESERVED.

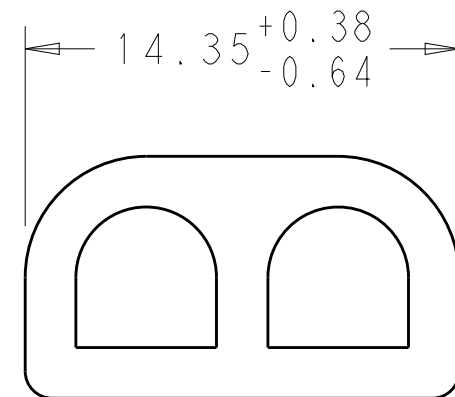
REVISIONS				
P	LTR	DESCRIPTION	DATE	APVD
-		SEE SHEET 1	-	-



2106749-1 AND 2106749-4



2106749-3



2106749-2

ALL DIMENSIONS SAME AS 2106749-5
EXCEPT AS NOTED

THIS DRAWING IS A CONTROLLED DOCUMENT.		DWN R BROWN 03NOV2009	STE TE Connectivity	
		CHK B CHANEY 03NOV2009		
DIMENSIONS: mm		APVD -	NAME SEAL, INTERFACE, UNIVERSAL MATE-N-LOK	
TOLERANCES UNLESS OTHERWISE SPECIFIED: 0 PLC ± 1 PLC ± 2 PLC ±0.51 3 PLC ± 4 PLC ± ANGLES ± FINISH -		PRODUCT SPEC -	RESTRICTED TO -	
MATERIAL SEE TABLE		APPLICATION SPEC -	SIZE A200779	DRAWING NO C-2106749
		WEIGHT -	SCALE 1:1	SHEET 2 OF 2
		CUSTOMER DRAWING	REV A2	