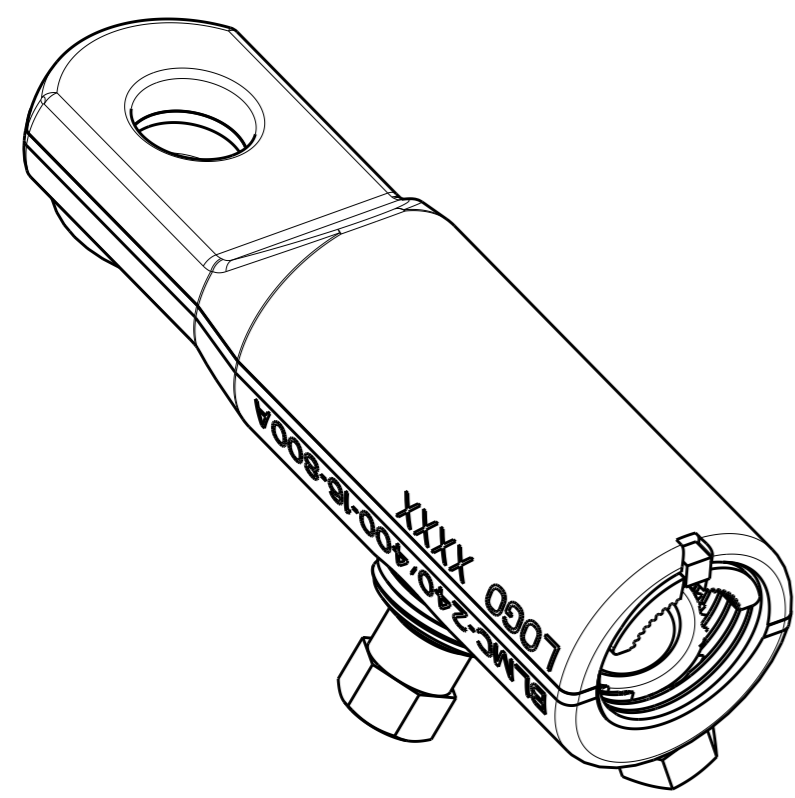
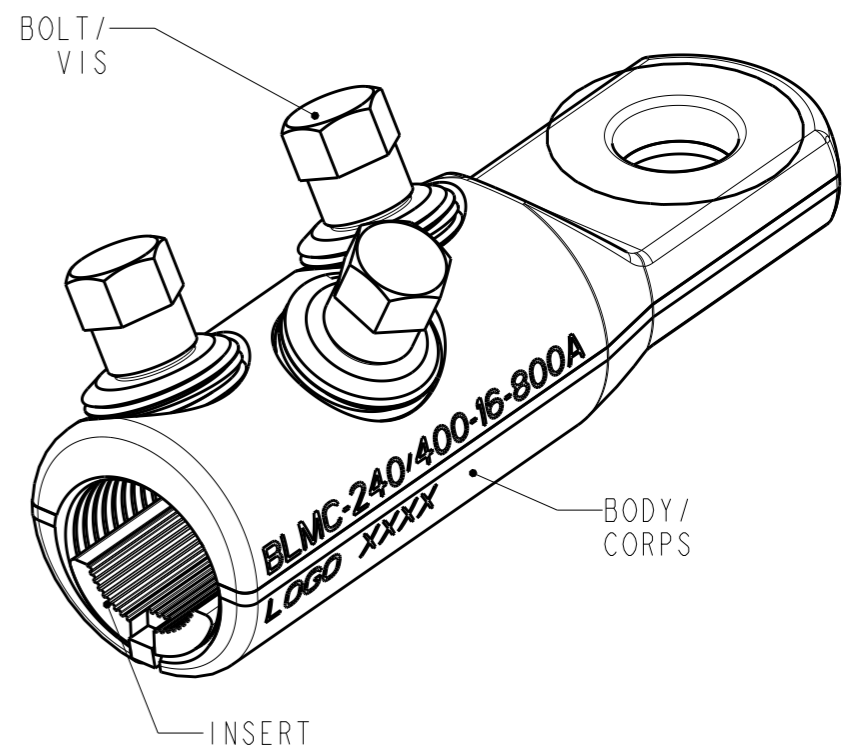
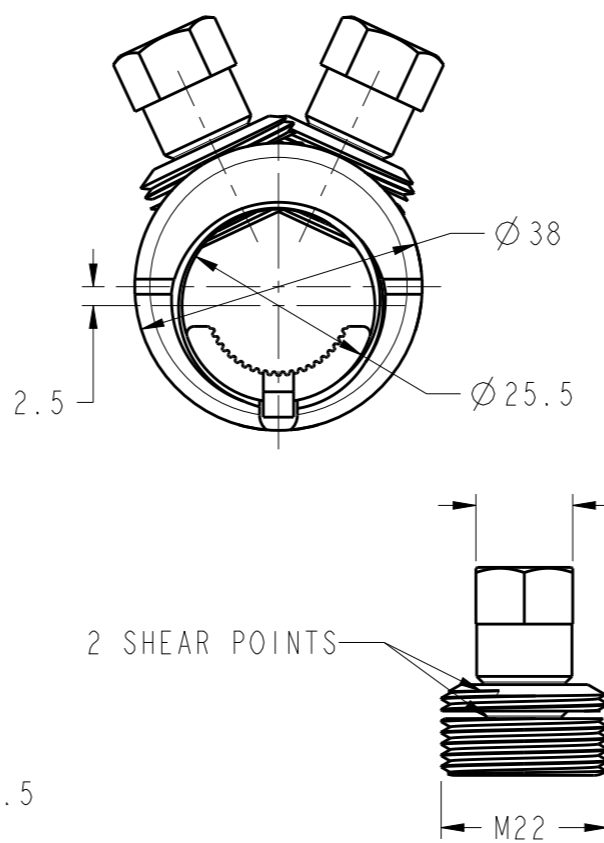
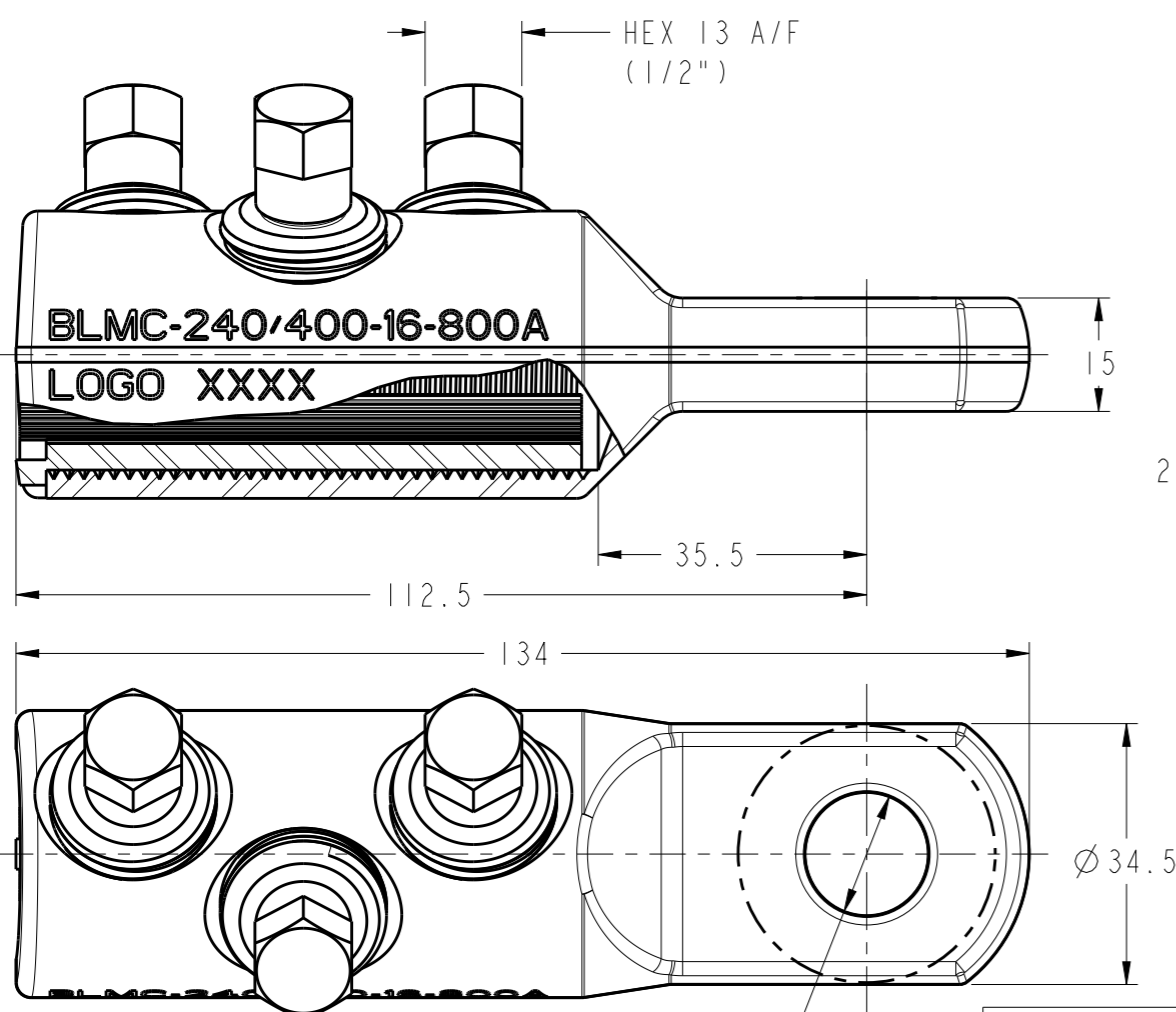


THIS DRAWING IS UNPUBLISHED. DIFFUSION RESTREINTE
 © COPYRIGHT20 BY -
 BLMC-240/400-16-800A 2107010-1
 DESCRIPTION TCPN

BLMC-240/400-16-800A	2107010-1
DESCRIPTION	TCPN

LOC	DIST	REVISIONS				
P	LTR REV	DESCRIPTION MODIFICATIONS	DATE	DWN DESS.	APVD APP.	
FH	2					
	I	CREATION (WAS P202418)	07MAY2009	BM	NA	
	A	DRAWING DIFFUSION	15APR2011	BM	NA	
	B	ECR-20-003097 HEAD REDUCES TO 13	13MAR2020	NB	AG	



	AL				CU	
	ROUND STRANDED /Circ. câblé /RM	ROUND SOLID /Circ. massif /RE	SECTOR STRANDED /Sectoral câblé /SM	SECTOR SOLID /Sectoral massif /SE	ROUND STRANDED /Circ. câblé /RM	SECTOR STRANDED /Sectoral câblé /SM
CONDUCTOR CROSS-SECTION /Section conducteur /Querschnittsbereich mm ²	240-400	240-400	240 (300 and 400 with rounding)	240 (300 with 90°)	240-400	240 (300 and 400 with rounding)
CONDUCTOR DIAMETER /Diamètre conducteur /Leiterdurchmesser mm	Ø17.6-Ø24.6	Ø16.7-Ø24.6	-	-	Ø17.6-Ø24.6	-

TOLERANCES UNLESS OTHERWISE SPECIFIED: -
 TOLERANCES NON SPECIFIEES: -

THIS DRAWING IS A CONTROLLED DOCUMENT. <small>CE PLAN EST UN DOCUMENT CONTROLE PAR TYCO ELECTRONICS CORPORATION. IL EST SUSCEPTIBLE D'ETRE REVISE. POUR OBTENIR LA DERNIERE REVISION, CONTACTER LE SERVICE TECHNIQUE DE TYCO ELECTRONICS SIMEL SAS, 21220 GEVREY-CHAMBERTIN, FRANCE.</small>		DWN/DESSINE 07MAY2009 B. MILLOT			
DIMENSIONS: mm		CHK/VERIFIE 07MAY2020 A. GUICHARD			
TOLERANCES UNLESS OTHERWISE SPECIFIED: (SUIV. NO. DE DECIMALES): 0 PLC/DEC: ± 1 PLC/DEC: ± 2 PLC/DEC: ± 3 PLC/DEC: ± 4 PLC/DEC: ± ANGLES ±		APVD/APPROUVE 07MAY2020 N. ALMEIDA	NAME TITRE BLMC-240/400-16-800A		
MATERIAL MATIERE AL ALLOY		FINISH FINITION TINNED	PRODUCT SPEC SPEC. PRODUIT -	SIZE FORMAT A3	RESTRICTED TO RESERVE A
		WEIGHT MASSE APPROX. 272 g	APPLICATION SPEC SPEC. APPLICATION -	CAGE CODE -	OF DE 1
			UNIQUEMENT POUR REFERENCE	DRAWING NO No PLAN C-2107010	REV B
			SCALE ECHELLE	SHEET FEUILLE	