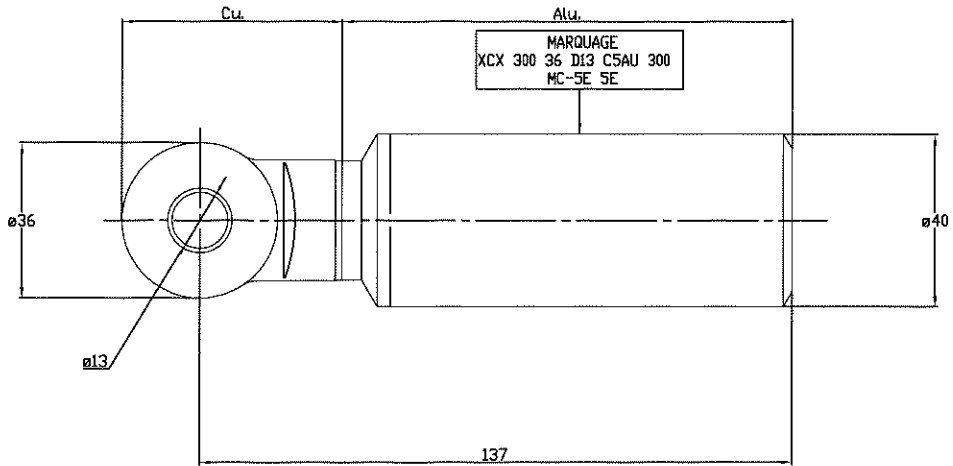
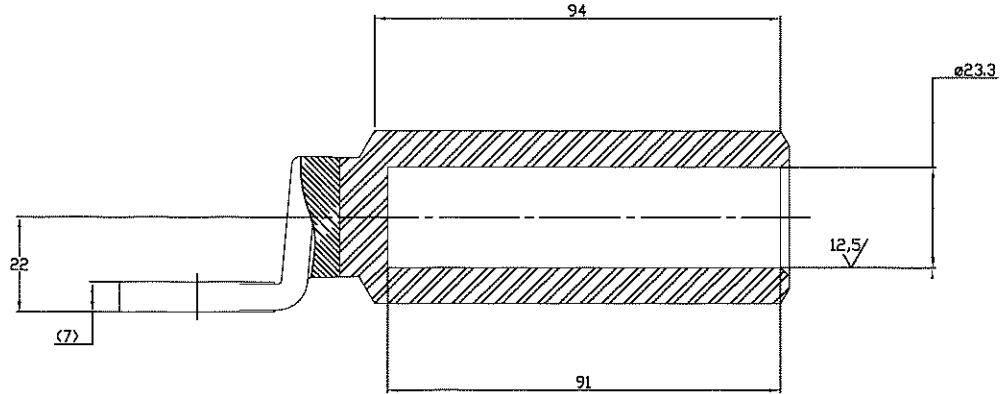


REVISIONS

P	LTR REV	DESCRIPTION MODIFICATIONS	DATE	DWN DESS.	APVD APPR
	A	Creation	07JUN2019	GC	NA
-	-	-	-	-	-



2 - Norme de référence: C 33-090-1/Reference standard C33-090-1

1 - MARQUAGE: LOGO LOT DESIGNATION OUTIL

MARKING: LOGO BATCH DESIGNATION DIE

OUTIL/DIE: MC-5E 5E


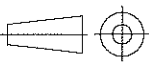
2107344-1

Part Number

THIS DRAWING IS UNPUBLISHED.

ALL RIGHTS RESERVED.

COPYRIGHT - By -

DIMENSIONS: mm	DWN/DESSINE G.CARLHIAN	07JUN2019	MATERIAL MATIERE	Alu/Cu	FINISH FINITION	-					
	CHK/VERIFIE F.HEBERT		 TE Connectivity								
TOLERANCES UNLESS OTHERWISE SPECIFIED: TOLERANCES NON SPECIFIEES SELON:	APVD/APPROUVE N.ALMEIDA	-					NAME TITRE				XCX 300-36 D13 C5AU300
	PRODUCT SPEC SPEC. PRODUIT	-	SIZE FORMAT				CAGE CODE	DRAWING NO No PLAN	RESTRICTED TO RESERVE A		
	APPLICATION SPEC SPEC. APPLICATION	-	A4				-	C=2107344			
	WEIGHT MASSE	0.38Kg	CUSTOMER DRAWING				SCALE ECHELLE	1:1	SHEET FEUILLE	1 OF DE 1	REV A