

THIS DRAWING IS UNPUBLISHED.
DIFFUSION RESTREINTE

RELEASED FOR PUBLICATION
LIBRE A LA DIFFUSION

20

© COPYRIGHT 20

ALL RIGHTS RESERVED.
TOUS DROITS RESERVES

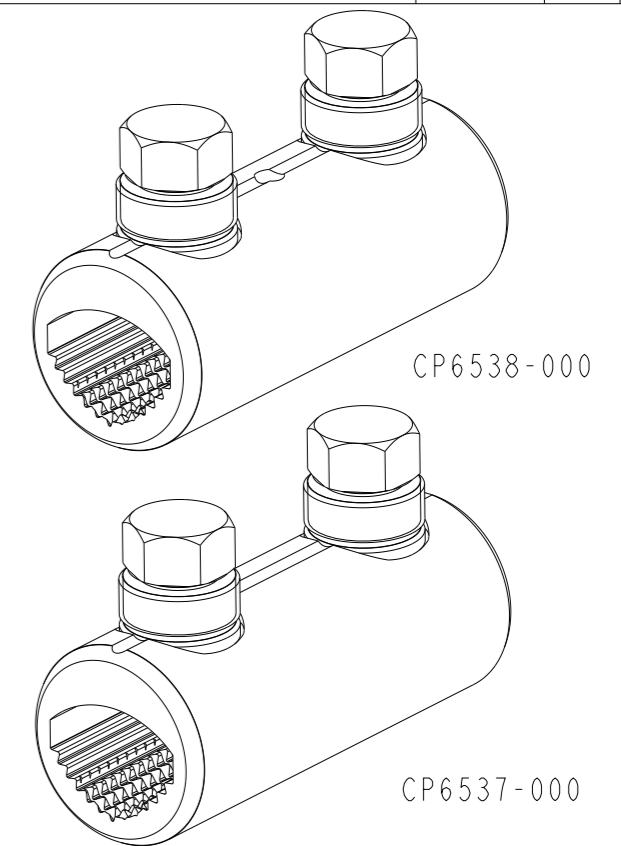
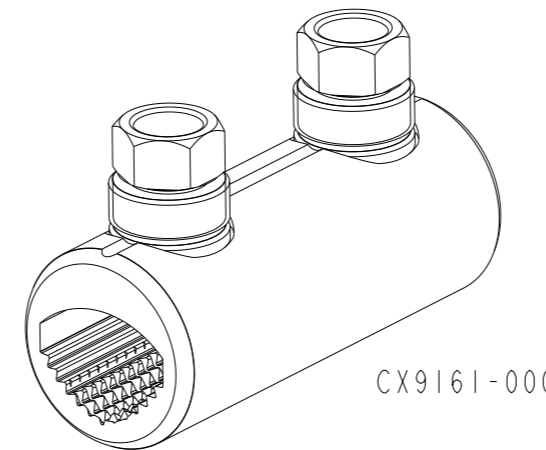
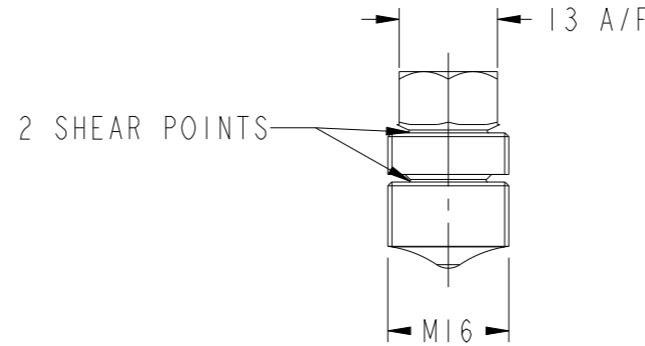
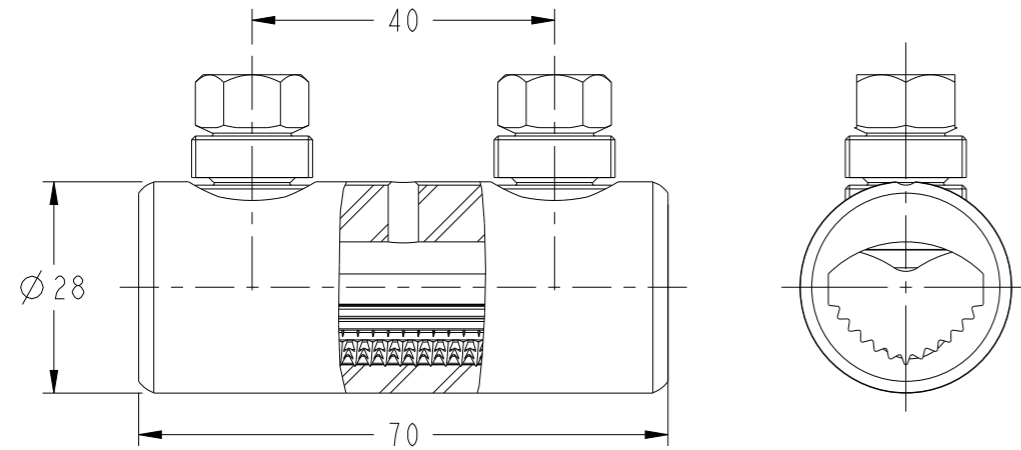
LOC DIST
FH 2

REVISIONS

P	LTR REV	DESCRIPTION MODIFICATIONS	DATE	DWN DESS.	APVD APP.
	A	CREATION	03SEP2010	BM	NA
	B	CORRECT PRODUCT DESCRIPTION ERROR	08OCT2010	BM	NA
	C	ADD PRODUCT WITH REMOVABLE BOLTS	11MAY2012	BM	NA
	D	ADD CU ROUND STRANDED CABLES	10APR2024	BM	NA

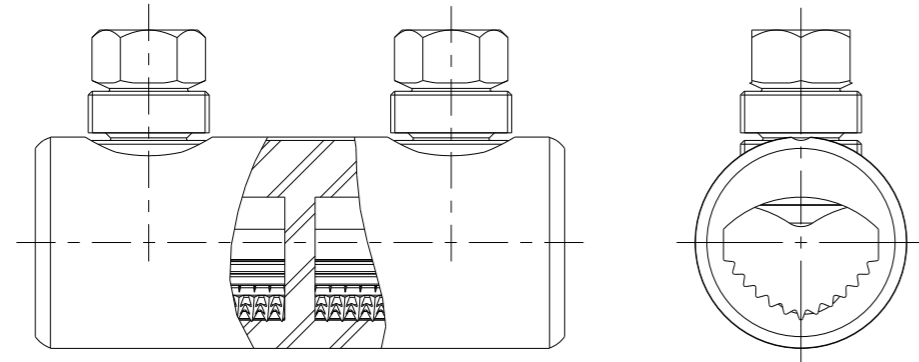
OHNE TRENNSTEG / UNBLOCKED VERSION :

BSLU-25/150 SU-AS	CP6539-000	UNBLOCKED	NATURAL
DESCRIPTION	RPN	TYPE	FINISH
BSLU-25/150 S-AS	CP6538-000	UNBLOCKED	TINNED
DESCRIPTION	RPN	TYPE	FINISH



MIT TRENNSTEG / BLOCKED VERSION :

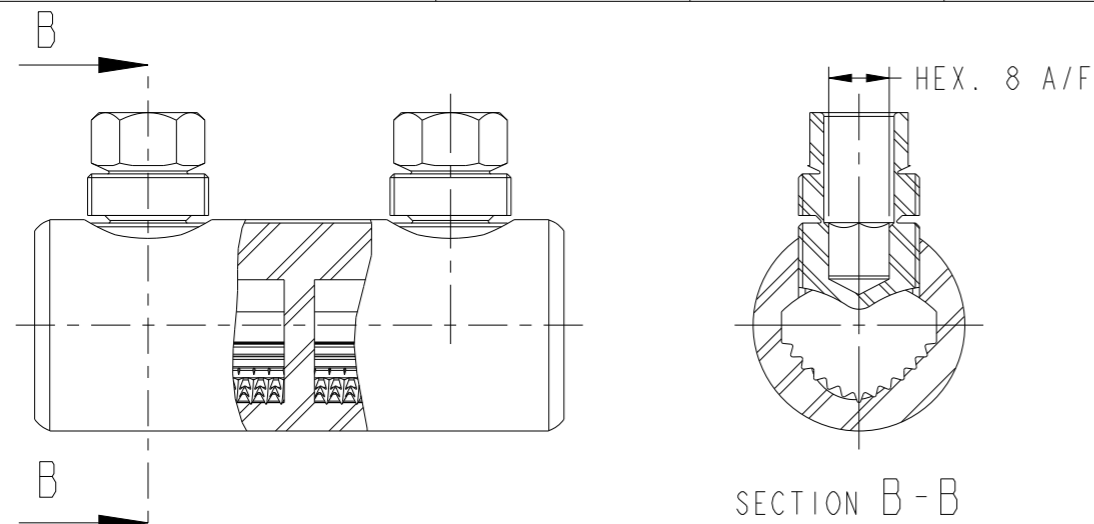
BSLB-25/150 S-AS	CP6537-000	BLOCKED	TINNED
DESCRIPTION	RPN	TYPE	FINISH



	AL				CU	
	ROUND STRANDED /Circ. câblé /RM	ROUND SOLID /Circ. massif /RE	SECTOR STRANDED /Sectoral câblé /SM	SECTOR SOLID /Sectoral massif /SE	ROUND STRANDED /Circ. câblé /RM	SECTOR STRANDED /Sectoral câblé /SM
CONDUCTOR CROSS-SECTION /Section conducteur /Querschnittsbereich mm ²	25-95	25-95	25-150	25-150	25-95	25-150
CONDUCTOR DIAMETER /Diamètre conducteur /Leiterdurchmesser mm	Ø 5.7-Ø 12.5	Ø 5.5-Ø 11	-	-	Ø 5.7-Ø 12.5	-

BLOCKED VERSION WITH REMOVABLE BOLTS:

BSLB-25/150 S-AS-REM	CX9161-000	BLOCKED	TINNED
DESCRIPTION	RPN	TYPE	FINISH



THIS DRAWING IS A CONTROLLED DOCUMENT.
CE PLAN EST UN DOCUMENT CONTROLE PAR TYCO ELECTRONICS CORPORATION.
IL EST SUSCEPTIBLE D'ETRE REVISE. POUR OBTENIR LA DERNIERE REVISION,
CONTACTER LE SERVICE TECHNIQUE DE TYCO ELECTRONICS SIMEL SAS,
21220 GEVREY-CHAMBERTIN, FRANCE.

DIMENSIONS: mm	TOLERANCES UNLESS OTHERWISE SPECIFIED: (SUIV NB DE DECIMALES): 0 PLC/DEC: ±0 1 PLC/DEC: ±0 2 PLC/DEC: ±0 3 PLC/DEC: ±0 4 PLC/DEC: ±0 ANGLES ±
MATERIAL MATIERE AL ALLOY	FINISH FINITION SEE TABLE

DWN/DESSINE 03SEP2010	B. MILLOT
CHK/VERIFIE	M. DOLLING
APVD/APPROUVE	N. ALMEIDA
PRODUCT SPEC SPEC. PRODUIT	
APPLICATION SPEC SPEC. APPLICATION	

TE Connectivity		NAME TITRE	
		BSLB-25/150 S-AS BSLU-25/150 S-AS BSLU-25/150 SU-AS BSLB-25/150 S-AS-REM	
SIZE FORMAT A3	CAGE CODE -	DRAWING NO No PLAN C-2107388	RESTRICTED TO RESERVE A

WEIGHT MASSE APPROX. 130 g	CUSTOMER DRAWING /PLAN CLIENT	UNIQUEMENT POUR REFERENCE	SCALE ECHELLE	SHEET FEUILLE	OF DE	REV D
----------------------------	-------------------------------	---------------------------	---------------	---------------	-------	-------