

THIS DRAWING IS UNPUBLISHED.  
DIFFUSION RESTREINTE

RELEASED FOR PUBLICATION  
LIBRE A LA DIFFUSION

© COPYRIGHT 20

ALL RIGHTS RESERVED.  
TOUS DROITS RESERVES

LOC  
FH

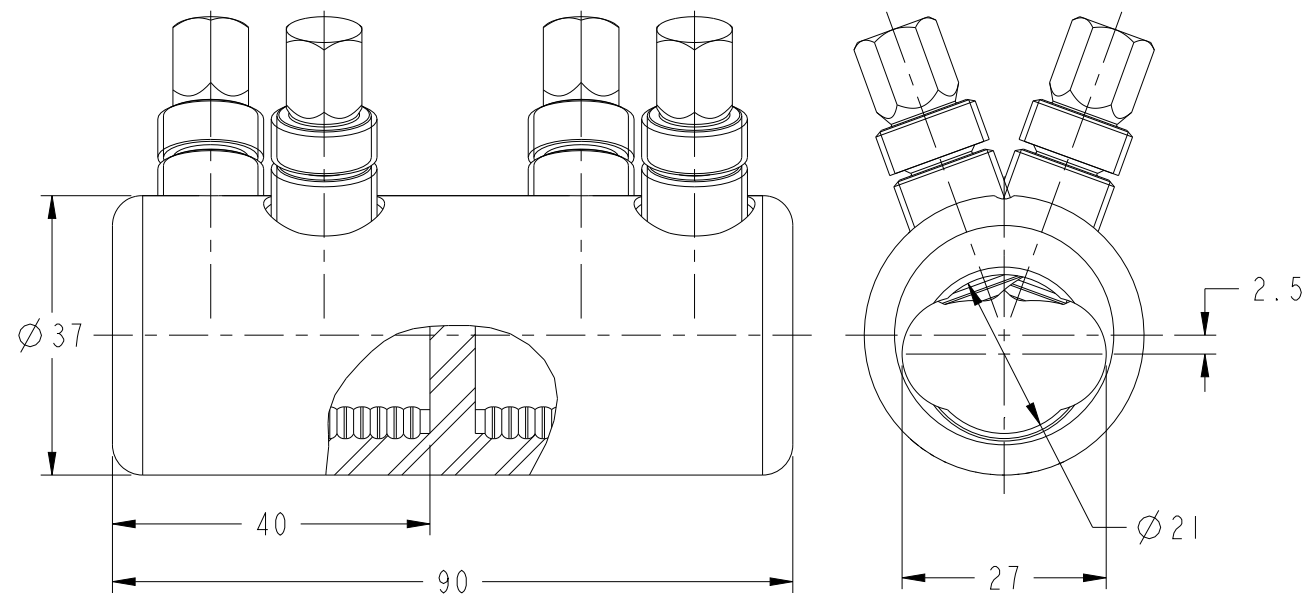
DIST  
2

REVISIONS

P	LTR REV	DESCRIPTION MODIFICATIONS	DATE	DWN DESS.	APVD APP.
	A	CREATION	17AUG2011	BM	NA
	B	UPDATE BOLT WITH 2 SHEAR STAGES	01FEB2012	BM	NA
	C	ADD 70mm <sup>2</sup> AL ROUND CABLE	10APR2024	BM	NA

MIT TRENNSTEG / BLOCKED VERSION

DESCRIPTION	PART NUMBER	TYPE	FINISH
BSLB-95/240	2107440-1	BLOCKED	TINNED

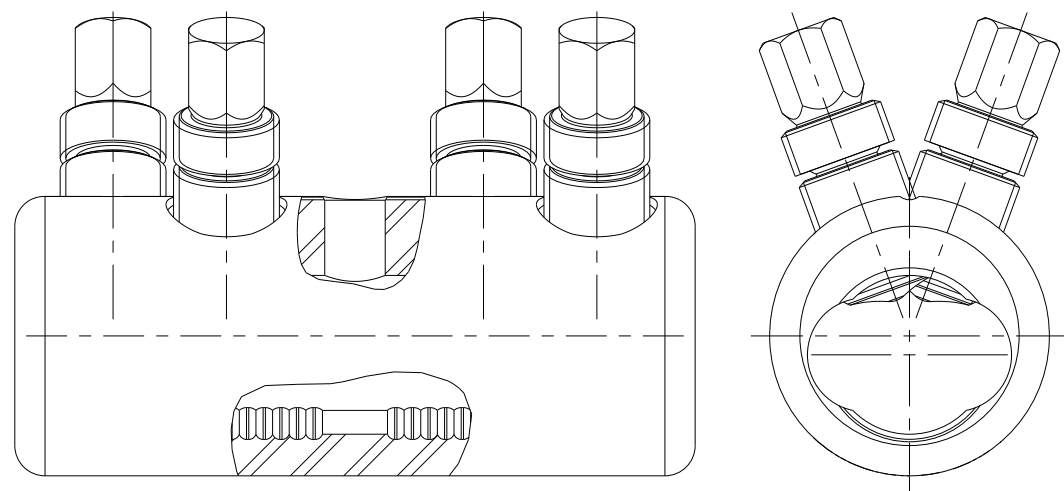


2 SHEAR POINTS

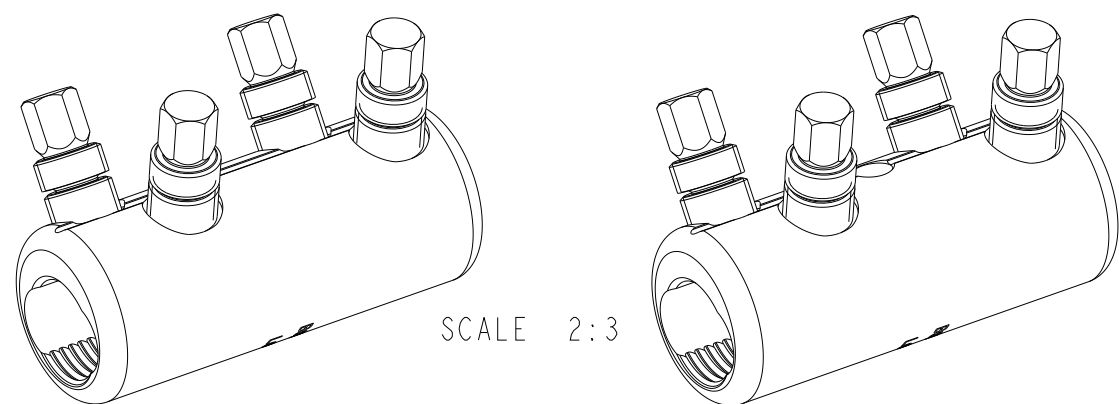
10 A/F

OHNE TRENNSTEG / UNBLOCKED VERSION

DESCRIPTION	PART NUMBER	TYPE	FINISH
BSLU-95/240	2107440-2	UNBLOCKED	TINNED



	AL				CU	
	ROUND STRANDED /Circ. câblé /RM	ROUND SOLID /Circ. massif /RE	SECTOR STRANDED /Sectoral câblé /SM	SECTOR SOLID /Sectoral massif /SE	ROUND STRANDED /Circ. câblé /RM	SECTOR STRANDED /Sectoral câblé /SM
CONDUCTOR CROSS-SECTION /Section conducteur /Querschnittsbereich mm <sup>2</sup>	70-240	95-240	95-240	95-240	70-240	95-240
CONDUCTOR DIAMETER /Diamètre conducteur /Leiterdurchmesser mm	Ø 9.3-Ø 20	Ø 10.5-Ø 18	-	-	Ø 9.3-Ø 20	-



SCALE 2:3

THIS DRAWING IS A CONTROLLED DOCUMENT.  
CE PLAN EST UN DOCUMENT CONTROLE PAR TYCO ELECTRONICS CORPORATION.  
IL EST SUSCEPTIBLE D'ETRE REVISE. POUR OBTENIR LA DERNIERE REVISION,  
CONTACTER LE SERVICE TECHNIQUE DE TYCO ELECTRONICS SIMEL SAS,  
21220 GEVREY-CHAMBERTIN, FRANCE.

DIMENSIONS: mm	TOLERANCES UNLESS OTHERWISE SPECIFIED: TOLERANCES NON SPECIFIEES (SUIV NB DE DECIMALES): 0 PLC/DEC: ±0 1 PLC/DEC: ±0 2 PLC/DEC: ±0 3 PLC/DEC: ±0 4 PLC/DEC: ±0 ANGLES ±
-------------------	--

MATERIAL MATIERE AL ALLOY FINISH FINITION TINNED

DWN/DESSINE 17AUG2011  
B. MILLOT

CHK/VERIFIE M. DOLLING

APVD/APPROUVE N. ALMEIDA

PRODUCT SPEC SPEC. PRODUIT

APPLICATION SPEC SPEC. APPLICATION

WEIGHT MASSE APPROX. 195g

CUSTOMER DRAWING /PLAN CLIENT



BSLB-95/240  
BSLU-95/240

SIZE FORMAT A3	CAGE CODE -	DRAWING NO No PLAN C-2107440	RESTRICTED TO RESERVE A
-------------------	-------------	---------------------------------	----------------------------

UNIQUEMENT POUR REFERENCE	SCALE ECHELLE	SHEET FEUILLE	OF DE	REV C
------------------------------	------------------	------------------	----------	----------