

4

3

2

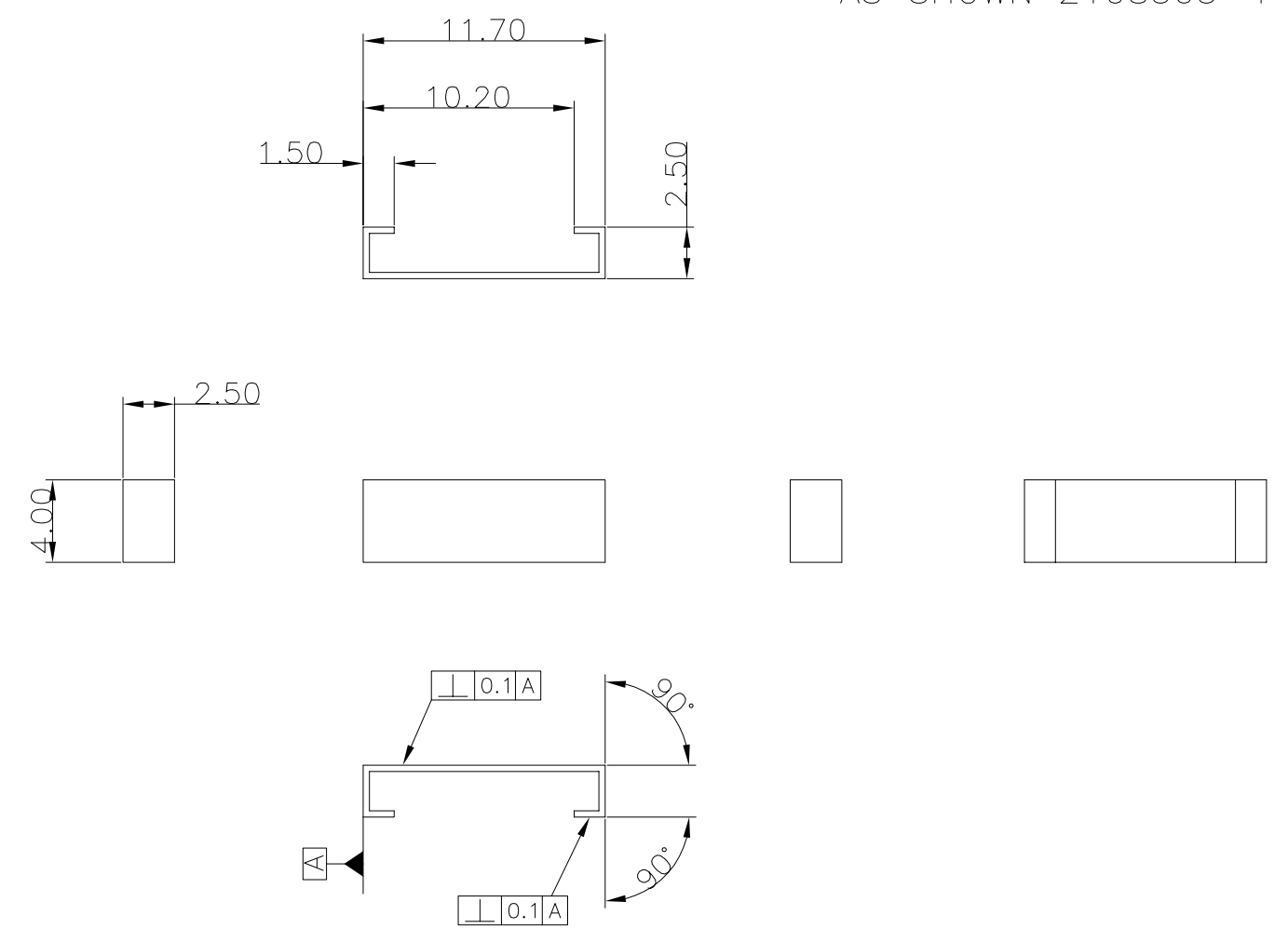
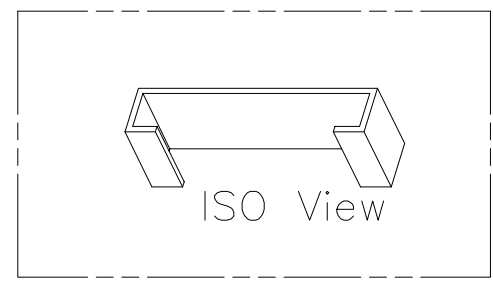
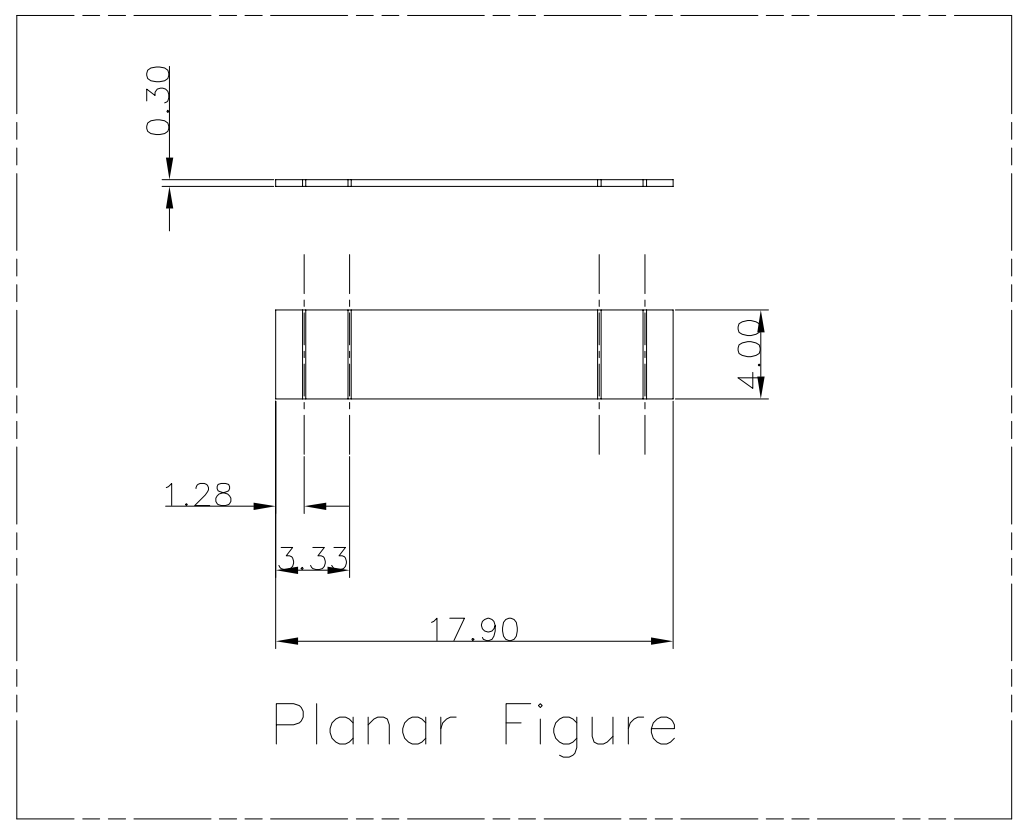
1

THIS DRAWING IS UNPUBLISHED. RELEASED FOR PUBLICATION 20  
 © COPYRIGHT 20 BY TYCO ELECTRONICS CORPORATION. ALL RIGHTS RESERVED.

LOC	DIST	REVISIONS			
P	LTR	DESCRIPTION	DATE	DWN	APVD
DS	-				

GENERAL TOLERANCE : ±0.2

AS SHOWN 2108305-1



NOTE

- 1 MATERIAL : COPPER ALLOY , THICKNESS : 0.3 T
- 2 PLATING: TIN OVER NICKEL
- 3. TAPE AND REEL PACKAGING, REFERENCE PACKAGING DETAIL ON SHEET 2.

<small>THIS DRAWING IS A CONTROLLED DOCUMENT FOR TYCO ELECTRONICS CORPORATION IT IS SUBJECT TO CHANGE AND THE CONTROLLING ENGINEERING ORGANIZATION SHOULD BE CONTACTED FOR THE LATEST REVISION.</small>		DWN SJ.NOH 11-Jan-16 CHK SJ.NOH 11-Jan-16 APVD JH.KIM 11-Jan-16			
DIMENSIONS: mm	TOLERANCES UNLESS OTHERWISE SPECIFIED: GENERAL TOLERANCE IS ±0.2 0-PLC ± 1-PLC ± 2-PLC ± 3-PLC ± 4-PLC ± ANGLES ±	PRODUCT SPEC - APPLICATION SPEC - WEIGHT -	NAME Bluetooth Antenna SMD type Stamping Element		
MATERIAL - FINISH -		CUSTOMER DRAWING	SIZE A3 CAGE CODE 300779 DRAWING NO. 2108305	RESTRICTED TO	SCALE 3:1 SHEET 1 OF 2 REV A3

4

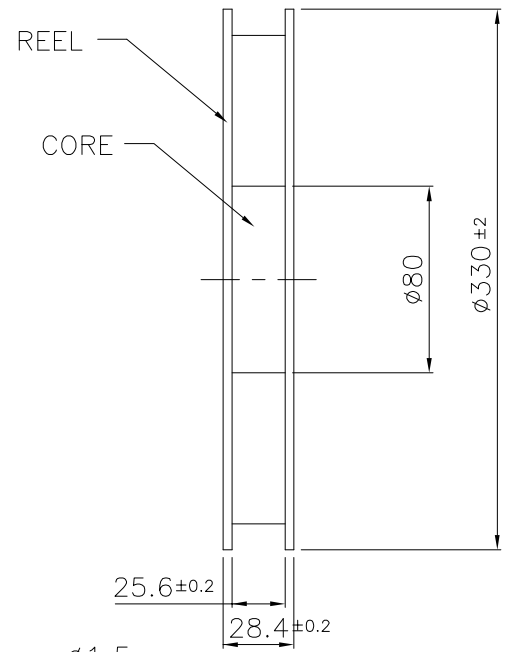
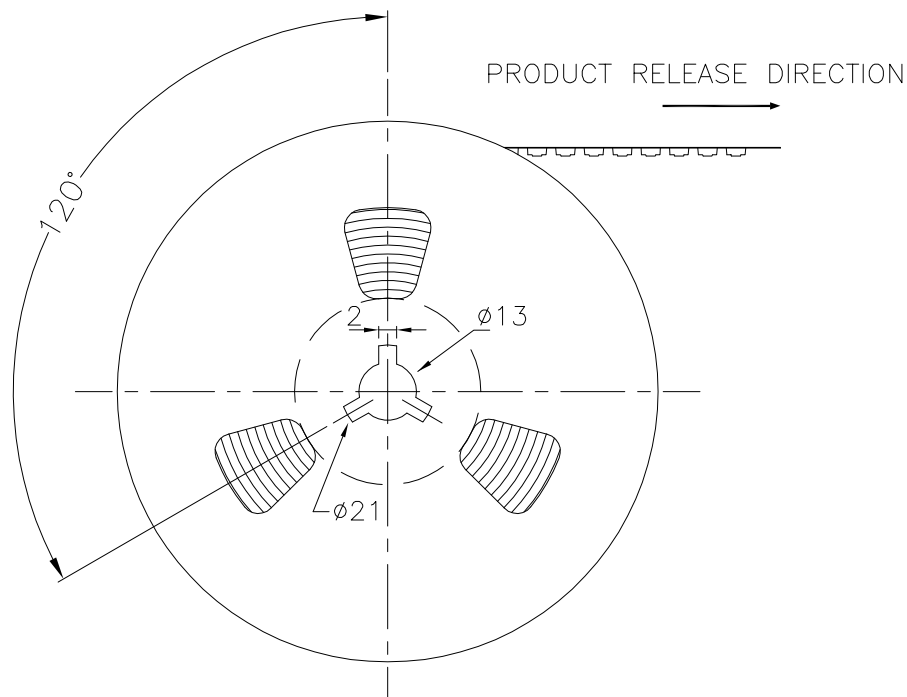
3

2

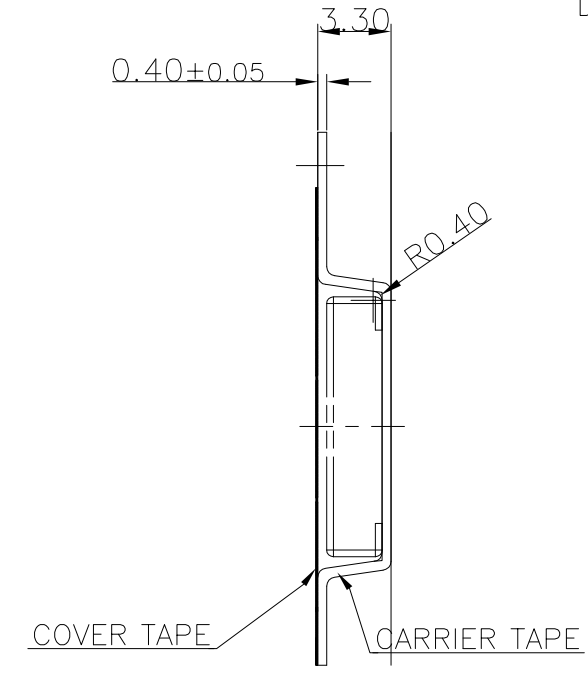
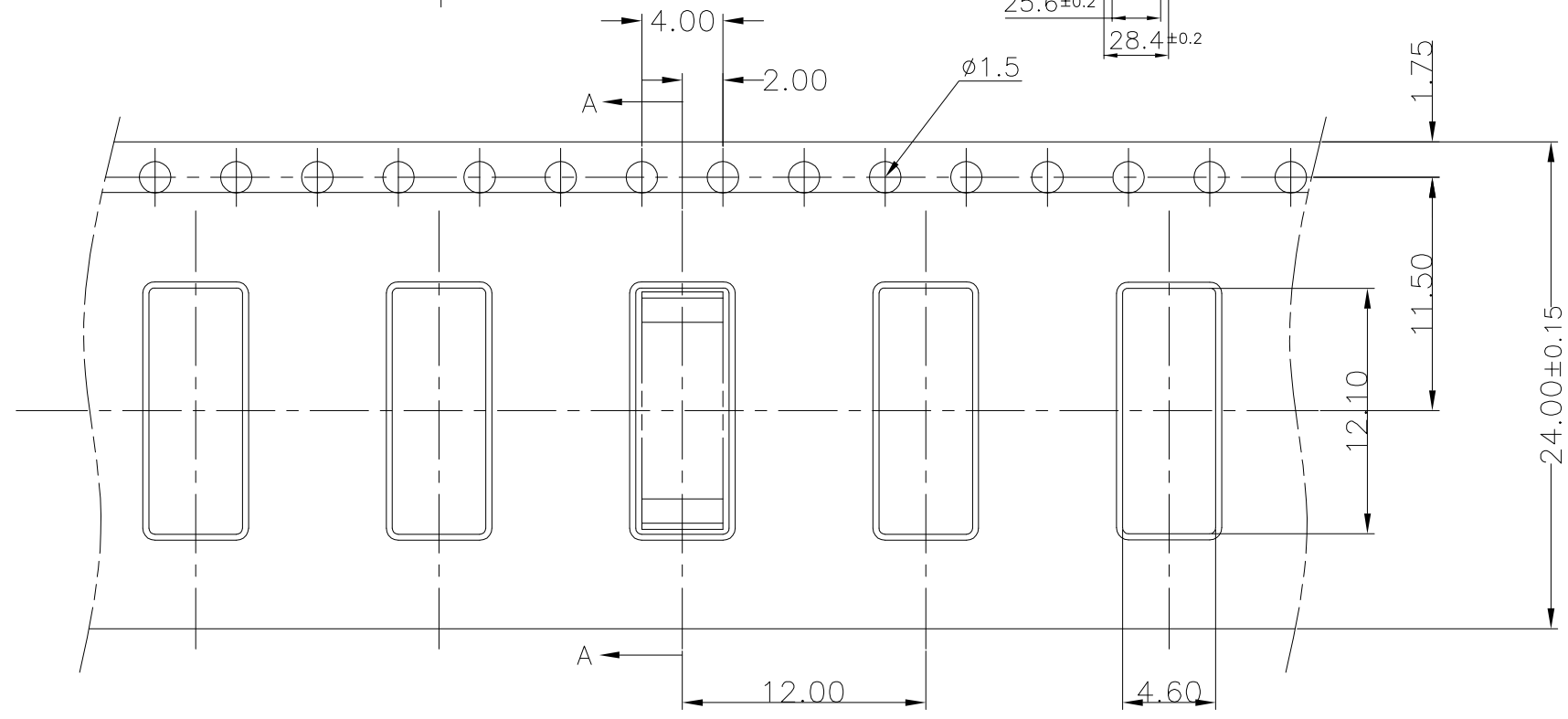
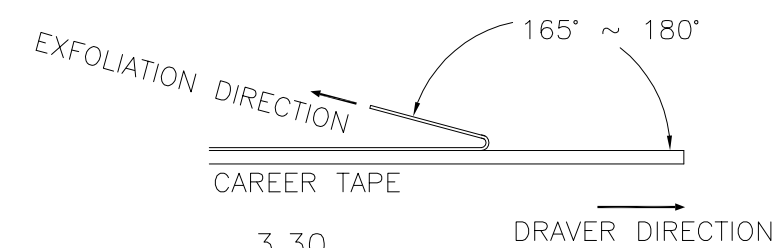
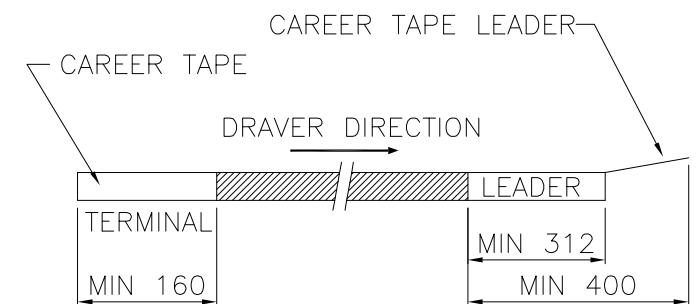
1

THIS DRAWING IS UNPUBLISHED. RELEASED FOR PUBLICATION 20  
 © COPYRIGHT 20 BY TYCO ELECTRONICS CORPORATION. ALL RIGHTS RESERVED.

LOC	DIST	REVISIONS			
P	LTR	DESCRIPTION	DATE	DWN	APVD
DS	-				



GENERAL TOLERANCE : ±0.1



SECTION A-A

NOTES :  
 1. PACKING Q'TY : 1500 EA / REEL

<small>THIS DRAWING IS A CONTROLLED DOCUMENT FOR TYCO ELECTRONICS CORPORATION          IT IS SUBJECT TO CHANGE AND THE CONTROLLING ENGINEERING ORGANIZATION          SHOULD BE CONTACTED FOR THE LATEST REVISION.</small>		DWN 11-Jan-16 SJ.NOH CHK 11-Jan-16 SJ.NOH APVD 11-Jan-16 JH.KIM PRODUCT SPEC APPLICATION SPEC WEIGHT -			
DIMENSIONS: mm 		TOLERANCES UNLESS OTHERWISE SPECIFIED: GENERAL TOLERANCE IS ±0.1 0-PLC ± 1-PLC ± 2-PLC ± 3-PLC ± 4-PLC ± ANGLES ± FINISH -		NAME Bluetooth Antenna SMD type Stamping Element SIZE CAGE CODE DRAWING NO RESTRICTED TO A300779 C- 2108305	
MATERIAL -		CUSTOMER DRAWING		SCALE 3:1 SHEET 2 OF 2 REV A3	