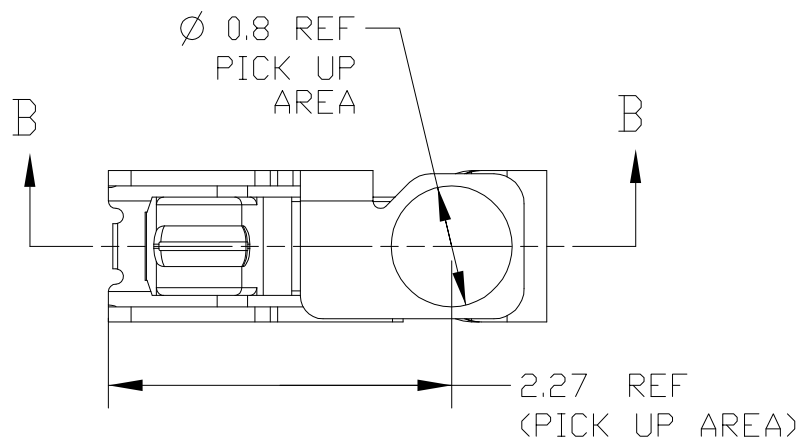
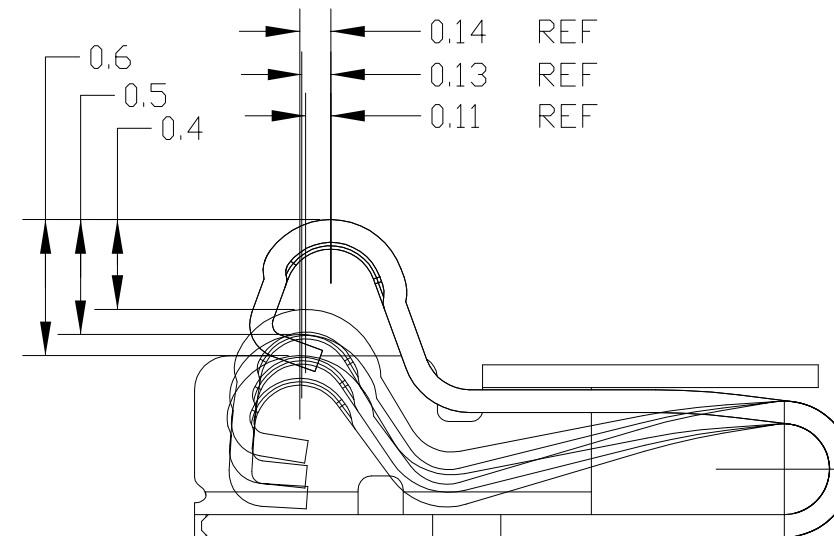


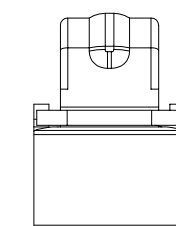
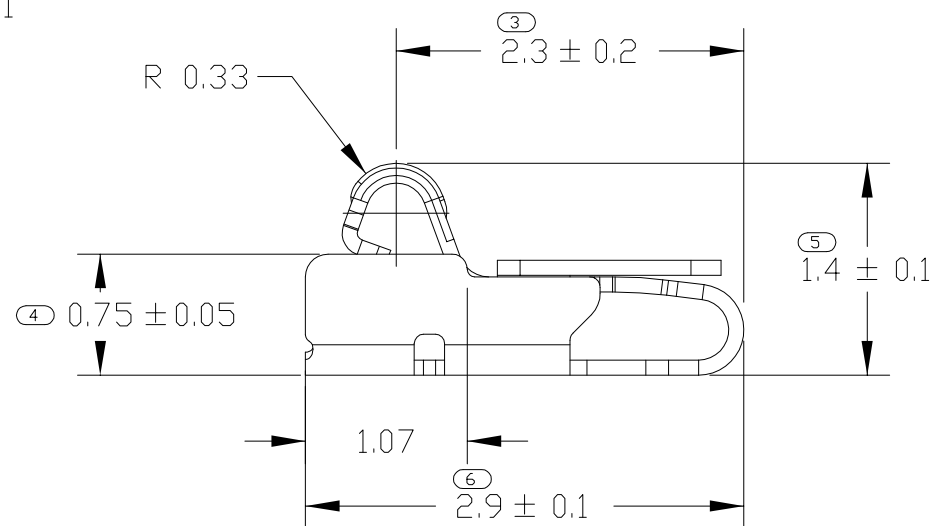
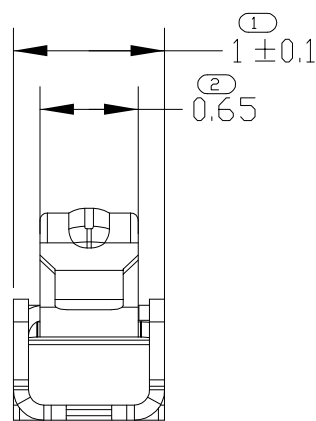
LOC	DIST	REVISIONS					
		P	LTR	DESCRIPTION	DATE	DWN	APVD
-	-		C3	REVISED	05JUNE2023	J.J	H.L



AS SHOWN
 (C1) 2108610-5/6
 OBSOLETE (C2) 2108610-6

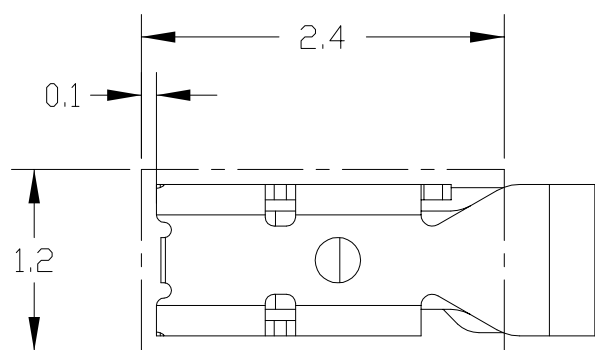


STROKE CONDITION (REFERENCE)
SECTION B-B

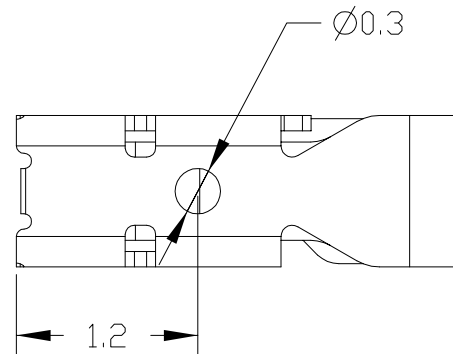


- (1) MATERIAL: COPPER ALLOY, THK.=0.1mm
- (2) FINISH: NI UNDER PLATING ALL OVER 0.8~3.0um.
CONTACT PLATING: Au 0.1~0.4um
SOLDER PLATING: Au FLASH 0.05~0.35um
- 3. CUTTING BURR: 0.05mm MAX.
- (C1) (4) F/G SHOULD BE SEPARATED BASED ON THE CUSTOMER'S PART NUMBER AS BELOW TABLE

NO	PART NUMBER	CUSTOMER PART NUMBER	PRODUCT SPEC
1	2108610-5	MBV62562001	108-61185
2	2108610-6	EAG63652301	108-61250
OBSOLETE (C2) 3	2-2108610-6		



RECOMENDED PCB LAYOUT
(REFERENCE)



THIS DRAWING IS A CONTROLLED DOCUMENT.

DIMENSIONS: mm	TOLERANCES UNLESS OTHERWISE SPECIFIED: ±0.15	DWN	JH GONG	08FEB2013
		CHK	JH KIM	08FEB2013
	<ul style="list-style-type: none"> Ø-PLC ± 1-PLC ±0.5 2-PLC ±0.13 3-PLC ±0.013 4-PLC ±0.0001 ANGLES ± 	APVD	JH KIM	08FEB2013
		PRODUCT SPEC	SEE TABLE (4)	
MATERIAL	FINISH	APPLICATION SPEC	-	
(1)	(2)	WEIGHT	-	

TE Connectivity

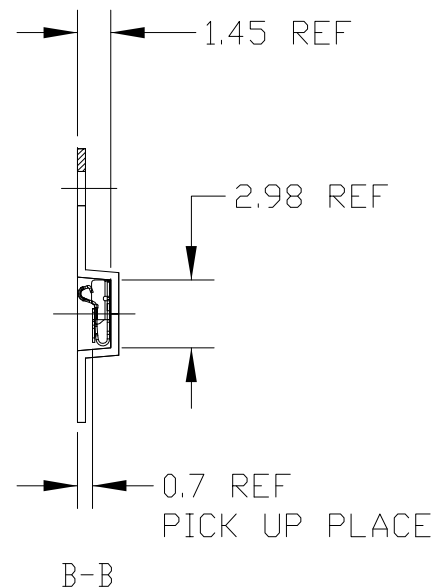
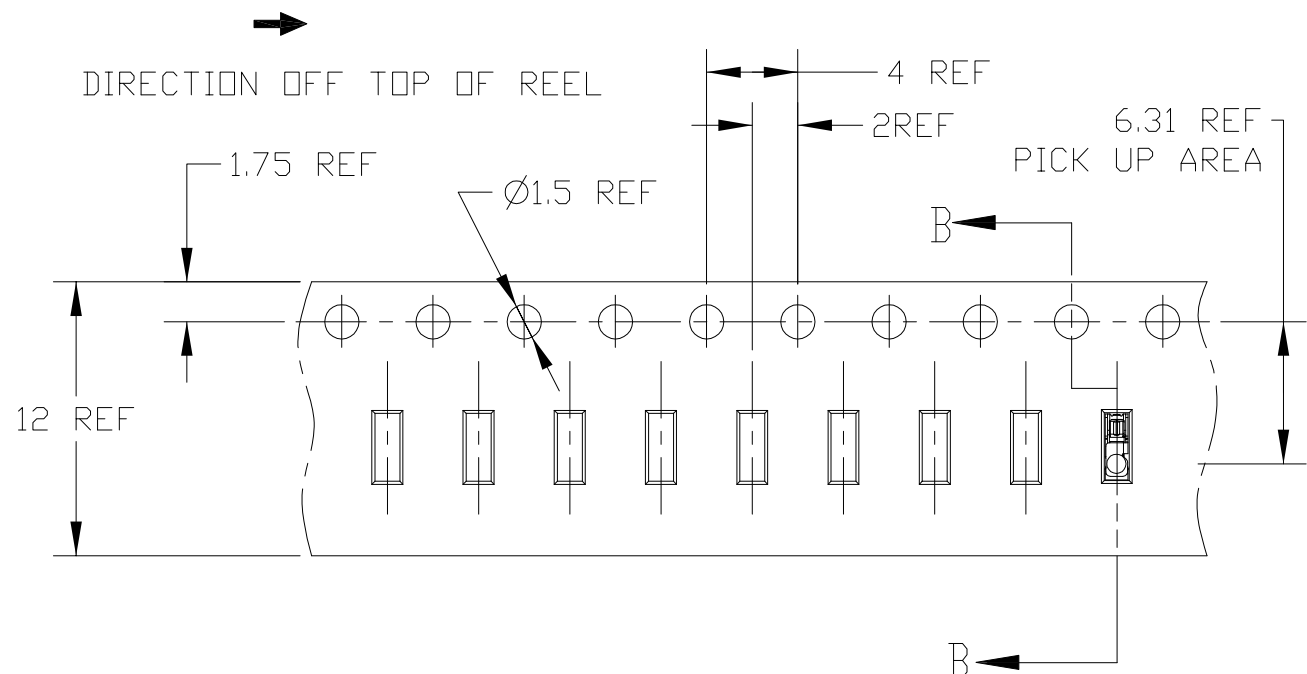
NAME: SPRING FINGER 1.4H

SIZE: A3 CAGE CODE: 00779 DRAWING NO: C=C_2108610 RESTRICTED TO: -

CUSTOMER DRAWING SCALE: 20:1 SHEET 1 OF 3 REV: C3

P	LTR	DESCRIPTION	DATE	DWN	APVD
		SEE SHEET 1			

①④ <2108610-5 : MBV62562001>



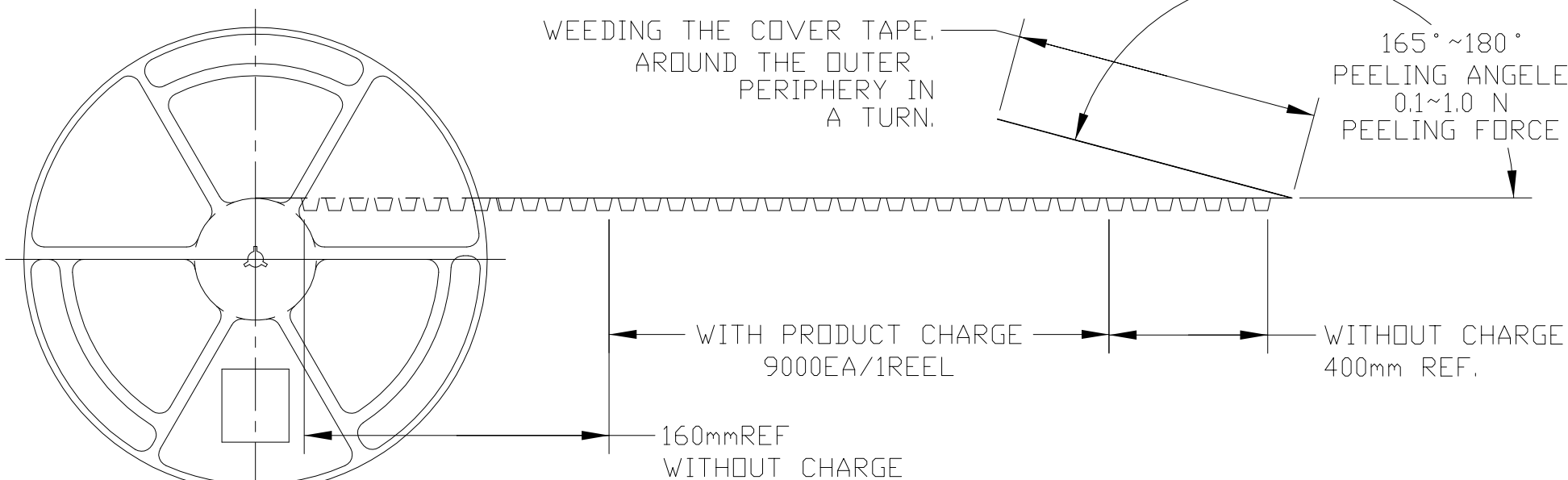
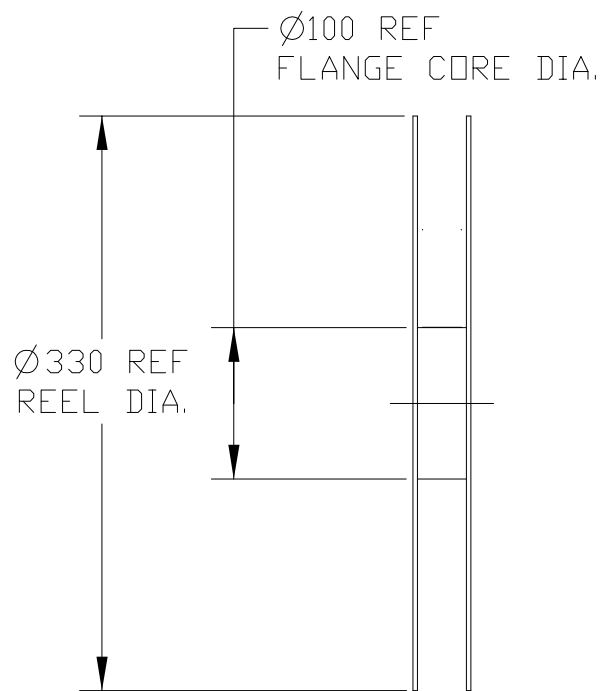
①

MBV62562001-YYYYMMDD-*****-HK000120
 SPEC: 1.4H SPRING FINGER WITH EMBOSS
 Company Name: TE CONNECTIVITY
 Tyco Part Number :2108610-5

RoHS H/F

100 (width)
70 (height)

- 1. LG PART NO.
- 2. FINAL INSPECTION(YYYMMDD)
- 3. VENDOR PRODUCTION LOT NO.
- 4. VENDOR CODE

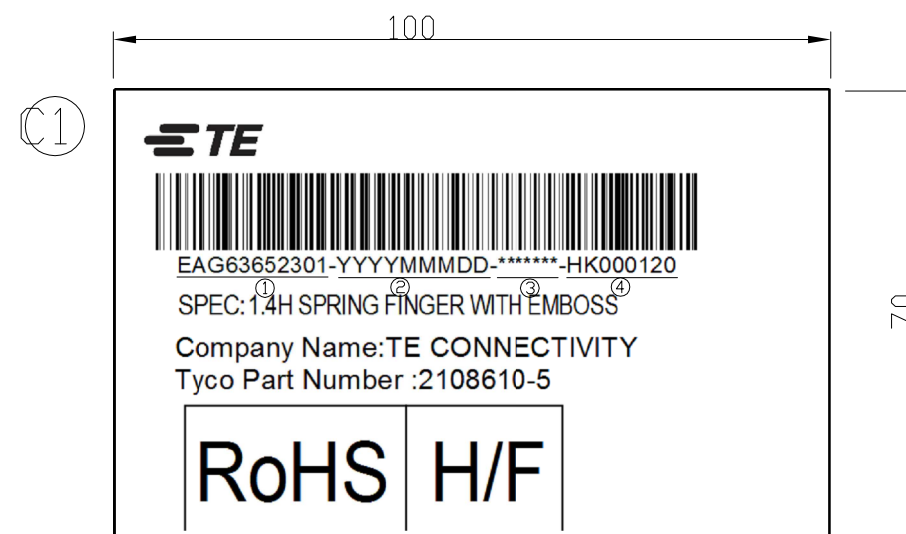
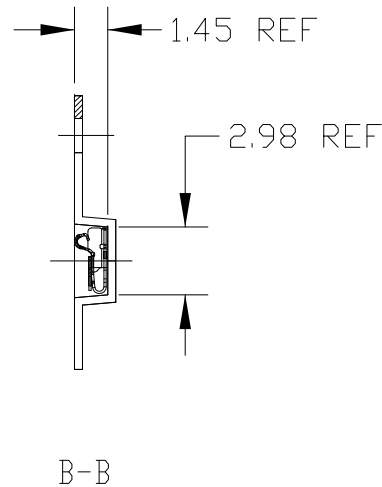
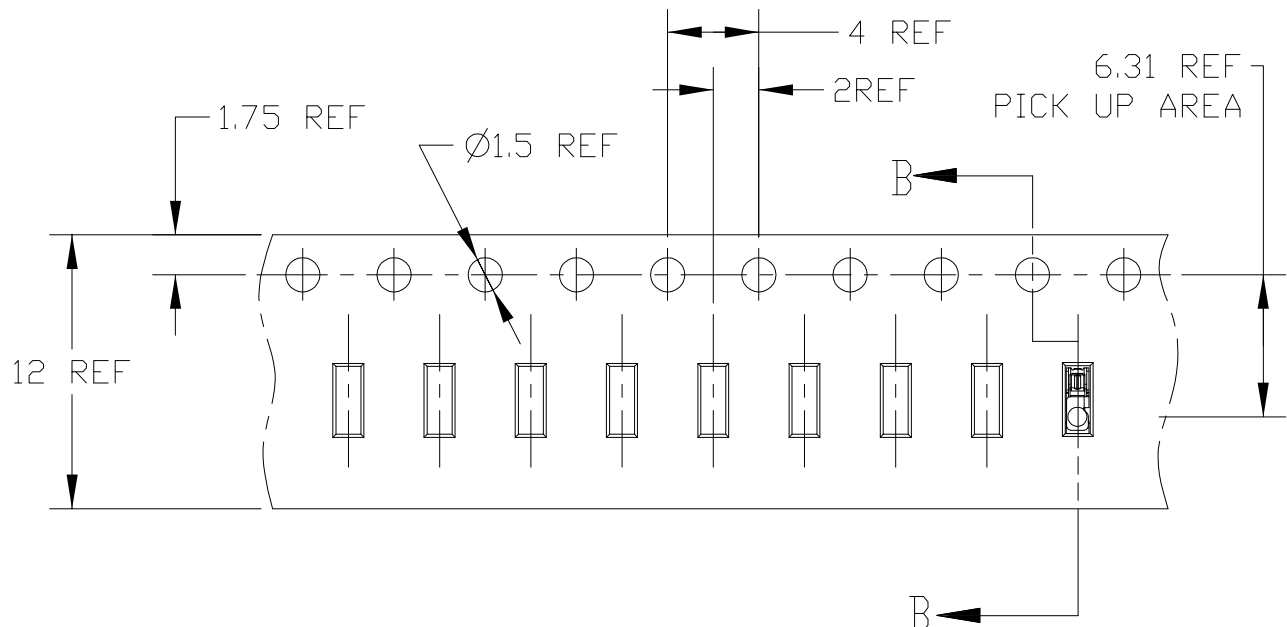


THIS DRAWING IS A CONTROLLED DOCUMENT.		DWN	JH GONG	08FEB2013	 TE Connectivity	NAME		SPRING FINGER 1.4H		
DIMENSIONS: mm		CHK	JH KIM	08FEB2013		PRODUCT SPEC		SIZE	CAGE CODE	DRAWING NO
TOLERANCES UNLESS OTHERWISE SPECIFIED:		APVD	JH KIM	08FEB2013		APPLICATION SPEC		A3	00779	C=C_2108610
0 PLC ±		PRODUCT SPEC		108-XXXXX		WEIGHT		RESTRICTED TO		
1 PLC ±0.5		MATERIAL		-	CUSTOMER DRAWING		SCALE	SHEET	OF	REV
2 PLC ±0.13		FINISH		-	CUSTOMER DRAWING		20:1	2	3	C3
3 PLC ±0.013										
4 PLC ±0.0001										
ANGLES ±										

P	LTR	DESCRIPTION	DATE	DWN	APVD
		SEE SHEET 1			

①④ <2108610-6 : EAG63652301>

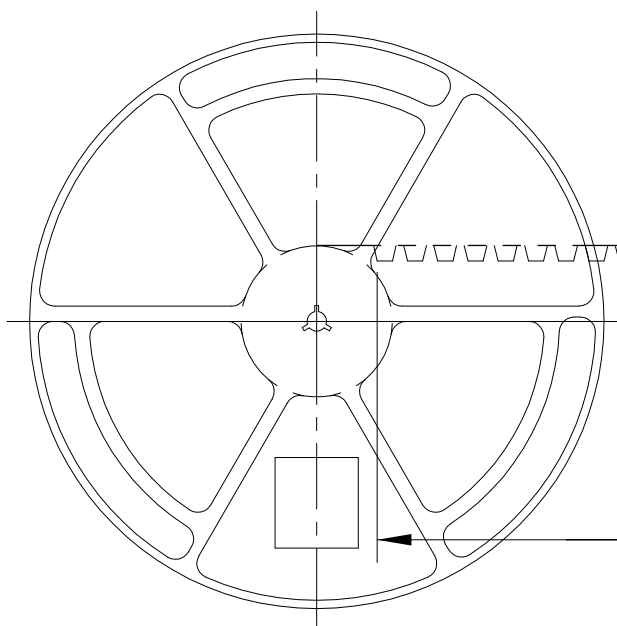
DIRECTION OFF TOP OF REEL



- 1. LG PART NO.
- 2. FINAL INSPECTION(YYYMMDD)
- 3. VENDOR PRODUCTION LOT NO.
- 4. VENDOR CODE

Ø100 REF FLANGE CORE DIA.

Ø330 REF REEL DIA.



WEEDING THE COVER TAPE, AROUND THE OUTER PERIPHERY IN A TURN.

165°~180° PEELING ANGLE, 0.1~1.0 N PEELING FORCE

WITH PRODUCT CHARGE 9000EA/1REEL

WITHOUT CHARGE 400mm REF.

160mm REF WITHOUT CHARGE

13.4 REF

19.4 REF REEL WIDTH

THIS DRAWING IS A CONTROLLED DOCUMENT.		DWN JH GONG 08FEB2013	TE Connectivity	
DIMENSIONS: mm		CHK JH KIM 08FEB2013		
TOLERANCES UNLESS OTHERWISE SPECIFIED:		APVD JH KIM 08FEB2013	NAME	
0 PLC ±		PRODUCT SPEC	SPRING FINGER 1.4H	
1 PLC ±0.5		APPLICATION SPEC	SIZE	CAGE CODE
2 PLC ±0.13		108-XXXXX	DRAWING NO	
3 PLC ±0.013		-	RESTRICTED TO	
4 PLC ±0.0001		WEIGHT	A300779 ©=C_2108610	
ANGLES ±		CUSTOMER DRAWING	SCALE 20:1	SHEET 3 OF 3
FINISH -			REV C3	