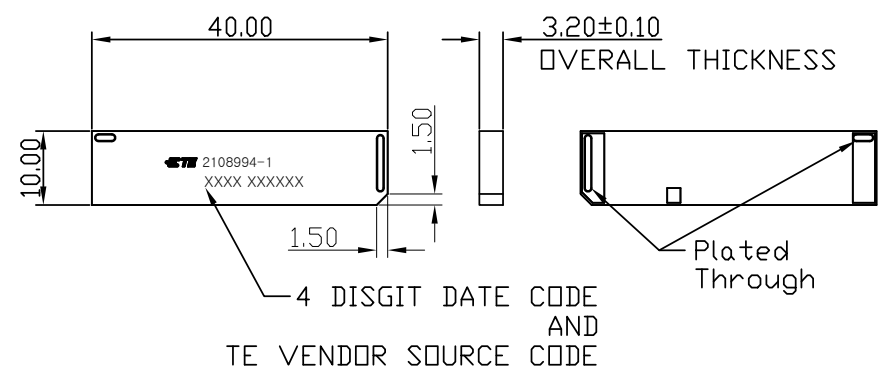


THIS DRAWING IS UNPUBLISHED. RELEASED FOR PUBLICATION 20  
 © COPYRIGHT 20 BY TYCO ELECTRONICS CORPORATION. ALL RIGHTS RESERVED.

LOC	DIST	REVISIONS					
		P	LTR	DESCRIPTION	DATE	DWN	APVD
DS	—		A1	REVISED	26.NOV.2019	DW.PARK	JH.KIM



NOTE

1. PRODUCT AND PROCESSING MEETS THE REQUIREMENTS OF TE CONNECTIVITY ENVIRONMENTAL STANDARD TEC-138-702.
2. MINIMUM IDENTIFICATION INCLUDES :  
TE LOGO, TE PART NUMBER,  
AND FOUR DIGIT DATE CODE (FIRST 2 DIGITS FOR 2ND TWO DIGITS FOR THE WEEK CODE AND THE 2ND TWO DIGITS FOR THE YEAR CODE).  
PCB REVISION AT SEPARATE LOCATION.
3. MATERIALS : PCB MATERIAL  
TOTAL THICKNESS : 3.2, 1/2 OZ. COPPER BOTH SIDES.
4. FINISH :  
A: SOLDERMASK OVER BARE COPPER (SMOBC).  
B: MASK BOTH SIDES OF PCB WITH LPI SOLDERMASK.  
SOLDERMASK COLOR : ORANGE.  
C: TOP AND BOTTOM OF TABS E.N.I.G PLATING.
5. CONSULT TE CONNECTIVITY DATA SHEET DS2108994.
6. CONTACT TE CONNECTIVITY ENGINEERING PRIOR TO DESIGNING INTO AN APPLICATION.
7. PACKAGING : EMBOSSED TAPE, SEE TAPE AND REEL VIEWS ON SHEET 2.

<small>THIS DRAWING IS A CONTROLLED DOCUMENT FOR TYCO ELECTRONICS CORPORATION IT IS SUBJECT TO CHANGE AND THE CONTROLLING ENGINEERING ORGANIZATION SHOULD BE CONTACTED FOR THE LATEST REVISION.</small>		DWN DW.PARK	16APR2018	TE Connectivity													
DIMENSIONS: mm		CHK															
<small>TOLERANCES UNLESS OTHERWISE SPECIFIED: GENERAL TOLERANCE IS ±0.1</small>		APVD JH.KIM	16APR2018	NAME													
<table border="0"> <tr><td>0 PLC</td><td>±</td></tr> <tr><td>1 PLC</td><td>±</td></tr> <tr><td>2 PLC</td><td>±</td></tr> <tr><td>3 PLC</td><td>±</td></tr> <tr><td>4 PLC</td><td>±</td></tr> <tr><td>ANGLES</td><td>±</td></tr> </table>		0 PLC	±	1 PLC	±	2 PLC	±	3 PLC	±	4 PLC	±	ANGLES	±	PRODUCT SPEC	108-61420		4G LTE ANTENNA(PCB TYPE)
0 PLC	±																
1 PLC	±																
2 PLC	±																
3 PLC	±																
4 PLC	±																
ANGLES	±																
MATERIAL		APPLICATION SPEC	—		RESTRICTED TO												
FINISH		WEIGHT	—		—												
		CUSTOMER DRAWING		SCALE 1:1	SHEET 1 OF 2												
		A300779		DRAWING NO C-2108994	REV A1												

4

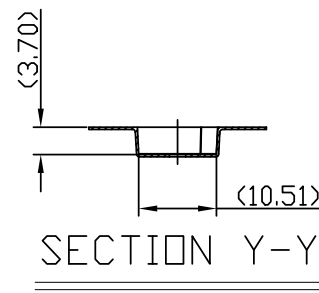
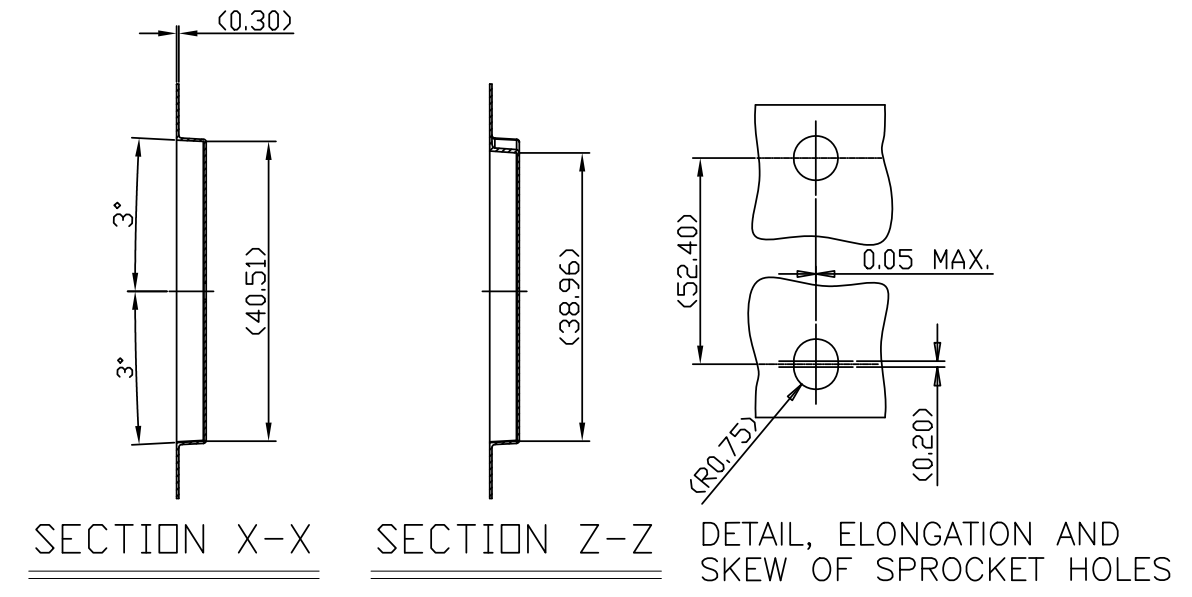
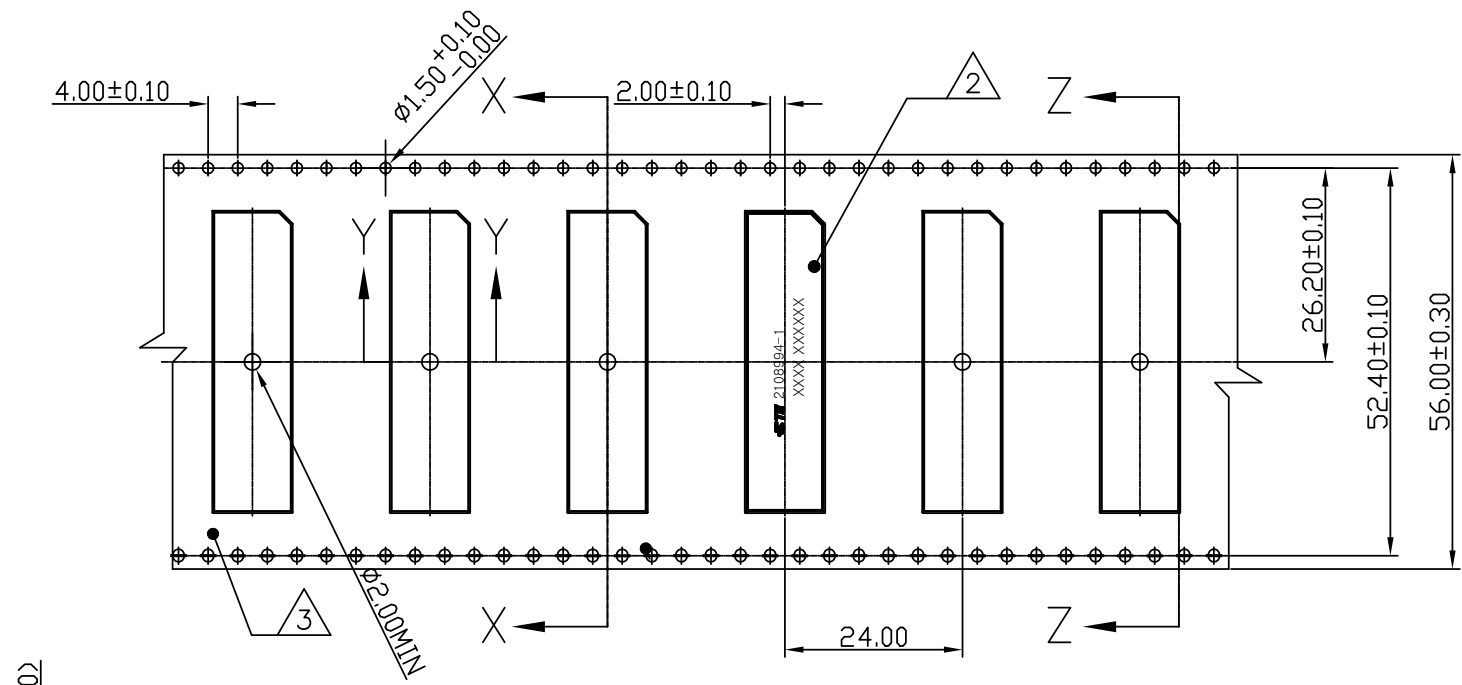
3

2

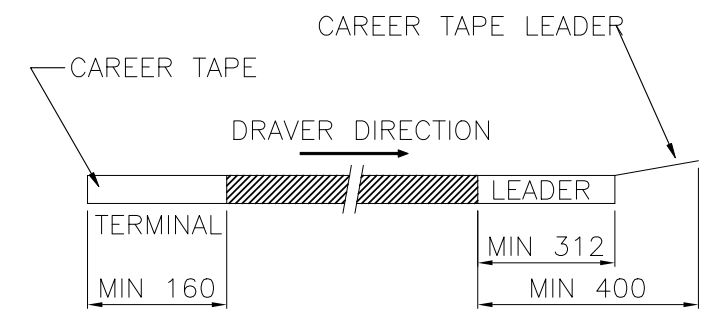
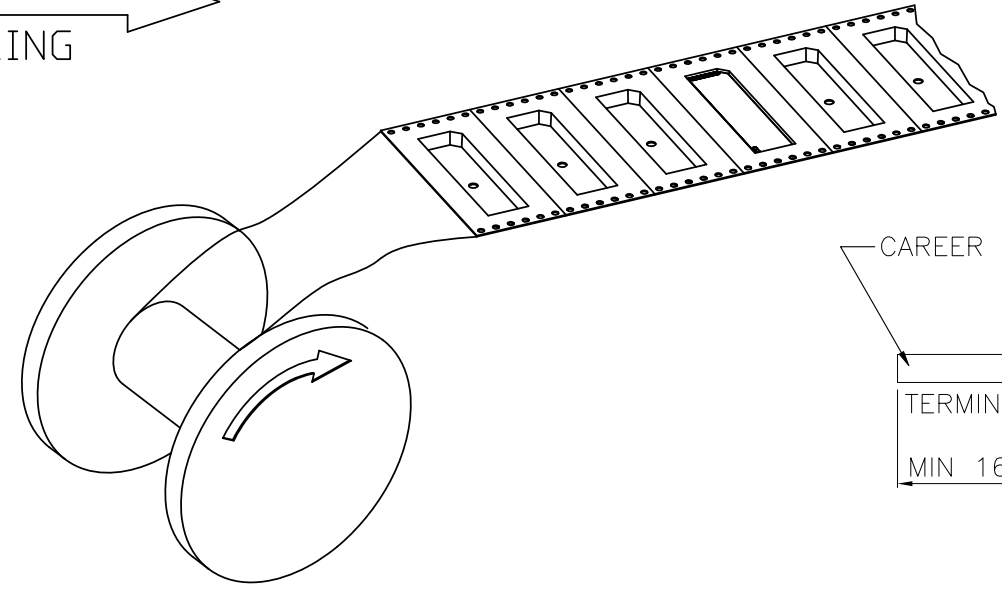
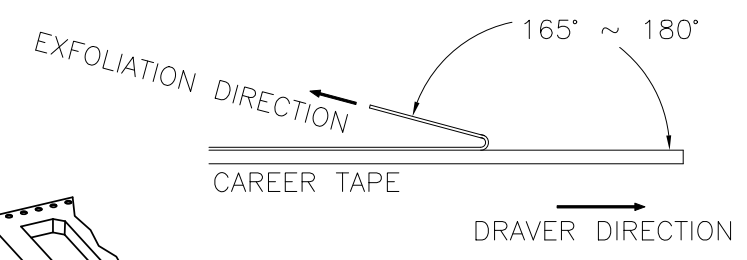
1

THIS DRAWING IS UNPUBLISHED. RELEASED FOR PUBLICATION 20  
COPYRIGHT 20 BY TYCO ELECTRONICS CORPORATION. ALL RIGHTS RESERVED.

LOC	DIST	REVISIONS					
		P	LTR	DESCRIPTION	DATE	DWN	APVD
DS	-			SEE SHEET 1			



USER DIRECTION OF UNREELING



- NOTE
- UNLESS OTHERWISE SPECIFIED TOLERANCE PER EIA-481-D
  - ORIENT PARTS AS SHOWN.
  - PARTS ARE COMPLIANT TO RoHS STANDARDS PER TE CONNECTIVITY STANDARD TEC - 138 - 702
  - ALL INFORMATION ON THIS DRAWING IS CONFIDENTIAL AND PROPRIETARY TO TE CONNECTIVITY.

<small>THIS DRAWING IS A CONTROLLED DOCUMENT FOR TYCO ELECTRONICS CORPORATION IT IS SUBJECT TO CHANGE AND THE CONTROLLING ENGINEERING ORGANIZATION SHOULD BE CONTACTED FOR THE LATEST REVISION.</small>		DWN DW.PARK CHK	16APR2018	TE Connectivity	
DIMENSIONS: mm		APVD JH.KIM PRODUCT SPEC	16APR2018		
		TOLERANCES UNLESS OTHERWISE SPECIFIED: GENERAL TOLERANCE IS ±0.1 0 PLC ± 1 PLC ± 2 PLC ± 3 PLC ± 4 PLC ± ANGLES ±-		APPLICATION SPEC 108-61420	
MATERIAL		WEIGHT		SIZE A3	CAGE CODE 300779
FINISH		CUSTOMER DRAWING		DRAWING NO C-2108994	RESTRICTED TO
		SCALE 1:1		SHEET 2 OF 2	REV A1