

THIS DRAWING IS UNPUBLISHED.

RELEASED FOR PUBLICATION

20

LOC

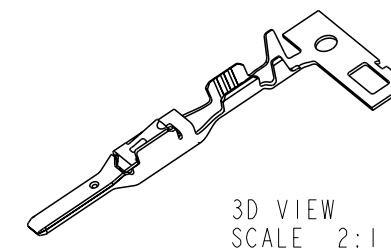
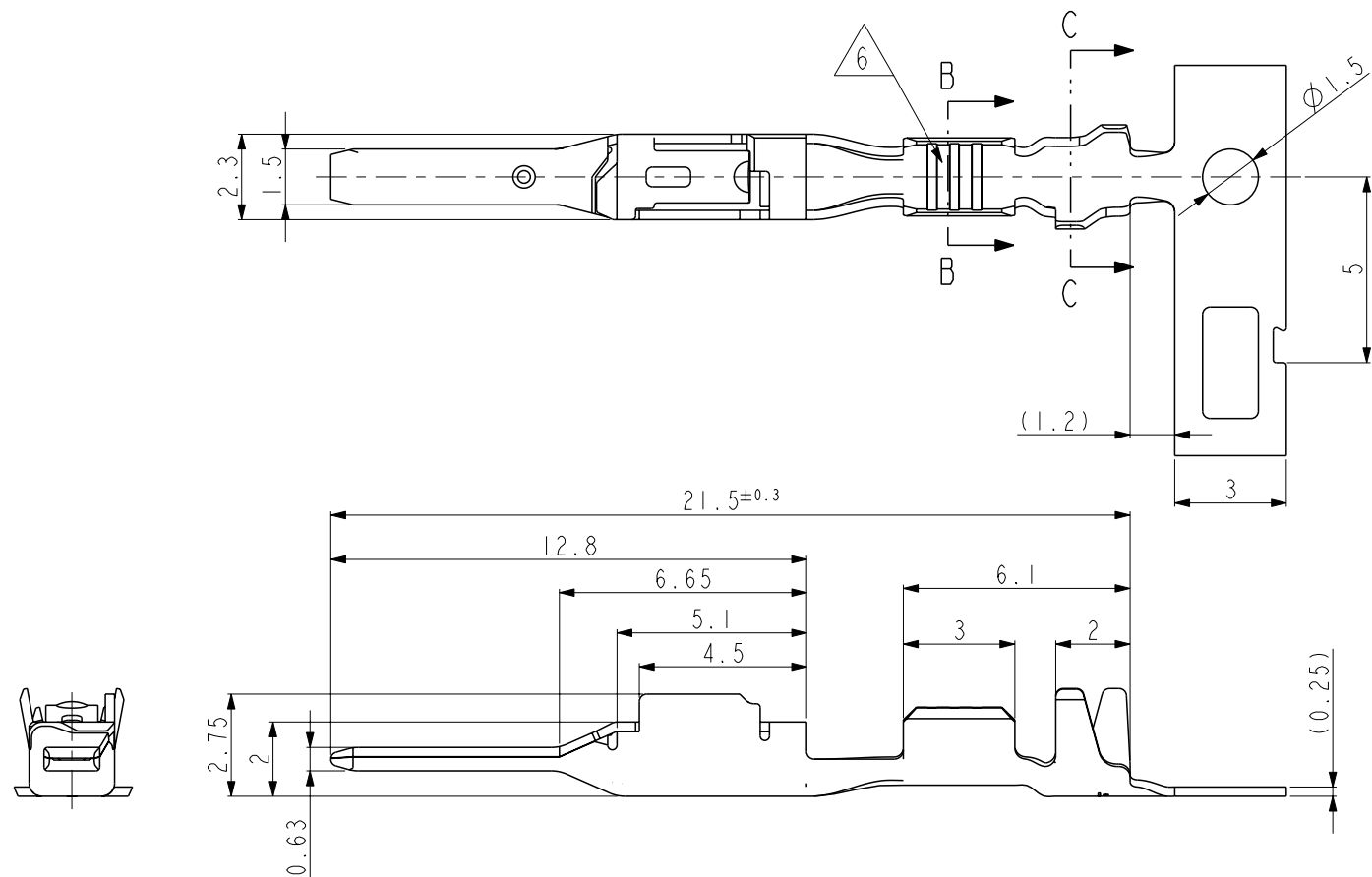
DIST

REVISIONS

© COPYRIGHT 20 BY -

ALL RIGHTS RESERVED.

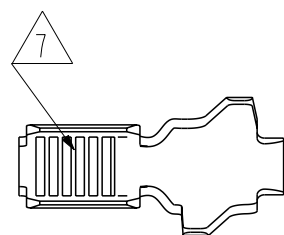
P	LTR	DESCRIPTION	DATE	DWN	APVD
	A3	REVISED (ECR-18-012518)	07.AUG.'18	JW	YJ



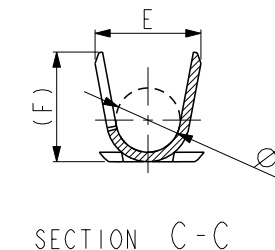
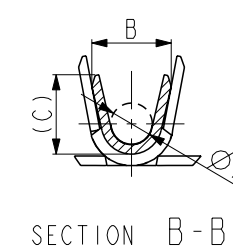
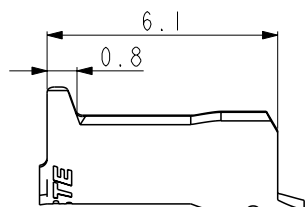
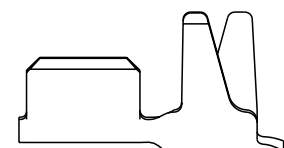
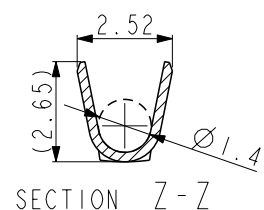
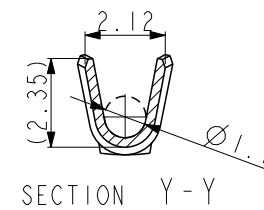
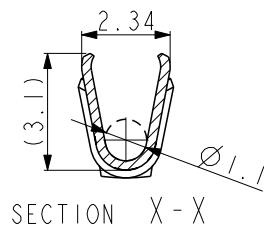
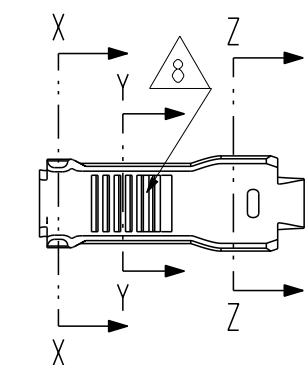
NOTES/NOTES;

- 1 MATERIAL: BRASS
- 2 FINISH: PRE-TIN PLATED
- 3. GENERAL TOLERANCE: ±0.2, ±3°
- 4. THIS PRODUCT IS DESIGNED TO BE COMPATIBLE WITH UN-SEALED APPLICATIONS.
- 5. APPLICATOR FEED: 10.0
- 6 THREE SERRATIONS CENTERED IN WIRE BARREL
- 7 SEVEN SERRATIONS CENTERED IN WIRE BARREL
- 8 COMBINED BARREL AND SEVEN SERRATIONS

PRELIMINARY-NOT RELEASED YET



PRELIMINARY-NOT RELEASED YET



SHAPE	(F)	E	ØD	(C)	B	ØA	INSUL RANGE	WIRE RANGE	FINISH	MATERIAL	DESCRIPTION	PART NO.
8							(1.4)	AL 0.75SQ	2	1	AL 060 TAB	9-2109005-2
7	(3.75)	3.65	Ø2.0	(2.95)	2.6	Ø1.3	(1.8)	AL 1.25SQ	2	1	AL 060 TAB (M)	8-2109005-3
7	(2.9)	2.8	Ø1.7	(1.7)	1.7	Ø1.1	(1.4)	AL 0.75SQ	2	1	AL 060 TAB (S)	8-2109005-2
6	(3.75)	3.65	Ø2.0	(2.95)	2.6	Ø1.3	1.8 - 2.4	0.85 - 1.25SQ	2	1	060 TAB (M)	2109005-3
6	(2.9)	2.8	Ø1.7	(2.3)	2.2	Ø1.1	1.4 - 1.9	0.5 - 0.75SQ	2	1	060 TAB (S)	2109005-2
6	(2.45)	2.4	Ø1.3	(1.7)	1.7	Ø0.8	1.0 - 1.5	0.22 - 0.35SQ	2	1	060 TAB (SS)	2109005-1

THIS DRAWING IS A CONTROLLED DOCUMENT.

DIMENSIONS: mm	TOLERANCES UNLESS OTHERWISE SPECIFIED: 0 PLC ± 1 PLC ± 2 PLC ± 3 PLC ± 4 PLC ± ANGLES ±
MATERIAL 1	FINISH 2

DWN KT JUNG	CHK KT LIM
APVD HG CHO	PRODUCT SPEC 108-61116
APPLICATION SPEC 114-61036	WEIGHT -
CUSTOMER DRAWING	

NAME 060 TAB CONTACTS			
SIZE A3	CAGE CODE 00779	DRAWING NO C-2109005	RESTRICTED TO -
SCALE 5:1		SHEET 1 OF 1	REV A3

MISSING DIMENSIONS ARE SAME WITH THREE SERRATIONS