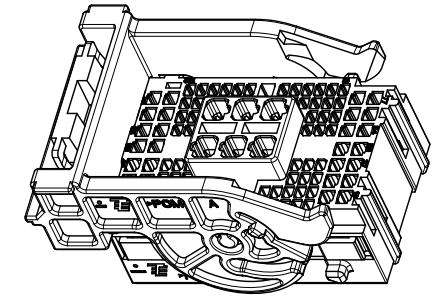


THIS DRAWING IS UNPUBLISHED. RELEASED FOR PUBLICATION
 © COPYRIGHT copyright_date ALL RIGHTS RESERVED.

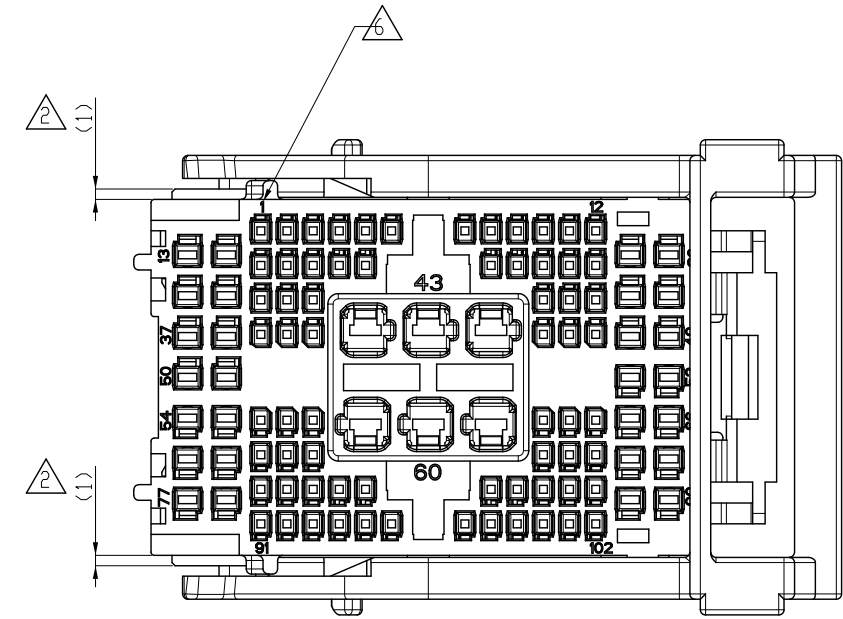
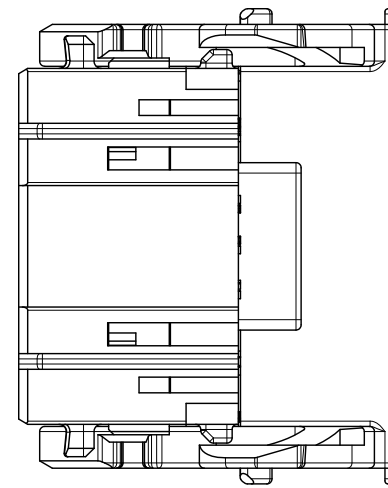
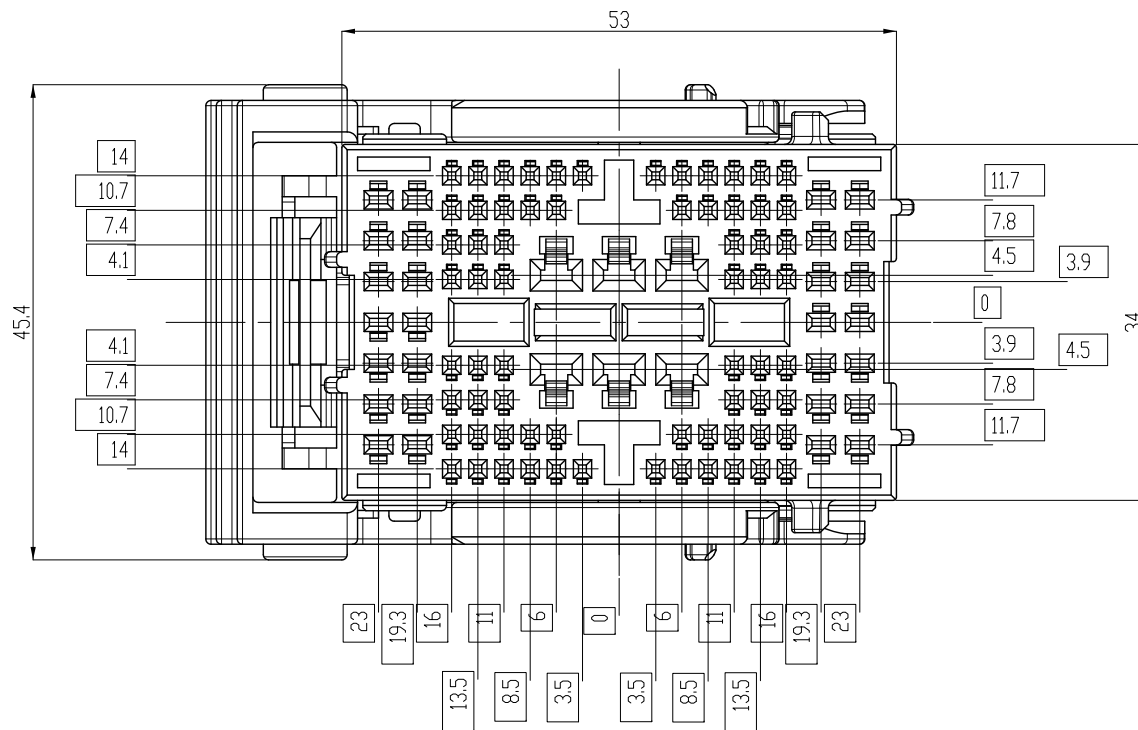
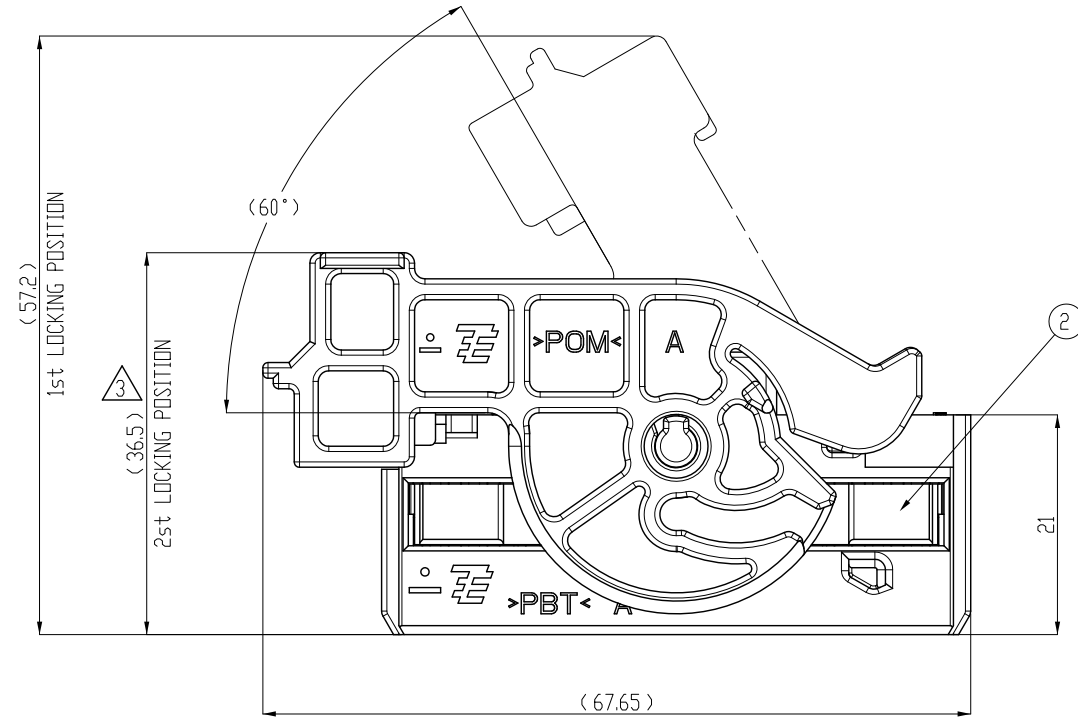
LOC	DIST	REVISIONS					
		P	LTR	DESCRIPTION	DATE	DWN	APVD
DS	-	A		RELEASED	22FEB'12	SH	HG

TABLE 1.

TYPE	FINISH	P/N	WIRE RANGE(mm^2)
.025	PRE-TIN	2005097-1	0.13~0.22
		2005427-1	0.3~0.5
.060	PRE-TIN	2109006-1	0.22~0.35
		2109006-2	0.5~0.75
		2109006-3	0.85~1.25
.110	PRE-TIN	1743162-1	0.3~0.85
		1743163-1	1.25~2.5
		1743465-1	3.0



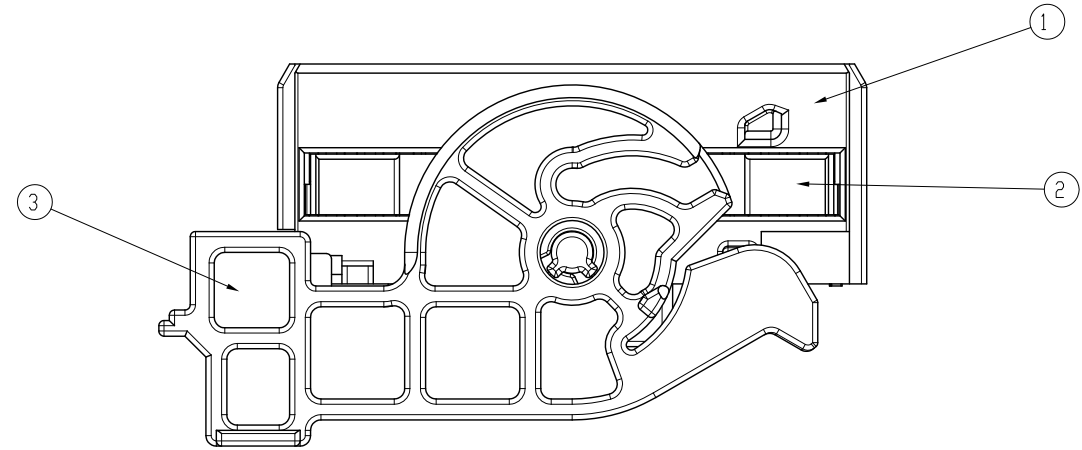
SCALE 1:1



NOTES:
 1. GENERAL TOLERANCE : ±0.3, ±3.0°
 2. CONDITION OF DELIVERY : DBL IN 1st LOCKING POSITION
 3. CONDITION OF DELIVERY : LEVER IN 2st LOCKING POSITION
 4. THE MATING HEADER ASS'Y P/N : X-2109282-X
 5. APPLICABLE RECEPTACLE CONTACT : SEE TABLE 1.
 6. CIRCUIT NUMBER

NO	COLOR/FINISH	MATERIAL	DESCRIPTION	P/N	Q'TY
3	GRAY	PDM	LEVER	2109281-3	1
2	NATURAL	PBT	PLUG DBL	2109280-1	2
1	BLACK	PBT	PLUG HSG	2109279-2	1

REV.	PLUG ASS'Y	DESCRIPTION	REMARK
1			



THIS DRAWING IS A CONTROLLED DOCUMENT. DWN SH LEE 22-Feb-12

TE Connectivity

025/060/110 HYB 102P PLUG ASSEMBLY

SIZE: A2 CAGE CODE: 00779 DRAWING NO: C-2109278 RESTRICTED TO: -

CUSTOMER DRAWING SCALE: 2:1 SHEET 1 OF 1 REV: A