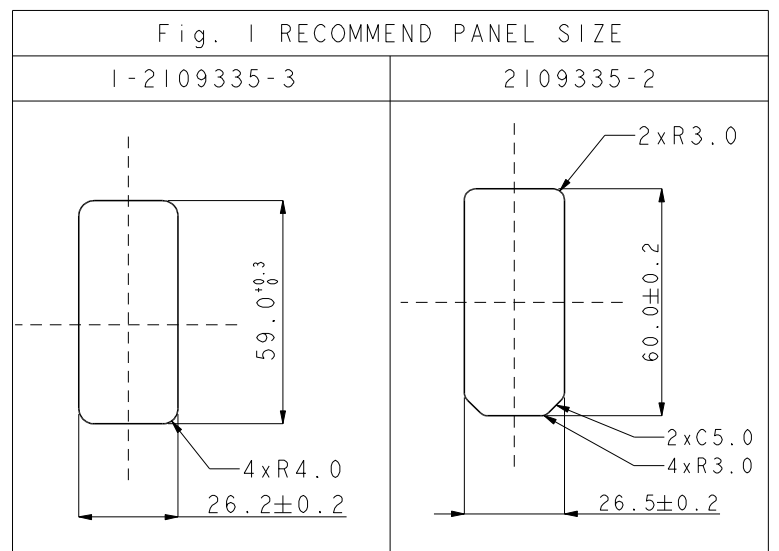
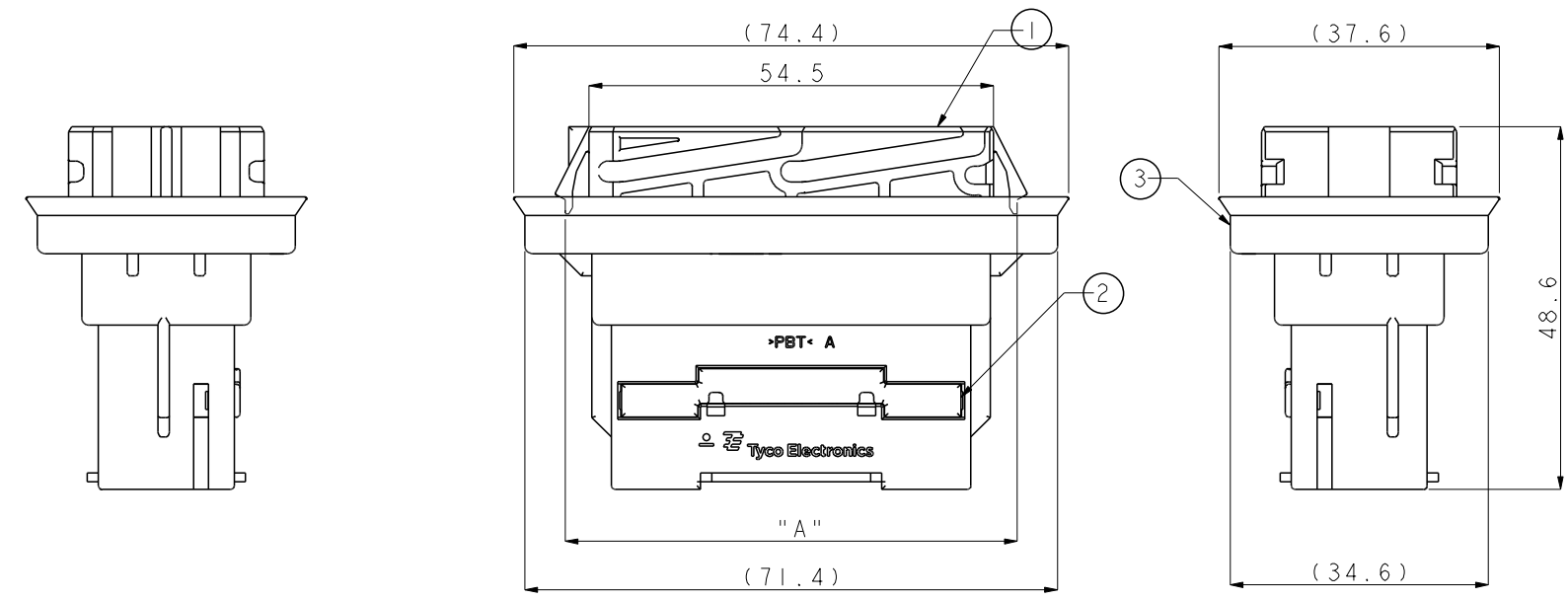


TABLE 1. APPLICABLE TAB CONTACT.

TAB	PART NO.	WIRE RANGE(mm ²)	INSULATION DIA. (mm) (FLR)	FINISH
025	2005098-1	0.13~0.22	0.9~1.05	PRE-TIN
	2005154-1	0.3~0.5	1.1~1.7	
060	2109005-1	0.22~0.35	1.0~1.5	PRE-TIN
	2109005-2	0.5~0.75	1.4~1.9	
	2109005-3	0.85~1.25	1.8~2.4	
110	2-964292-1	0.2~0.5	1.15~1.6	PRE-TIN
	2-964294-1	0.5~1.0	1.4~2.1	
	2-964296-1	1.25~2.5	2.2~3.0	

- NOTE ;
- GENERAL TOLERANCE : $\pm 0.3, \pm 3.0^\circ$
 - APPLICABLE PANEL SIZE : SEE FIG. 1
-GENERAL TOLERANCE : ± 0.1
-PANEL THICKNESS : 0.7 mm
 - APPLICABLE TAB CONTACT : SEE TABLE 1.
 - THE MATING PLUG ASS'Y P/N : 2109340
 - THE MATING COVER
- LH P/N: 2109338-2
- RH P/N: 1-2109338-2
6. DBL SUPPLY CONDITION : 1'ST LOCKING.



PART NO.	"A"
2109335-2	60.5
1-2109335-3	59.7

NO.	PART NO.	DESCRIPTION	MATERIAL	COLOR	Q'TY	ASS'Y P/N	DESCRIPTION	REMARK
3	1897484-2	PANEL SEAL	EPDM	BLACK	1	1-2109335-3		
2	2109337-1	CAP DBL	PBT	WHITE	1	2109335-2		
1	2188218-3	CAP HSG	PBT	GRAY	1			
1	2109336-2	CAP HSG	PBT	BLACK	1			

THIS DRAWING IS A CONTROLLED DOCUMENT.

DWN SJ CHOI

CHK GC KWON

APVD GC KWON

PRODUCT SPEC

APPLICATION SPEC

WEIGHT

MATERIAL

FINISH

TE Connectivity

CAP HSG ASS'Y FOR HYB(025/060/110) DOOR 50P

SIZE A300779

CAGE CODE C-2109335

DRAWING NO

RESTRICTED TO

CUSTOMER DRAWING

SCALE

SHEET OF

REV C