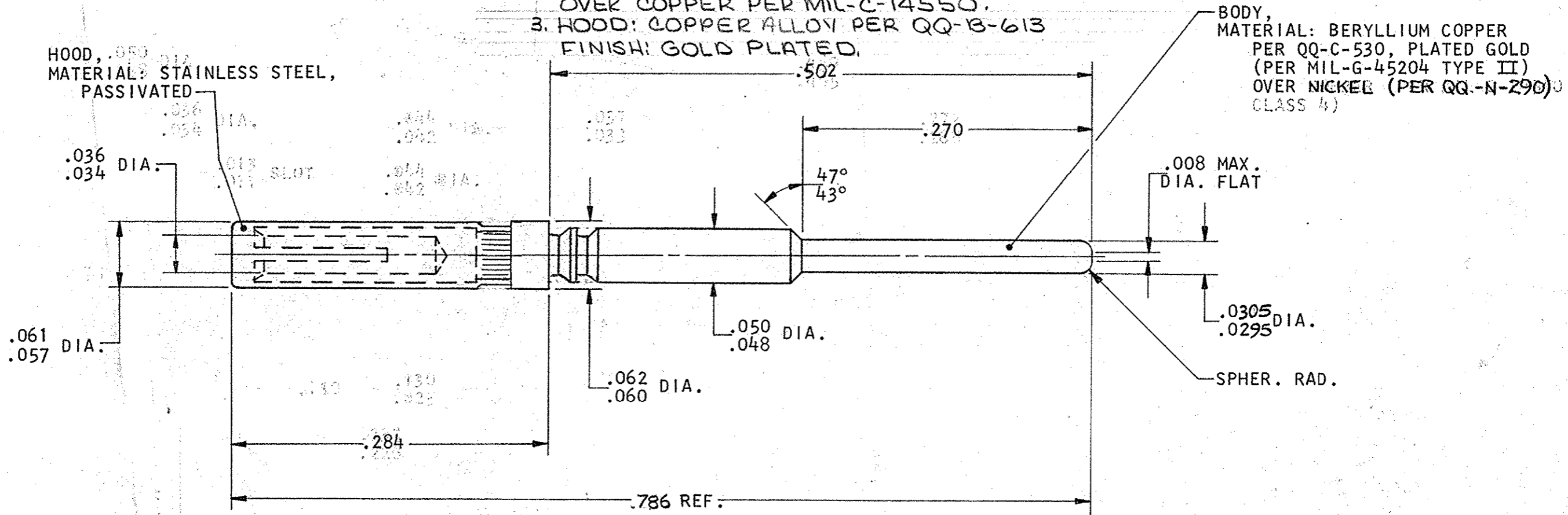


THIS DRAWING IS UNPUBLISHED. RELEASED FOR PUBLICATION FEBRUARY 25, 1982.

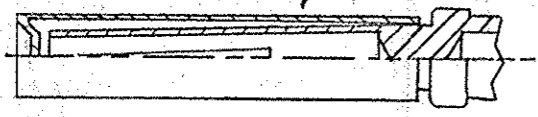
© COPYRIGHT 1982 BY AMP INCORPORATED, HARRISBURG, PA. ALL INTERNATIONAL RIGHTS RESERVED. AMP PRODUCTS MAY BE COVERED BY U.S. AND FOREIGN PATENTS AND/OR PATENTS PENDING.

1		LOC	DIST
		DE	DO
REVISIONS			
P	F	ZONE	LTR
✓	✓		E
DESCRIPTION		DATE	APPROVED
REV PER 0630-0543-03		05 15 83	LO

- 211009-1 1. AS SHOWN
- 2 1. SAME AS -1 EXCEPT:
2. SPECIAL TESTING REQ'D
- △-3 1. SAME AS -1 EXCEPT:
2. MAT'L: BERYLLIUM COPPER PER QQ-C-530.
FINISH: PLATED GOLD PER MIL-G-45204, TYPE II.
OVER COPPER PER MIL-C-14550.
3. HOOD: COPPER ALLOY PER QQ-B-613
FINISH: GOLD PLATED.



ALTERNATE CONFIGURATION FOR -1 & -2



△ 211009-3 HAS CRIMPED HOOD, C-1 & -2 ARE PRESS FIT OR CRIMPED.

UNLESS OTHERWISE SPECIFIED DIMENSIONS ARE IN INCHES. TOLERANCES ON: DECIMALS ± .005 ANGLES ± //		CONTRACT NO		PART NO	
MATERIAL SEE CALLOUT		CONTRACT NO DR. E.A. Engman 2-15-82 CHK. Larry J. Sawyer 3-9-82 APPD. [Signature] 5-18-82 APPD. [Signature] 3-19-82		AMP INCORPORATED Harrisburg, Pa.	
FINISH SEE CALLOUT		NAME CONTACT, SIZE 22, FOR HDD-22 CONNECTOR SAVER		DRAWING NO 211009	
		SIZE B		FSCM NO 00779	
		SCALE //		SHEET 1 OF 1	