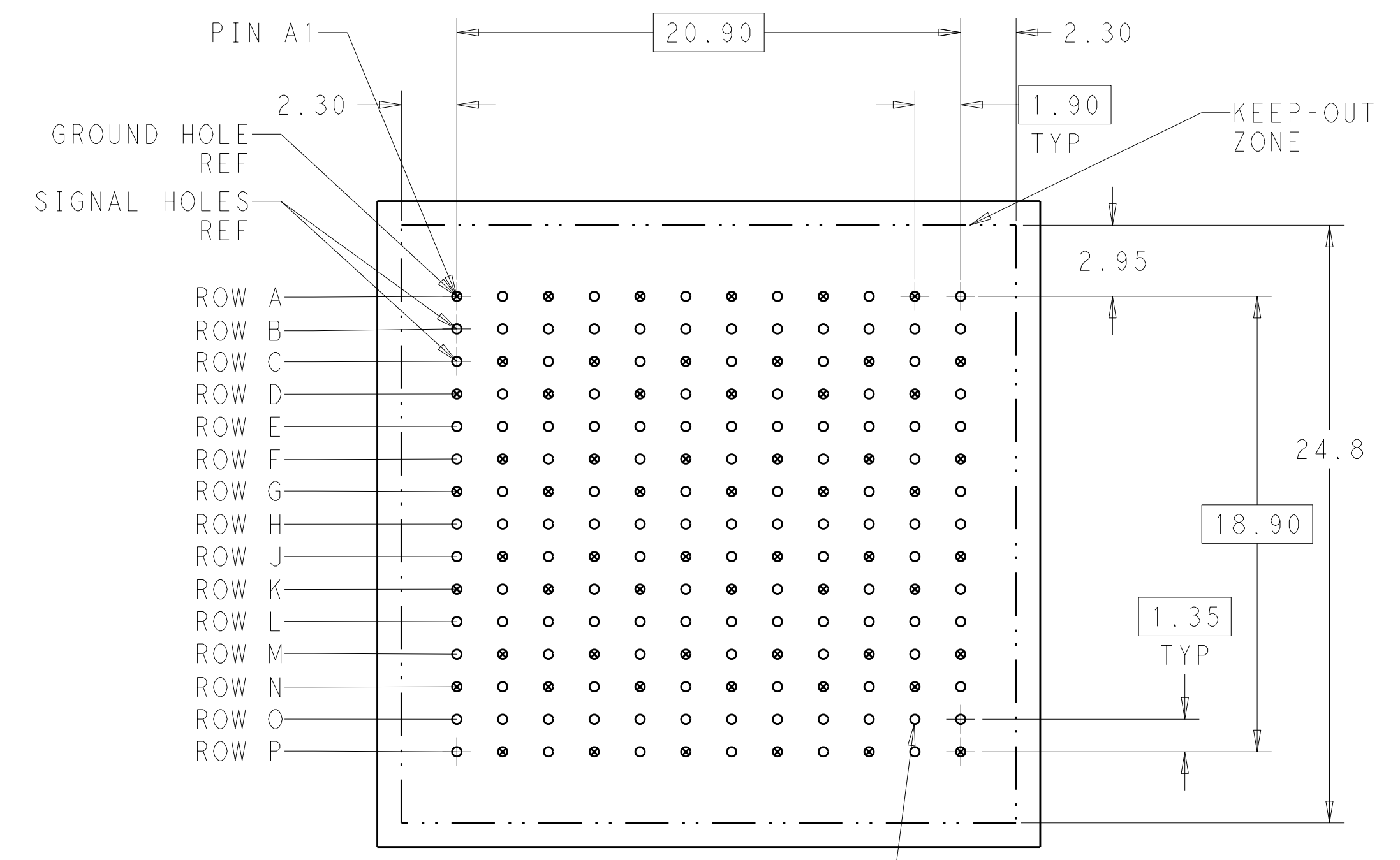
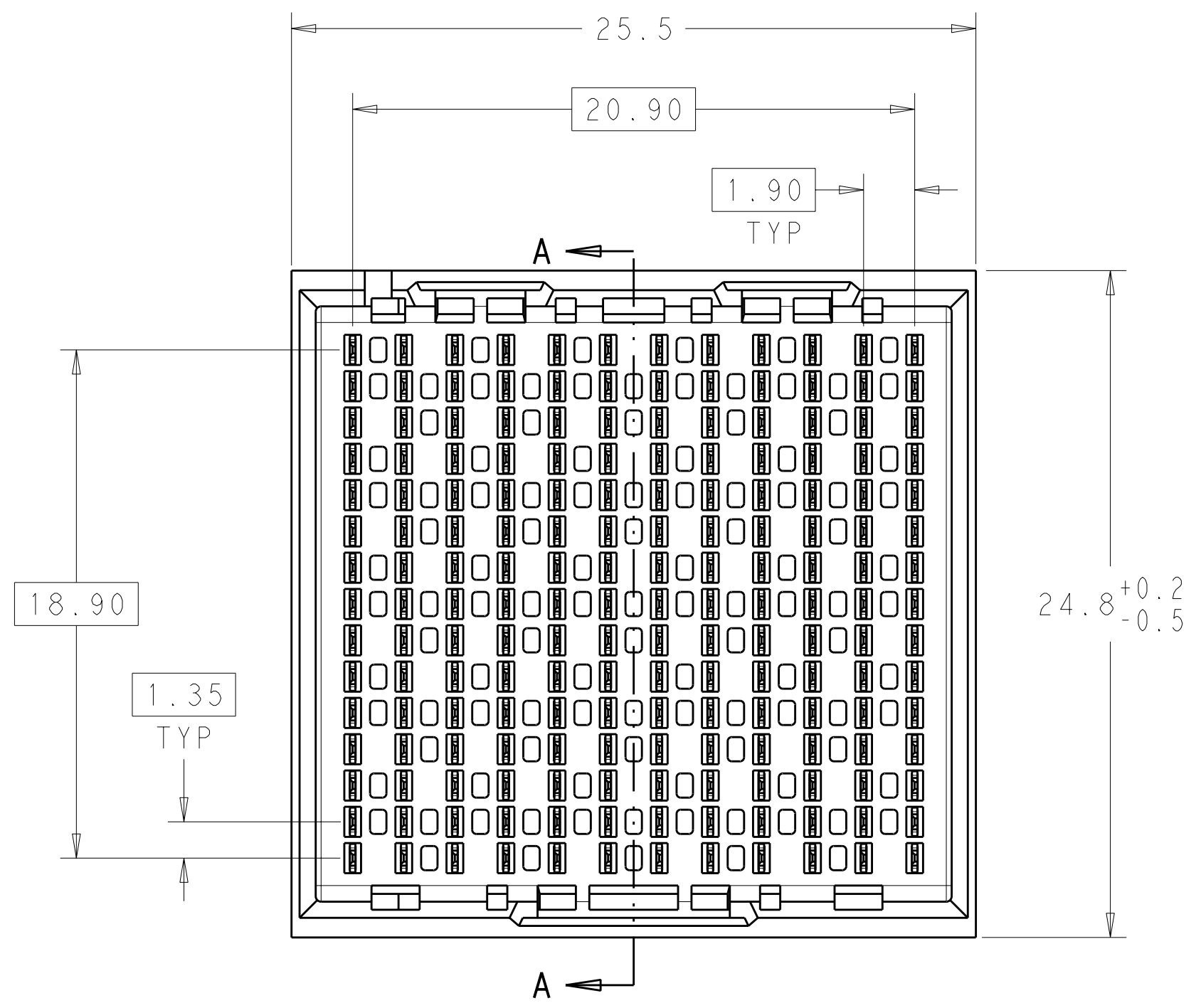
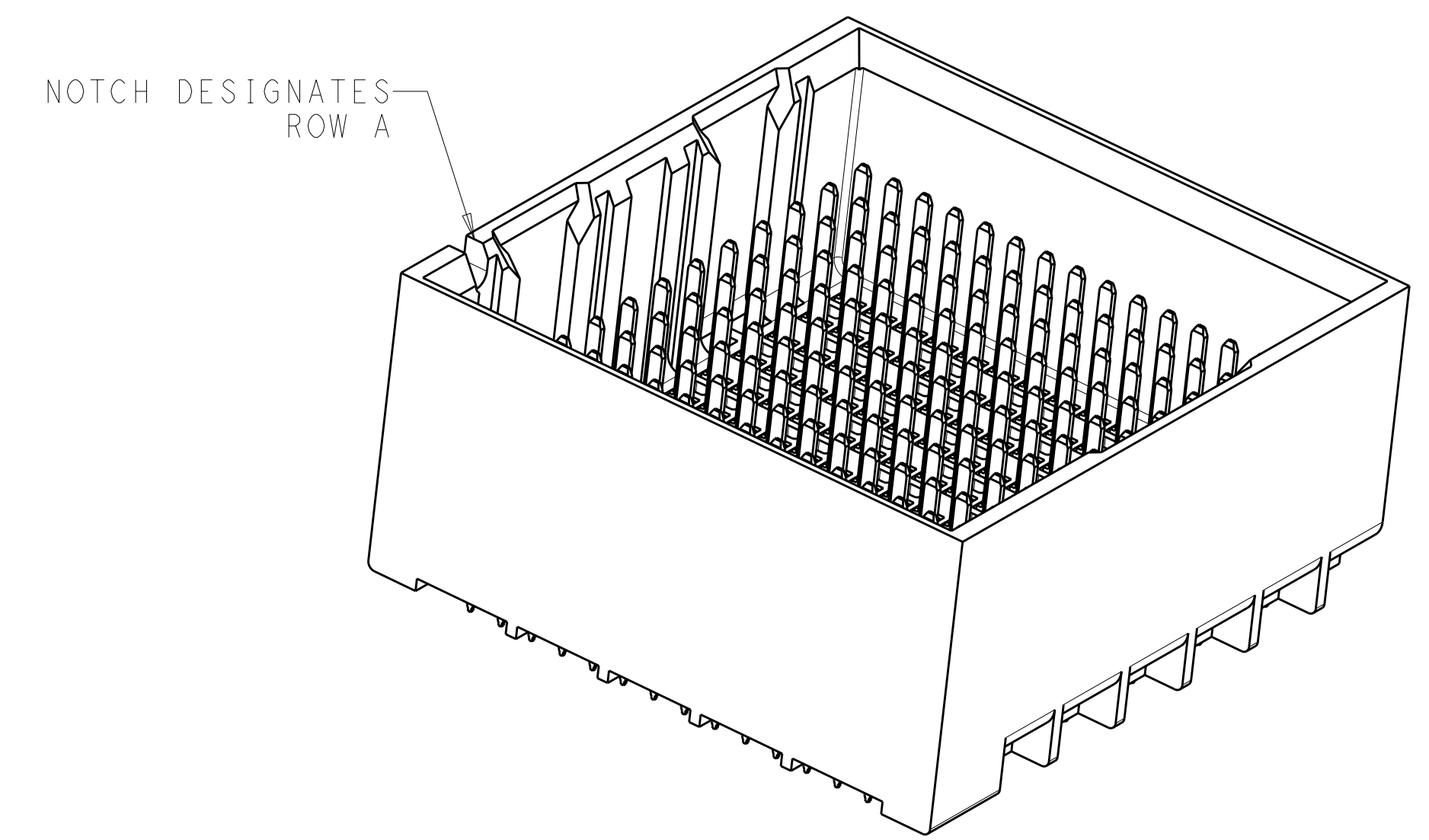


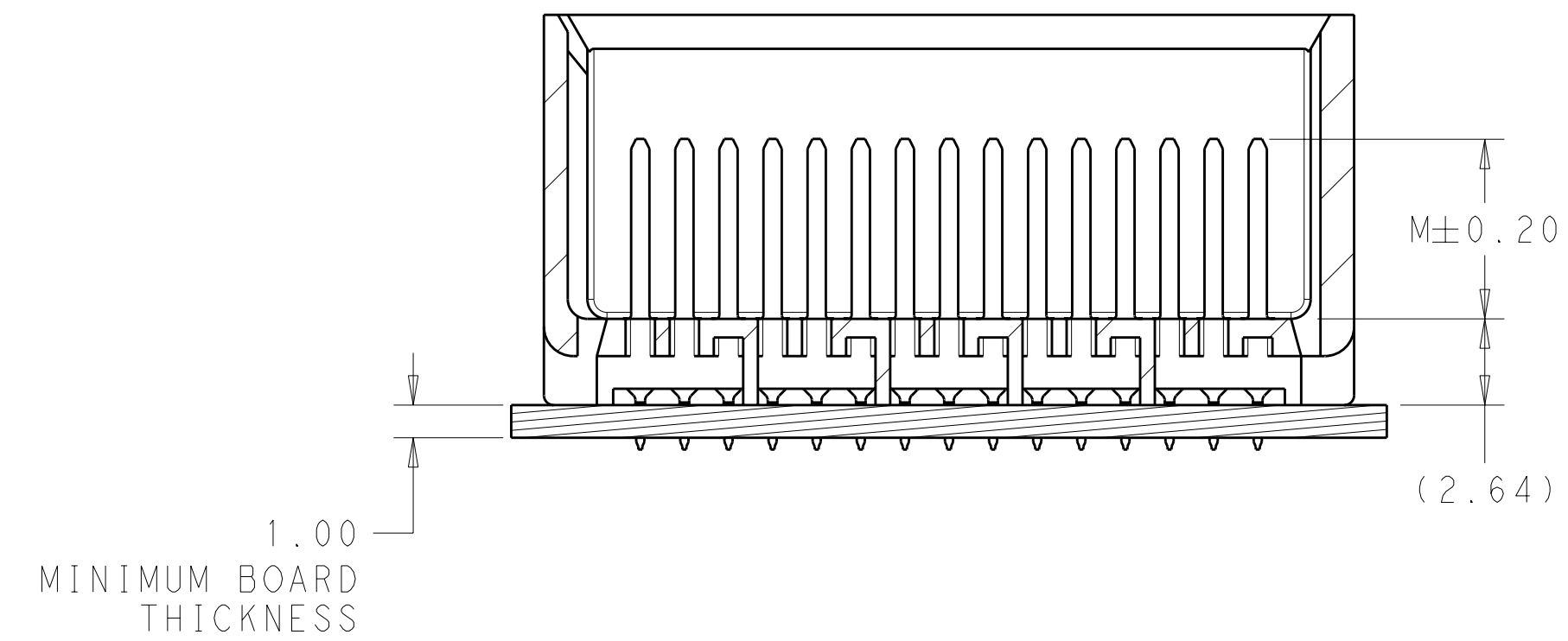
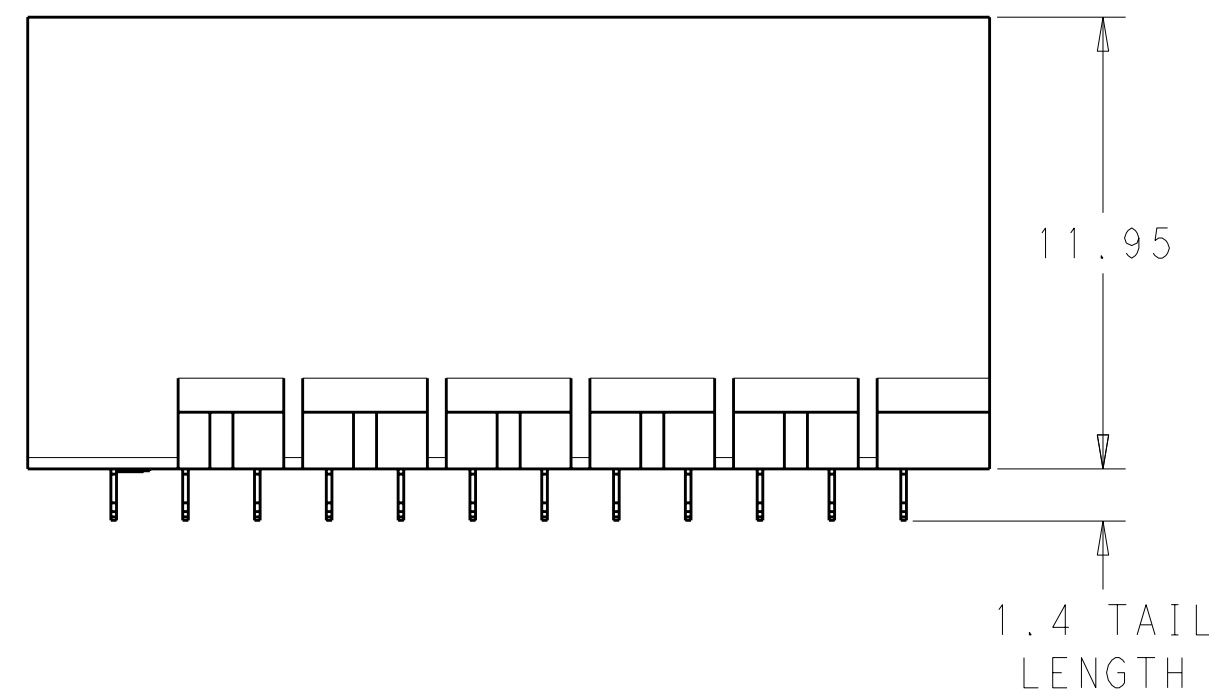
LOC	DIST	REV	DATE	BY	CHK	APPV
AD	00	A	09MAY2011	RKC	JE	

- 1 MATERIAL:
HOUSING: LCP, GLASS FILLED, UL94V-0.
TERMINALS: HIGH PERFORMANCE COPPER ALLOY.
- 2 FINISH:
30µ" MIN GOLD IN CONTACT AREA. SELECTIVE TIN
ON PCB TAILS, NICKEL OVERALL.
- 3 FINISH:
30µ" MIN GOLD IN CONTACT AREA. SELECTIVE TIN-LEAD
ON PCB TAILS, NICKEL OVERALL.



180X $\varnothing 0.39 \pm 0.05$
 $\varnothing 0.10$
 PLATED THRU HOLE

UNGUIDED
 BACKPLANE HOLE PATTERN
 (CONNECTOR SIDE)



1.00
 MINIMUM BOARD
 THICKNESS

SECTION A-A


THIS DRAWING IS A CONTROLLED DOCUMENT.		DWN RKC	06MAY2011	TE Connectivity
DIMENSIONS:		CHK J. EABY	06MAY2011	
mm	TOLERANCES UNLESS OTHERWISE SPECIFIED:	APVD J. EABY	06MAY2011	NAME IMPACT, 5 PAIR, 12 COLUMN, HEADER UNGUIDED, DUAL END WALL SIGNAL MODULE, 0.39 PTH
9 PLC ± 3 PLC ±0.25 5 PLC ±0.13 4 PLC ± ANGLES ±	FINISH SEE TABLE	PRODUCT SPEC	APPLICATION SPEC	
MATERIAL	FINISH	WEIGHT	SIZE CAGE CODE DRAWING NO	RESTRICTED TO
			A100779C=2110193	
CUSTOMER DRAWING			SCALE 5:1	SHEET 1 OF 2 REV A

THIS DRAWING IS UNPUBLISHED. RELEASED FOR PUBLICATION 20
 © COPYRIGHT 20 BY ALL RIGHTS RESERVED.

LOC	DIST	REVISIONS				
AD	00	P	LTG	DATE	DWN	APVD
		-	-	SEE SHEET 1	-	-

FINISH	DIM M	PART NUMBER
\triangle_3	5.5	2110193-6
\triangle_3	4.9	2110193-5
\triangle_3	4.5	2110193-4
\triangle_2	5.5	2110193-3
\triangle_2	4.9	2110193-2
\triangle_2	4.5	2110193-1

REFER TO WWW.TE.COM
FOR PRODUCT AVAILABILITY

THIS DRAWING IS A CONTROLLED DOCUMENT.		DWN RKC	06MAY2011	 TE Connectivity
DIMENSIONS: mm		CHK J. EABY	06MAY2011	
TOLERANCES UNLESS OTHERWISE SPECIFIED: 9 PLC ± 7 PLC ±0.25 5 PLC ±0.13 4 PLC ± ANGLES ±		APVD J. EABY	06MAY2011	NAME IMPACT, 5 PAIR, 12 COLUMN, HEADER UNGUIDED, DUAL END WALL SIGNAL MODULE, 0.39 PTH
MATERIAL -		FINISH SEE TABLE	WEIGHT -	SIZE CAGE CODE DRAWING NO A100779C=2110193
CUSTOMER DRAWING			SCALE 5:1	SHEET 2 OF 2 REV A