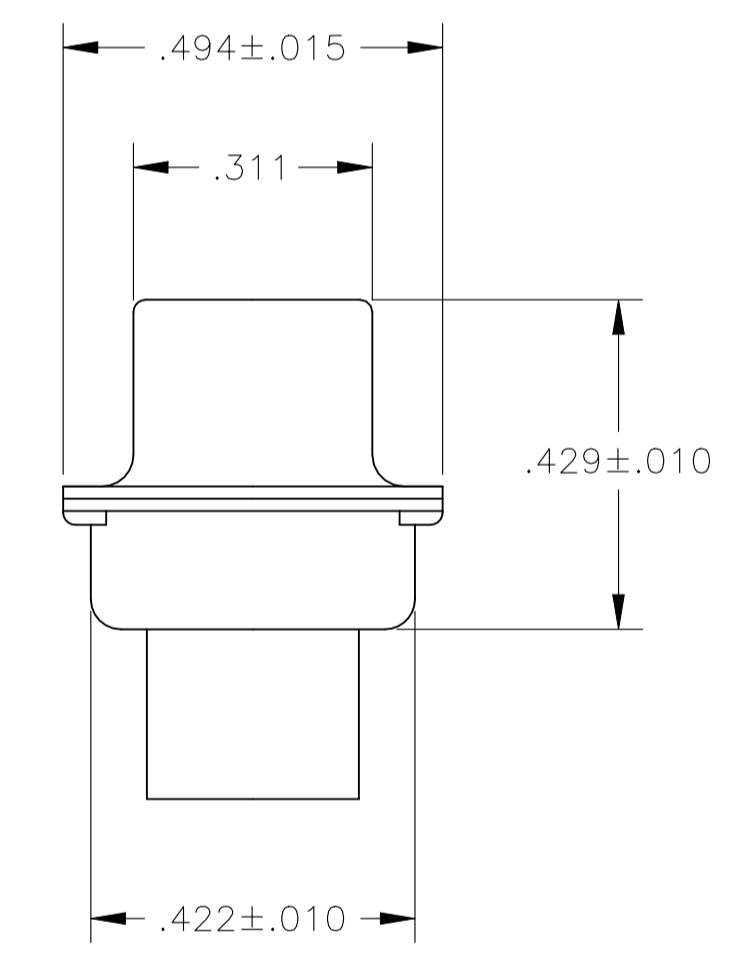
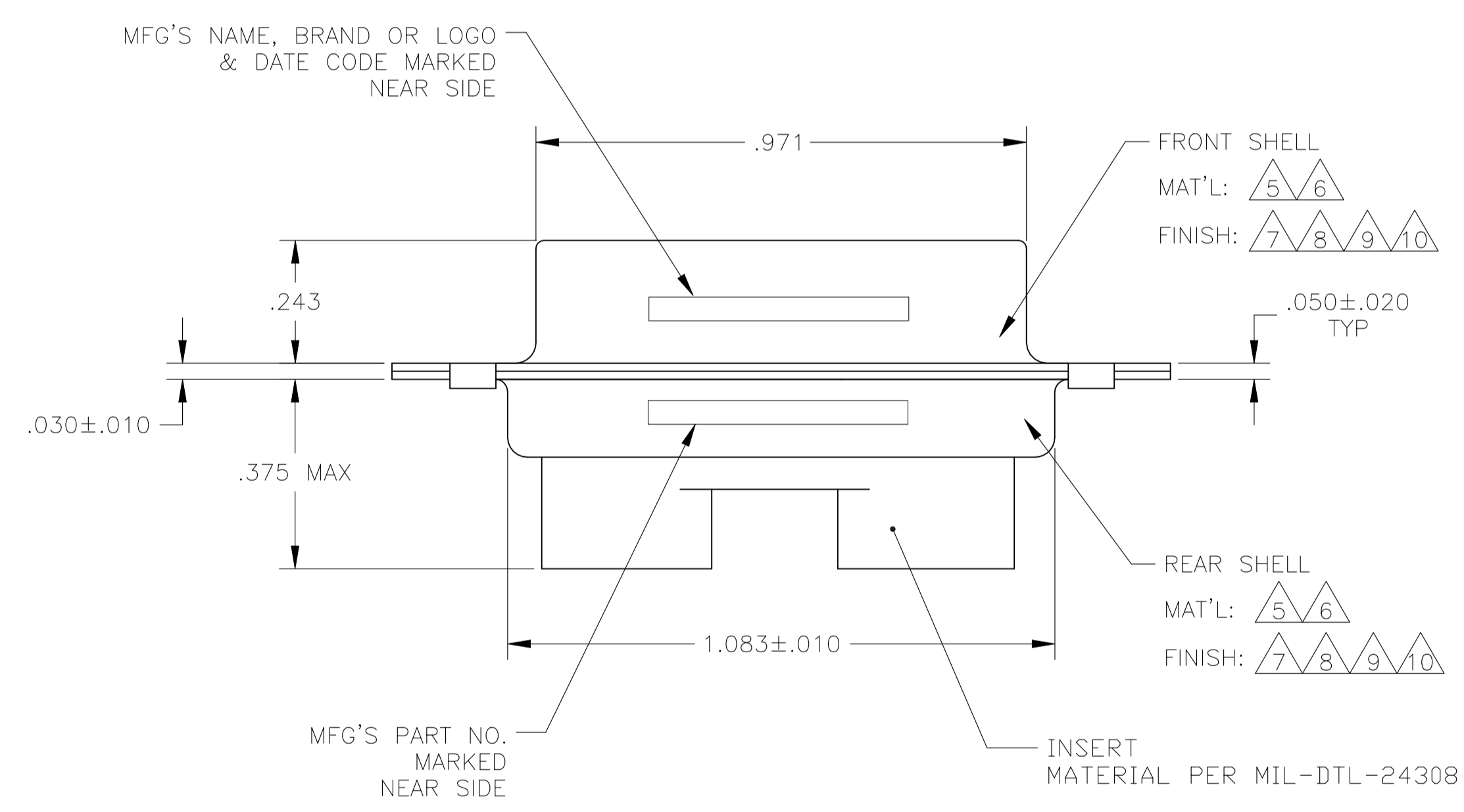
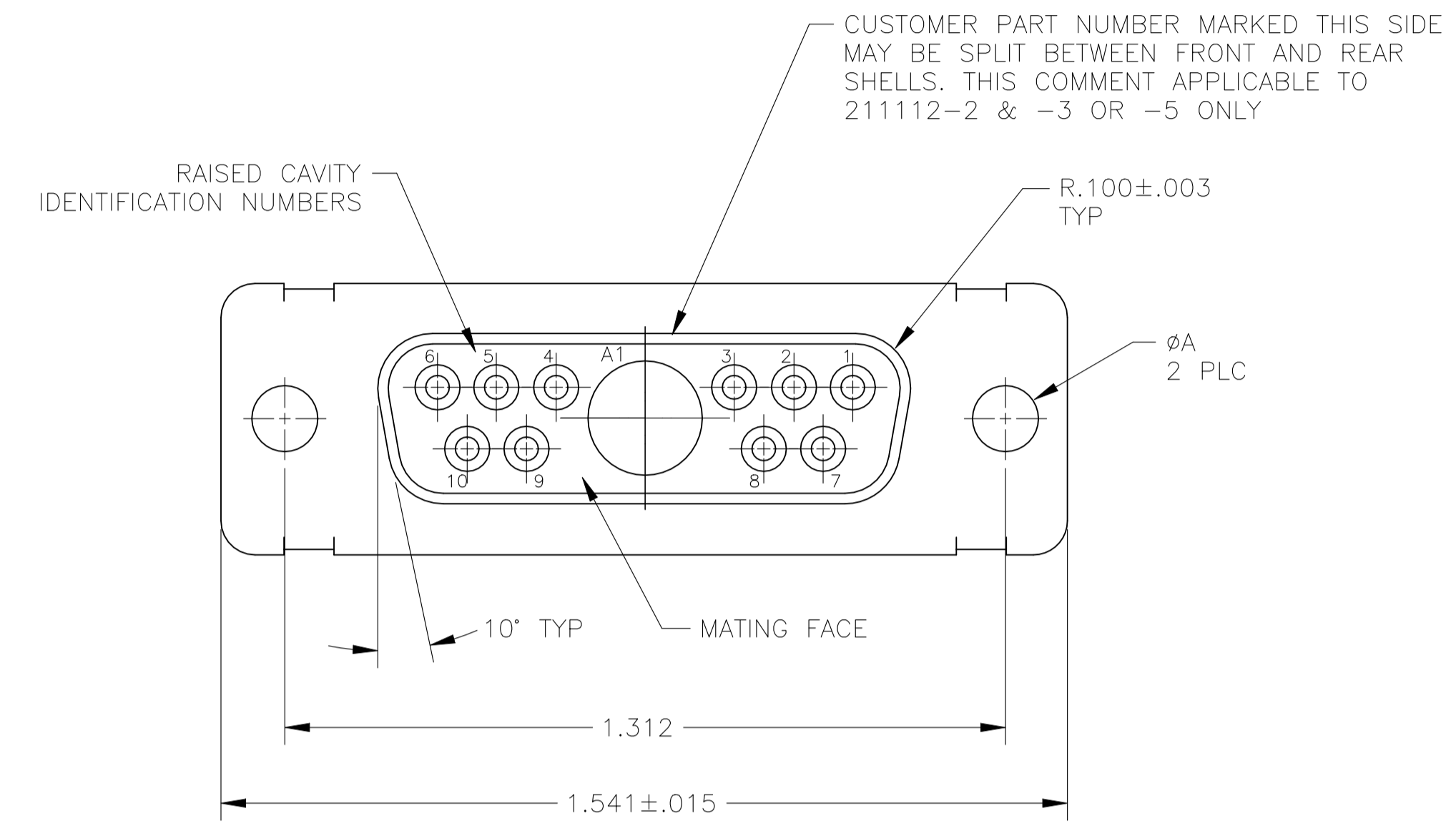


REVISIONS				
P	LTR	DESCRIPTION	DATE	APP'D
V		REVISED PER ECN-24-272098	24JUN2024	PE DS

WARNING - THIS DOCUMENT CONTAINS TECHNOLOGY WHOSE EXPORT IS RESTRICTED BY THE EXPORT ADMINISTRATION REGULATIONS ("EAR") PURSUANT TO 15 C.F.R. PARTS 730-774. VIOLATIONS OF THE EAR ARE SUBJECT TO SEVERE CRIMINAL PENALTIES UNDER THE EXPORT CONTROL REFORM ACT, AS AMENDED (TITLE 50, U.S.C., SEC. 4801, ET SEQ.).

- THIS RECEPTACLE WILL MATE WITH ANY 11C1, SIZE 2 PLUG IN AMPLIMITE SERIES.
- MAXIMUM WIRE INSULATION TO BE USED WITH THIS RECEPTACLE IS  $\phi.068$ .
- THIS CONNECTOR ACCEPTS (1) POWER 8, OR COAX SOCKET CONTACT IN POSITION A1, PURCHASED SEPARATELY.
- THIS CONNECTOR ACCEPTS SIZE 20 SOCKET CONTACTS IN POSITIONS 1 THRU 10, PURCHASED SEPARATELY.
- STEEL PER ASTM-A-109.
- BRASS PER MIL-C-50 AND ASTM-B-36 UNS NO. C26000.
- CADMIUM PLATED PER QQ-P-416.
- GOLD PLATED PER MIL-G-45204 TYPE II, GRADE C, CLASS 1 OVER COPPER PER MIL-C-14550, CLASS IV.
- FINISH: TIN PER ASTM-B-545 .000400 MIN THK OVER COPPER PER AMS2418 .000050 MIN THK.
- FINISH: ZINC PLATE PER ASTM-B-633 .000200-.000400 THK WITH SUPPLEMENTARY CHROMATE (Cr3+).



5-211112-4 OBSOLETE	5 9	.120	-	5-211112-4
	5 10	.120	-	5-211112-1
	5 9	.120	-	211112-6
211112-5 OBSOLETE	6 8	.120	B010942-0038	211112-5
	5 9	.120	-	211112-4
211112-3 OBSOLETE	6 8	.154	311P405-9S-B-15	211112-3
211112-2 OBSOLETE	6 8	.120	311P405-9S-B-12	211112-2
	5 7	.120	-	211112-1
REMARKS	øA	GSFC P/N	PART NO.	

THIS DRAWING IS A CONTROLLED DOCUMENT.

DIMENSIONS: INCHES	TOLERANCES UNLESS OTHERWISE SPECIFIED:	DIN T. SHUEY 01NOV88	TE Connectivity
0. PLC ± -	1. PLC ± -	CHK A. EMADI 21JAN88	RECEPTACLE ASSEMBLY
2. PLC ± -	3. PLC ± .005(0.13)	APP'D A. EMADI 21JAN88	AMPLIMITE 11C1
4. PLC ± -	ANGLES ± 0° 30'	NAME	SERIES 109, SIZE 2, COAX MIX
MATERIAL	FINISH	SIZE	SCALE 4:1
		WEIGHT	SHEET 1 of 1
		CUSTOMER DRAWING	REV V

SIZE: A1 00779 C=211112