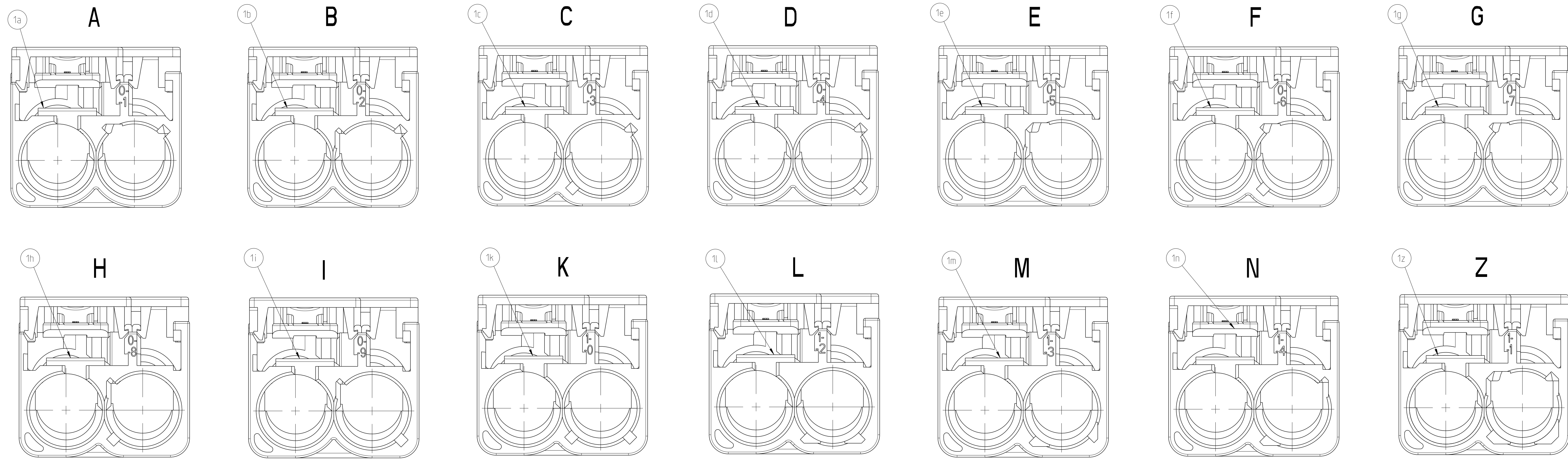
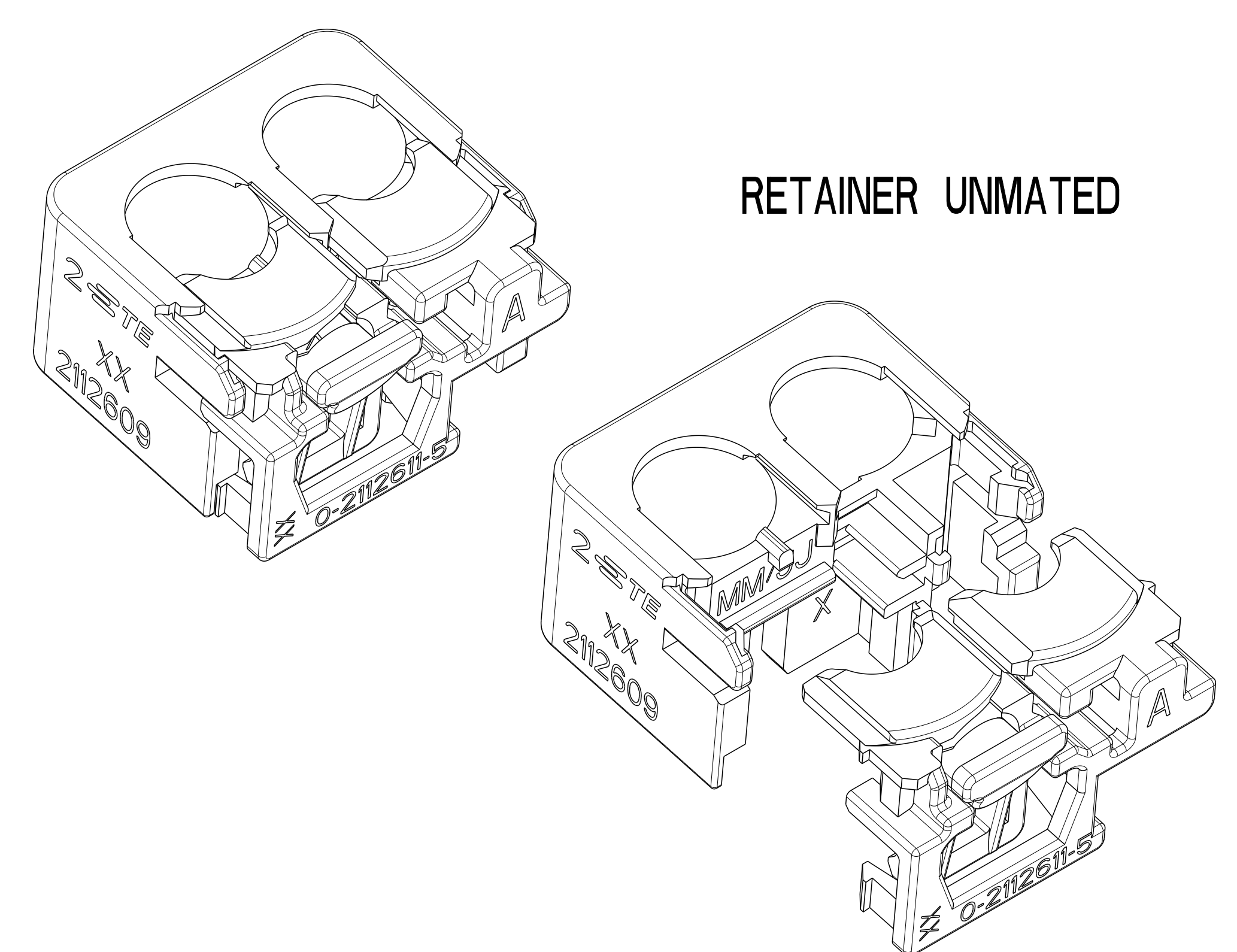


KODIERUNGEN / CODINGS



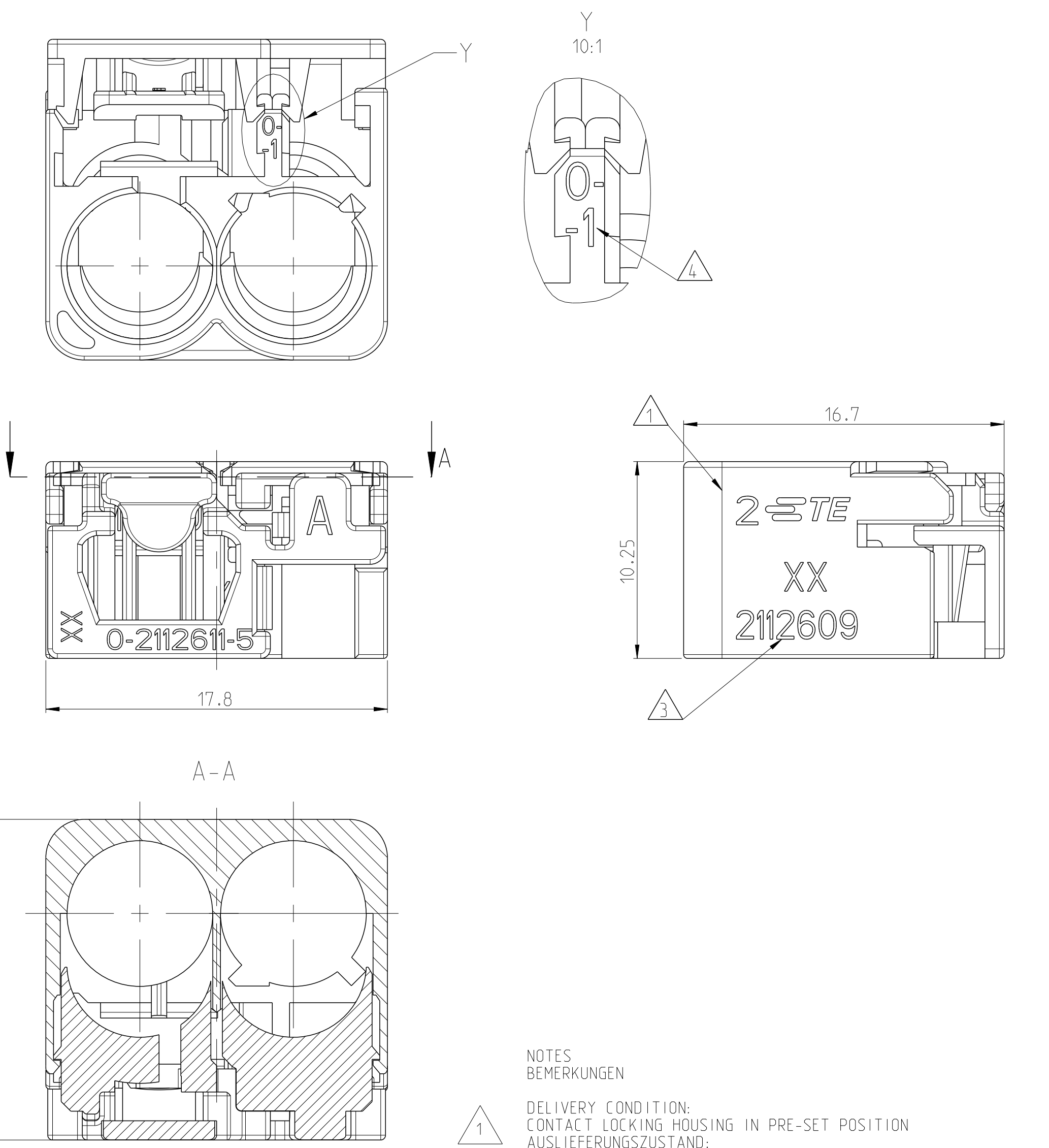
DELIVERY CONDITION
RETAINER IN PRE LOCK POSITION

RETAINER UNMATED



SHOWN ONLY FREE TURNABLE VERSION PRE & SUFFIX NO. FOR VERSION 2&3 SEE THE TABLE

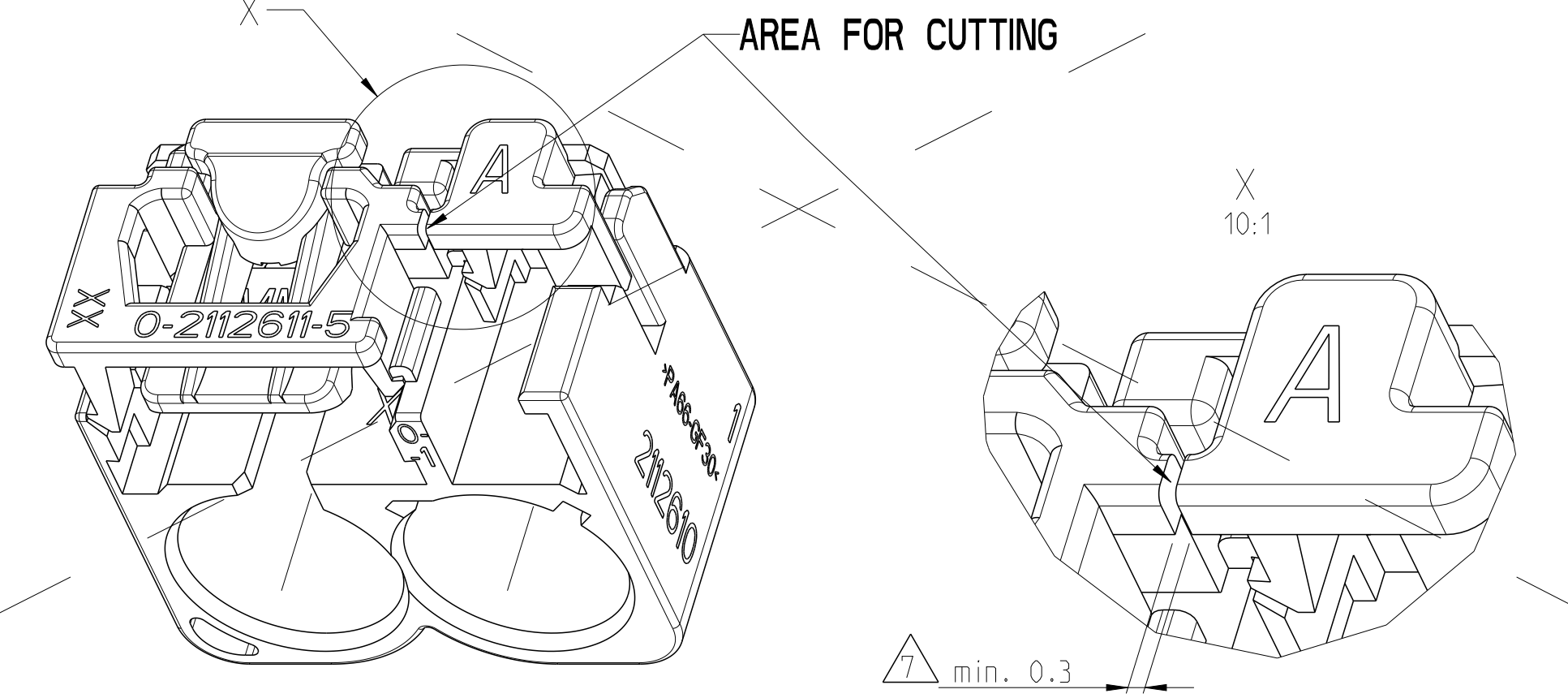
VERSION TERMINAL TURNABLE



- NOTES
BEMERKUNGEN
- 1 DELIVERY CONDITION: CONTACT LOCKING HOUSING IN PRE-SET POSITION
AUSLIEFERUNGSZUSTAND: KONTAKTVERASSTEGEHAUSE IN VORRSTELLUNG
 - 2 BULK PACKAGED
VERPACKT ALS SCHUETTGT
 - 3 TE ASSY PART NO. GENERAL, SEE TABLE
TE ASSY TEILE NR. ALLGEMEIN. SIEH. TABELLE
 - 4 TE ASSY PRE- AND SUFFIX NO. SEE TABLE
TE ASSY VOR- UND NACHSTRICH-ZAHLEN SIEHE TABELLE
 - 5 THE CONNECTION HAS TO FULFILL THE MECHANICAL AND ELECTRICAL REQUIREMENTS OF FAKRA AND IEC 169-10
IM GESTECKTEN ZUSTAND SOLLTEN DIE ELEKTRISCHEN UND MECHANISCHEN ANFORDERUNGEN NACH FAKRA UND IEC 169-10 ERFÜLLT WERDEN.
 - 6 APPLICABLE CONTACT KIDS: TE PN 0-1719252-1 / 0-1719655-1
PASSENDE CONTACT KIDS: TE PN 0-1719252-1 / 0-1719655-1
- 7 RETAINER SEPARATION OPERATION HAS TO BE DONE AFTER MOUNTING IN HOUSING. CUTTING AREA AS SPECIFIED.
KONTAKTSICHERUNG TRENNOPERATION, MUSS NACH DER MONTAGE IM GEHAUSE FOLGEN.
TRENNBEREICH WIE VORGEZEIGT.

QTY PER ASSY		RETAINER KONTAKTSICHERUNG					natural		2	
5-2112609-4	5-4	1	A	N	1	BASIS PLUG HOUSING BASISSTECKERGEHAUSE	pastel green/6019	1z	1-1452480-4	VERSION 3 HOUSING FOR 3 FIXED CABLE VERSION FOR 3 FIXED CABLE SPECIAL HOUSING VERSION TERMINAL CABLE EXIT FIXED
5-2112609-3	5-3	1	A	M	1	BASIS PLUG HOUSING BASISSTECKERGEHAUSE	pastel orange/2003	1n	1-1452480-3	
5-2112609-2	5-2	1	A	L	1	BASIS PLUG HOUSING BASISSTECKERGEHAUSE	carmine red/3002	1m	1-1452480-2	
5-2112609-1	5-1	1	A	Z	1	BASIS PLUG HOUSING BASISSTECKERGEHAUSE	water blue/5021	1l	1-1452480-1	
5-2112609-0	5-0	1	A	K	1	BASIS PLUG HOUSING BASISSTECKERGEHAUSE	curry/1027	1k	1-1452480-0	
4-2112609-9	4-9	1	A	I	1	BASIS PLUG HOUSING BASISSTECKERGEHAUSE	beige/1001	1i	0-1452480-9	
4-2112609-8	4-8	1	A	H	1	BASIS PLUG HOUSING BASISSTECKERGEHAUSE	violett/4003	1h	0-1452480-8	
4-2112609-7	4-7	1	A	G	1	BASIS PLUG HOUSING BASISSTECKERGEHAUSE	blue grey/7031	1g	0-1452480-7	
4-2112609-6	4-6	1	A	F	1	BASIS PLUG HOUSING BASISSTECKERGEHAUSE	brown/8011	1f	0-1452480-6	
4-2112609-5	4-5	1	A	E	1	BASIS PLUG HOUSING BASISSTECKERGEHAUSE	green/6002	1e	0-1452480-5	
4-2112609-4	4-4	1	A	D	1	BASIS PLUG HOUSING BASISSTECKERGEHAUSE	claret violett/4004	1d	0-1452480-4	
4-2112609-3	4-3	1	A	C	1	BASIS PLUG HOUSING BASISSTECKERGEHAUSE	blue/5005	1c	0-1452480-3	
4-2112609-2	4-2	1	A	B	1	BASIS PLUG HOUSING BASISSTECKERGEHAUSE	cream/9001	1b	0-1452480-2	
4-2112609-1	4-1	1	A	A	1	BASIS PLUG HOUSING BASISSTECKERGEHAUSE	black/9005	1a	0-1452480-1	

VERSION FOR SPECIFIC APPLICATION;
(SECOND HF TERMINAL, LOADING IN HOUSING CAN BE DONE BY CARMAKER)



THIS DRAWING IS A CONTROLLED DOCUMENT.		DATE: 29MAR2010	BY: ASH/CLM	APPD: 09APR2010
DIMENSIONS:		DRAWING NUMBER: 09APR2010		
	0 PLC	H0.5	PRODUCT SPEC	
	1 PLC	H0.5	APPLICATION SPEC	
	2 PLC	H1		
	3 PLC	H1		
MATERIAL:		WEIGHT:		
material_2	finish_spec_2			

SCALE: 5:1 SHEET 1 OF 1

STE TE Connectivity
PLUG HSG. 2WAY. 90 DEG. COAX FAKRA2
BUCHSEGEHAUSE, 2 POL. 90 GRAD.