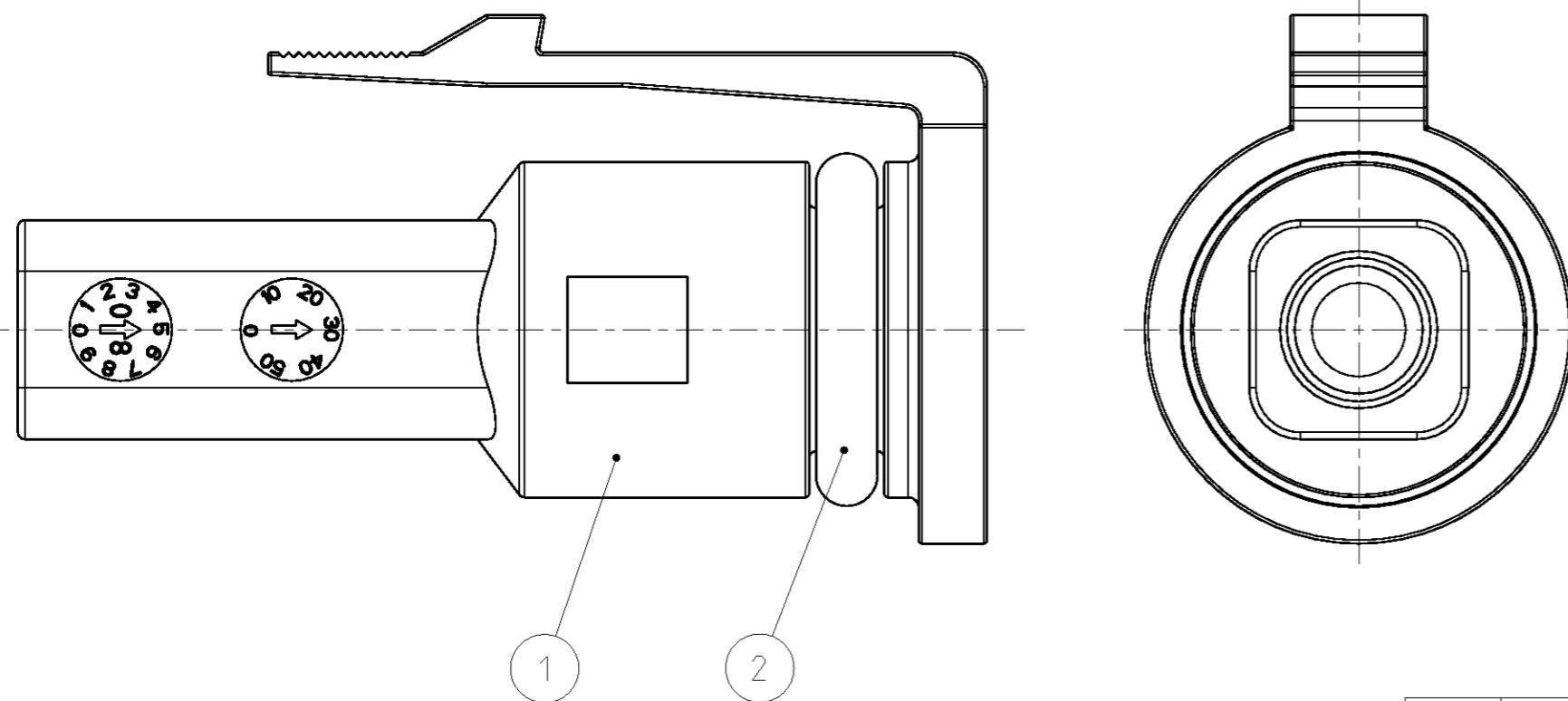
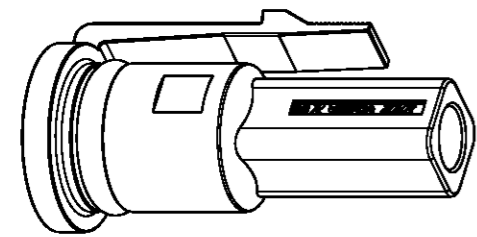


THIS DRAWING IS UNPUBLISHED. RELEASED FOR PUBLICATION 2011. ALL RIGHTS RESERVED.

LOC	DIST	REVISIONS					
A1	-	P	LTR	DESCRIPTION	DATE	DWN	APVD
PROJECT NO. B121313		A1		NEW DRAWING	07APR2011	KS	AW



- 1 PACKAGING UNIT: 200 PIECES
- 2 MINIMUM ORDER QUANTITY: 200 PIECES
- 1 VERPACKUNGSEINHEIT: 200 STÜCK
- 2 MINDESTBESTELLMENGE: 200 STÜCK



SCALE 2:1 / M 2:1

2120413-1		PART-NO. BESTELL-NR.			
-	1	2	O-RING 6.7x1.8. BLUE O-RING 6.7x1.8. BLAU	BLUE BLAU	TPE TPE
-	1	1	BLINDPLUG. NEUTRAL BLINDSTECKER. NEUTRAL	BLACK SCHWARZ	PPE+PS PPE+PS
PIECES STÜCK	ITEM-NO. POS.	DESCRIPTION BENENNUNG		SURFACE OBERFLÄCHE COLOUR/FARBE	MATERIAL

THIS DRAWING IS A CONTROLLED DOCUMENT.		DWN	23FEB2011	STE TE Connectivity													
DIMENSIONS: mm		CHK	23FEB2011														
TOLERANCES UNLESS OTHERWISE SPECIFIED:		APVD	23FEB2011														
<table border="0"> <tr><td>0 PLC</td><td>±</td></tr> <tr><td>1 PLC</td><td>±</td></tr> <tr><td>2 PLC</td><td>±</td></tr> <tr><td>3 PLC</td><td>±</td></tr> <tr><td>4 PLC</td><td>±</td></tr> <tr><td>ANGLES</td><td>±°</td></tr> </table>		0 PLC	±	1 PLC	±	2 PLC	±	3 PLC	±	4 PLC	±	ANGLES	±°	PRODUCT SPEC	108-94114	NAME BLINDPLUG, ASSY BLINDSTECKER, BAUGRUPPE	
0 PLC	±																
1 PLC	±																
2 PLC	±																
3 PLC	±																
4 PLC	±																
ANGLES	±°																
MATERIAL	FINISH	APPLICATION SPEC	114-18896	SIZE	RESTRICTED TO												
-	-	WEIGHT	-	A3	-												
CUSTOMER DRAWING			SCALE	5:1	SHEET 1 OF 1												
			REV	A1													