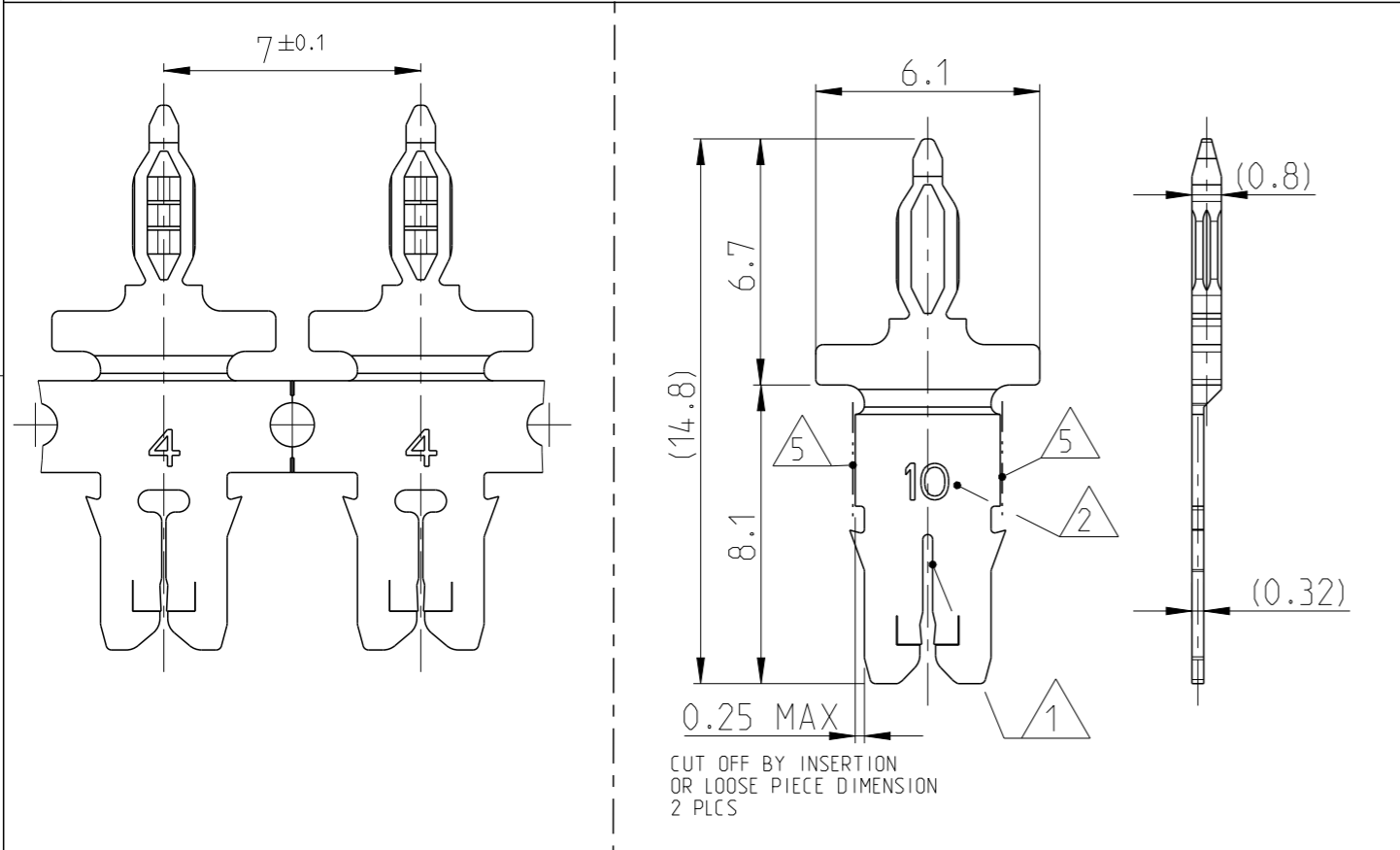
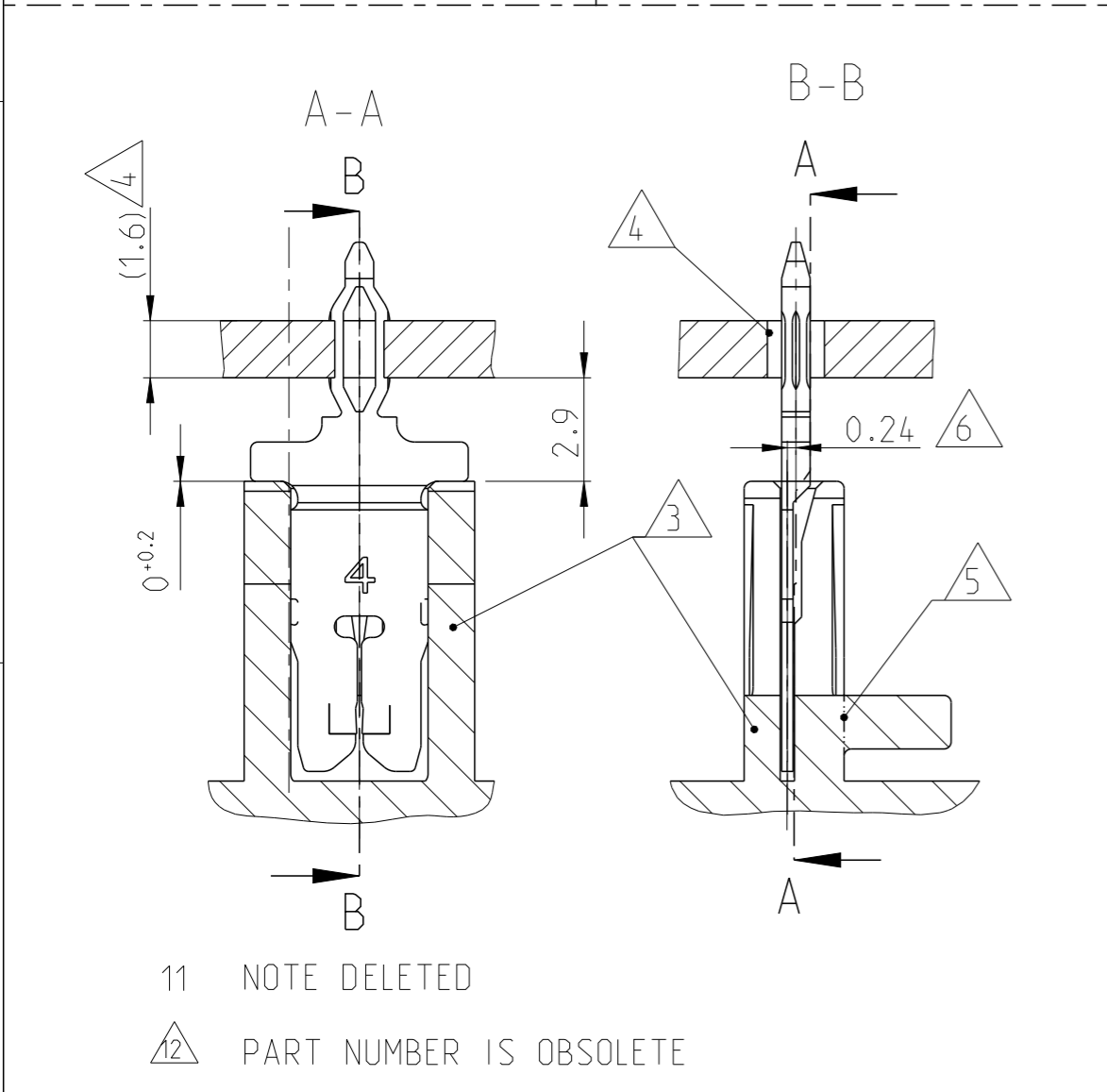


LOC	DIST	REVISIONS					
		P	LTR	DESCRIPTION	DATE	DWN	APVD
A1	-		A8	2825667-1 ADDED	15NOV2019	JA	PKS
			A9	ACTIVATED PART NUMBER 2825667-1	10MAR2020	PC	KR
			A10	REVISED PER ECR-20-010099	20JUL2020	BDA	KR
			A11	REVISED PER ECR-20-012333	09SEP2020	BDA	KR



- 1 SLOT ACCEPTS SINGLE OR DOUBLE COPPER MAGNET WIRE SAME DIAMETERS NOT FOR USE WITH ALUMINUM MAGNET WIRE
 - 2 IDENTIFICATION NUMBER FOR MAGNET WIRE RANGE
 - 3 CONTACT CAVITY AND APPLICATION ACC. SPECIFICATION 114-94229
 - 4 PCB LAYOUT, HOLES ACC. SPECIFICATION. 108-90801
 - 5 CUTTING LINE: AREA WILL BE CUTTED OFF BY TERMINATION
 - 6 CAVITY CENTER TO HOLE CENTER
 - 7 DELIVERY STATE: STRIP ON CORRUGATED REEL WITH PAPER INTERLAYER
 - 8 TO BE APPROVED, ON DEMAND BY TE ENGINEERING
 - 9 MAX. 2 SPLICES PER REEL; SPLICES BE NOT BONDED TOGETHER
 - 10 PRELIMINARY- NOT RELEASED FOR PRODUCTION.
- SEE TABLE



DIRECTION TOP OF REEL	PART NO	QTY	IDENTIFICATION NO	DOUBLE WIRE		SINGLE WIRE		PART NO
				AWG BARE WIRE RANGE	BARE WIRE RANGE	AWG BARE WIRE RANGE	BARE WIRE RANGE	
	2825667-1	24	-	19.5 - 17.5; 17	Ø 0.85mm to Ø 1.12mm	-	-	2120747-2
		12	-	22.5 - 20; 19.5	Ø 0.63mm to Ø 0.85mm	-	-	2120746-2
	2825388-1	10	26 - 23	26 - 22.5	Ø 0.4mm to Ø 0.56mm	Ø 0.4mm to Ø 0.63mm	-	2120745-2
		6	29.5 - 26.5; 26	29.5 - 26.5; 26	Ø 0.265mm to Ø 0.4mm	Ø 0.265mm to Ø 0.4mm	-	2120744-2
		4	33 - 30; 29.5	33 - 30; 29.5	Ø 0.18mm to Ø 0.265mm	Ø 0.18mm to Ø 0.265mm	-	2120743-3 2120743-2
	LOOSE PEICE PART NUMBER		IDENTIFICATION NO	DOUBLE WIRE	SINGLE WIRE	DOUBLE WIRE	SINGLE WIRE	PART NO

THIS DRAWING IS A CONTROLLED DOCUMENT.

DIMENSIONS: mm

TOLERANCES UNLESS OTHERWISE SPECIFIED:

0 PLC	±0.2
1 PLC	±0.2
2 PLC	±0.2
3 PLC	±0.2
4 PLC	±0.2
ANGLES	±1°

MATERIAL: CuNiSi FINISH: TINNED

Customer Drawing

DWN: H. Ballmert 28NOV2012
 CHK: B. Schnaubelt 30NOV2012
 APVD: T. Klenner 30NOV2012

TE Connectivity

NAME: MAG-MATE Slim Line Contact with Multispring

PRODUCT SPEC: 108-94366

APPLICATION SPEC: 3

SIZE: A3 CAGE CODE: 00779 DRAWING NO: C-2120743 RESTRICTED TO: -

SCALE: 5:1 SHEET 1 OF 1 REV: A11