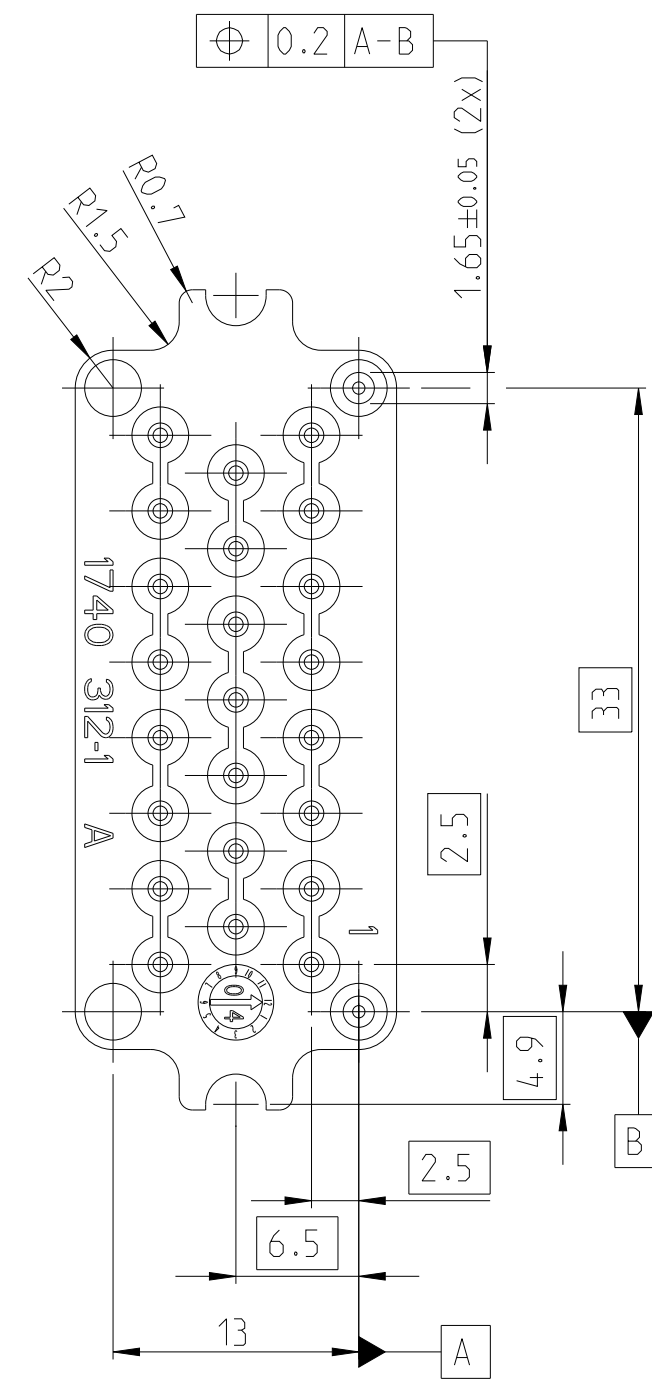
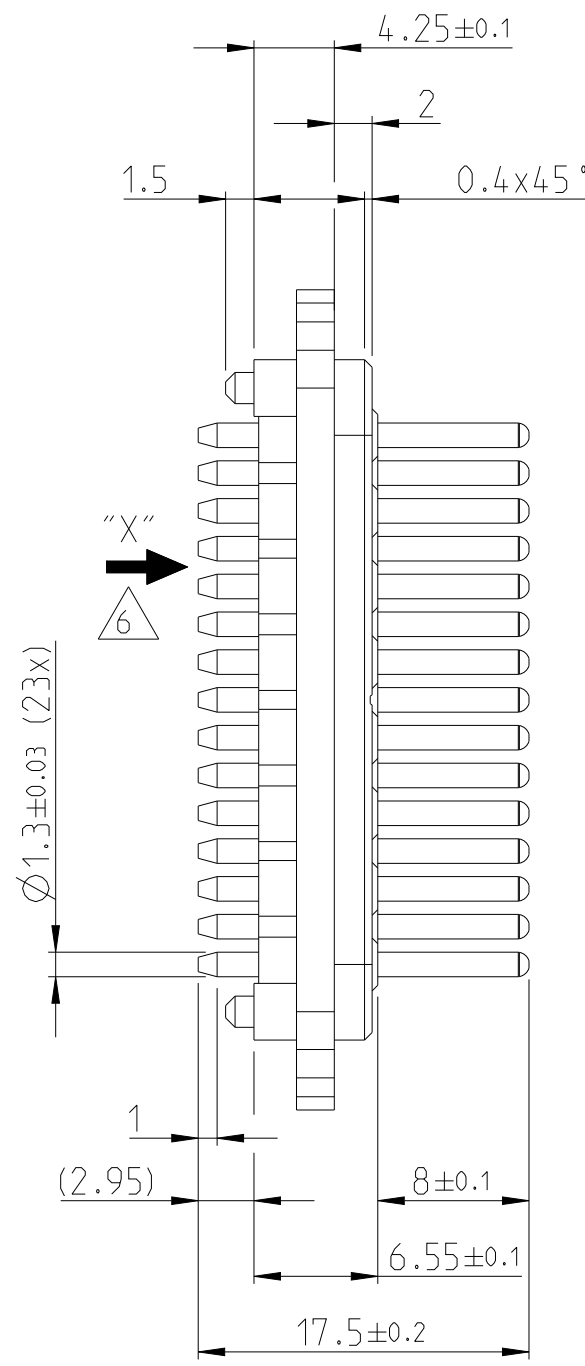
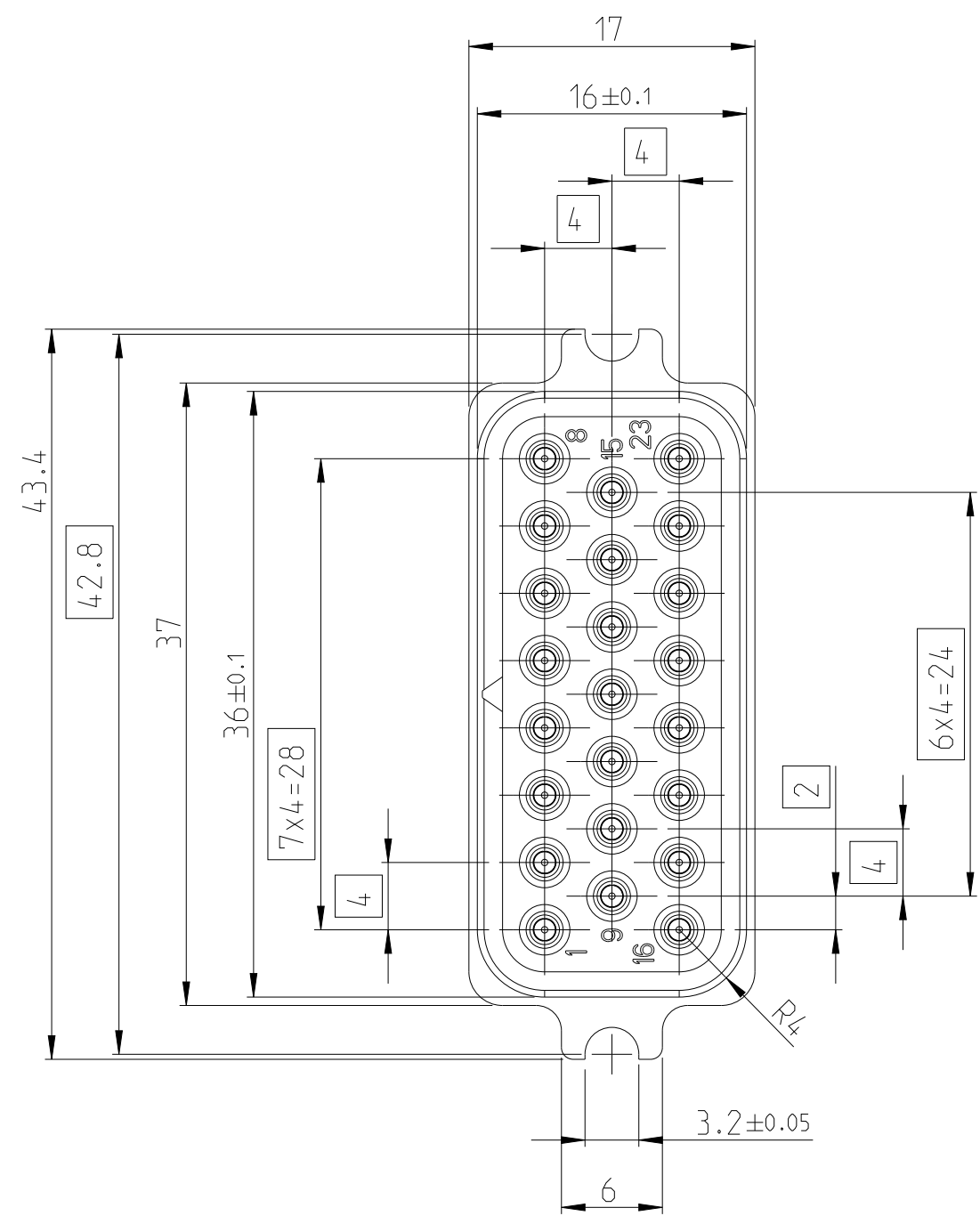
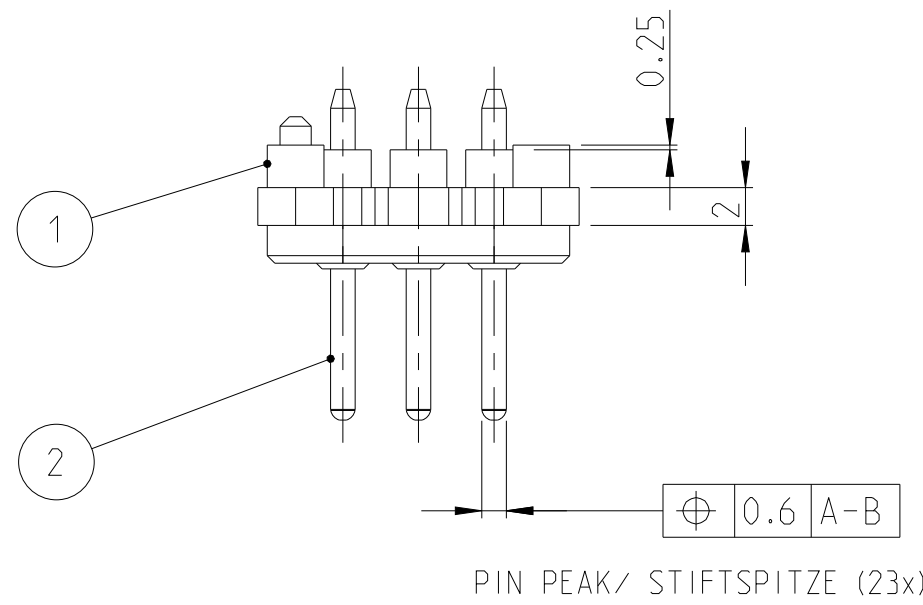


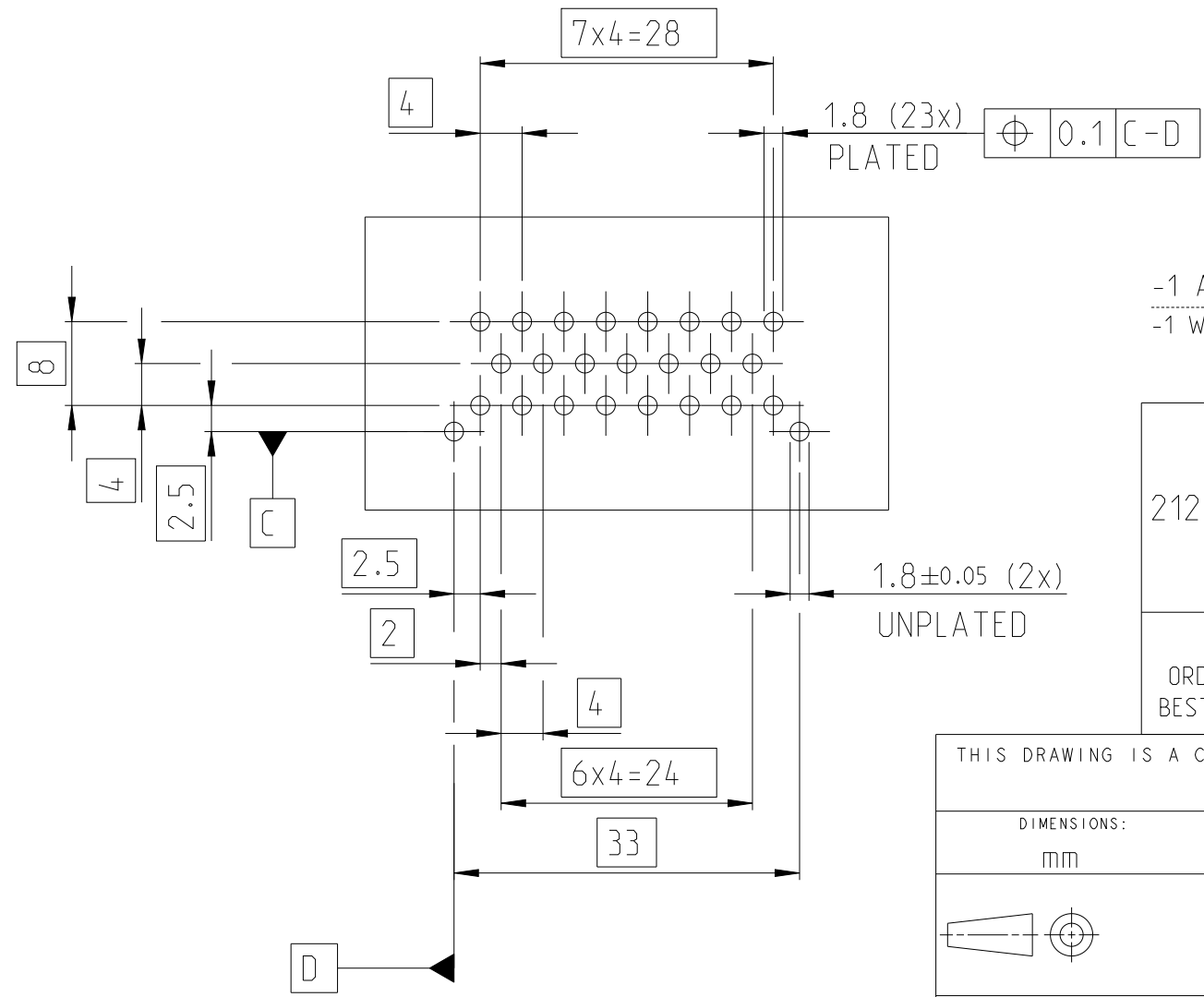
P	LTR	DESCRIPTION	DATE	DWN	APVD
A1		NEW DRAWING	14OCT2014	RK	PL
B		PIN POS. TOLERANCE EXTENSION. SO	03JUN2015	RK	PL
C		PIN CONTACT PLATING UPDATED	15JUL2019	FP	FP
C1		RETENTION FORCE ADDED	26JUN2023	G.K	S.P



- 1 SURFACE
 - 2 PACKAGING:
40 PIN HEADER PACKED IN TRAY
9 TRAYS PACKED INTO SHIPPING BOX
MIN. ORDER QTY.: 360 PARTS
 - 3 ALL $\left[\begin{array}{|c|} \hline 17.2 \\ \hline \end{array} \right]$ DIMENSIONS $\oplus 0.2$ A-B
 - 4 NOT SPECIFIED DIMENSIONS ACC. 3D-MODEL:
2120833-1
 - 5 ONLY WAVE SOLDER CAPABLE TO 240° C
 - 6 PIN RETENTION FORCE IN X-DIRECTION MIN. 20N
-
- 1 BESCHICHTUNG
 - 2 VERPACKUNG:
40 STIFTSTECKER IN PRODUKTTRAEGER VERPACKT
9 PRODUKTTRAEGER VERPACKT IN KARTON
MINDESTBESTELLMENGE: 360 TEILE
 - 3 ALL $\left[\begin{array}{|c|} \hline 17.2 \\ \hline \end{array} \right]$ MASSE $\oplus 0.2$ A-B
 - 4 NICHT SPEZIFIZIERTE MASSE ENTSPRECHEND 3D MODELL:
2120833-1
 - 5 NUR WELLEN LOETFAEHIGKEIT BIS MAX. 240° C
 - 6 STIFTAUSDRUCKKRAFT MIN. 20N IN X-RICHTUNG

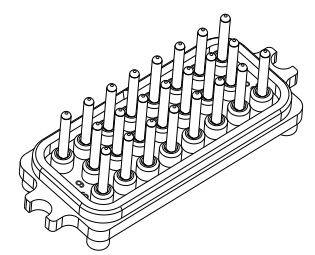


RECOMMENDED PC-BOARD LAYOUT
EMPFOHLENES LEITERPLATTENLAYOUT (3:2)

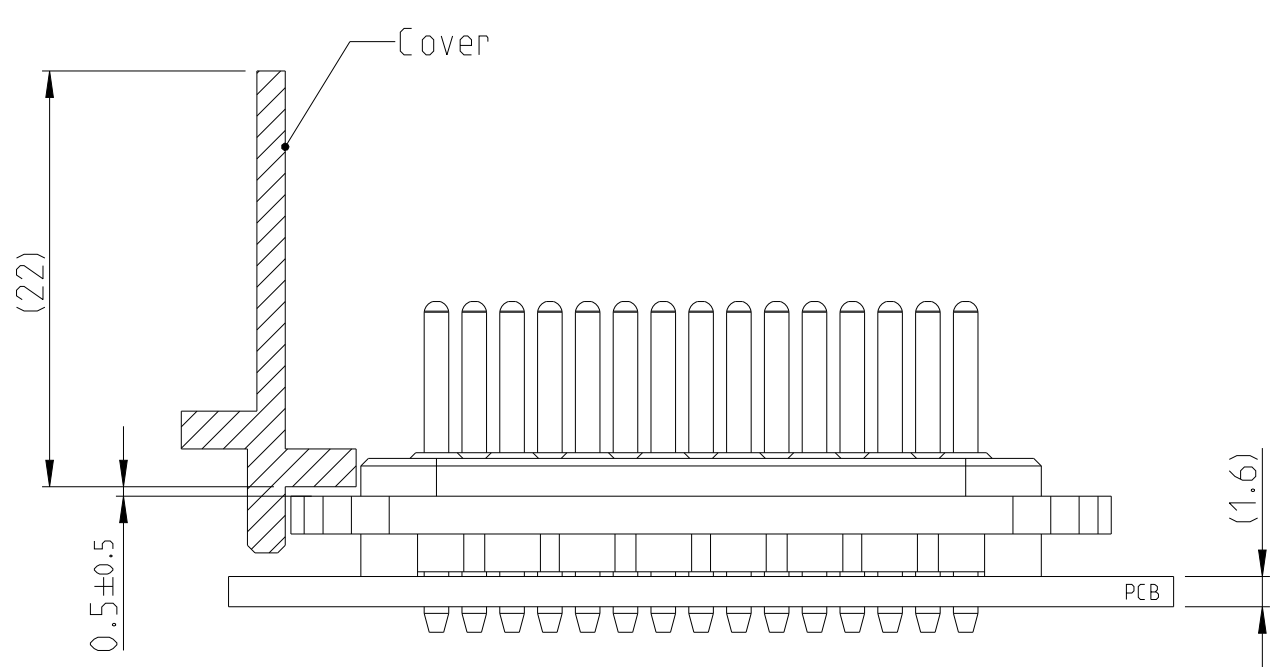


-1 AS SHOWN
-1 WIE GEZEICHNET

SCALE / M1:1



INSTALLATION HEIGHT OF PIN HEADER FOR SAFE CONTACTING WITH SOCKET CONNECTOR
EINBAUHOEHE DER STIFTLISTE FUER SICHERE KONTAKTIERUNG MIT BUCHSENSTECKER



2120833-1	2	23	PIN STIFT	CONTACT AREA: AU OVER NI SOLDER AREA: Tin over Ni KONTAKTZONE: AU UEBER NI LOETZONE: Zin ueber Ni	1	BRASS MESSING
	1	1	PIN HOUSING 23 POS. STIFTGEHAUESE 23 POL.	BLACK SCHWARZ		PA66-GF25
TE ORDER NO. BESTELL-NR.	POS.	QTY. STK.	DESCRIPTION BENENNUNG	SURFACE OBERFLAECHE COLOUR/FARBE		MATERIAL

THIS DRAWING IS A CONTROLLED DOCUMENT.

DIMENSIONS: mm	TOLERANCES UNLESS OTHERWISE SPECIFIED:	DWN RAVINDRA K 14OCT2014	NAME
	0 PLC ±0.2	CHK P. LERCHENFELD 14OCT2014	AMPSEAL PIN HEADER - 23 POS.
	1 PLC ±0.2	APVD P. LERCHENFELD 14OCT2014	AMPSEAL STIFTLISTE - 23 POL.
	2 PLC ±0.2	PRODUCT SPEC	
	3 PLC ±	APPLICATION SPEC	
	4 PLC ±		
MATERIAL	FINISH	WEIGHT 7.6g	SIZE A2
		CUSTOMER DRAWING	CAGE CODE 00779
			DRAWING NO. C-2120833
			RESTRICTED TO
			SCALE 5:2 SHEET 1 OF 1 REV C1