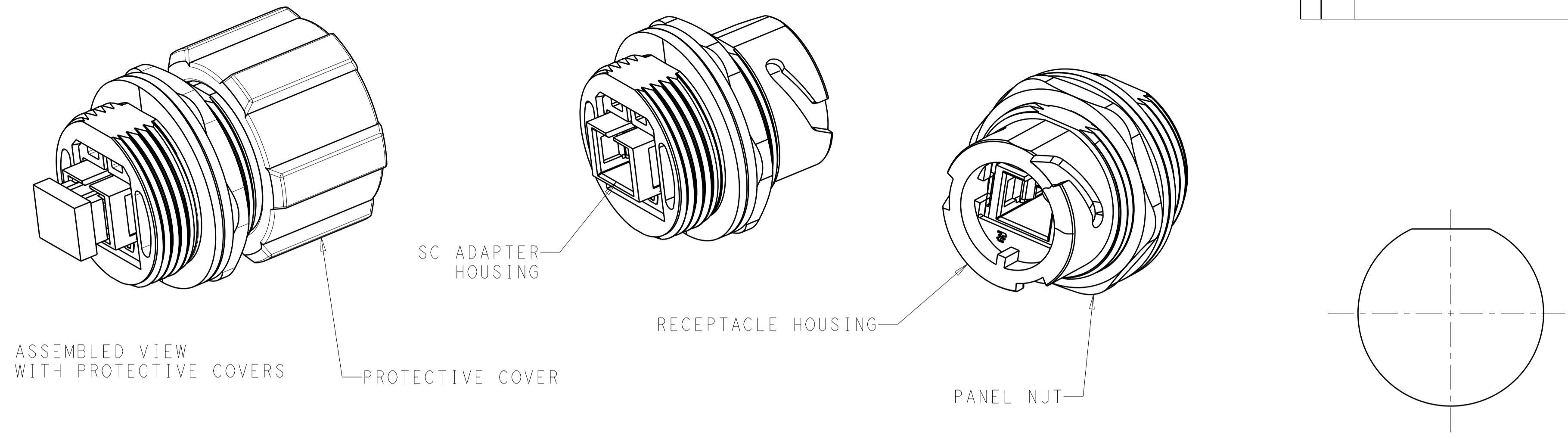


THIS DRAWING IS UNPUBLISHED. RELEASED FOR PUBLICATION 20
 © COPYRIGHT 20 BY TYCO ELECTRONICS CORPORATION. ALL INTERNATIONAL RIGHTS RESERVED.

LOC	DIST	REVISIONS			
P	LTR	DESCRIPTION	DATE	DWN	APVD
CE	00				
	1	NPR 10-139	29SEP2010	BB	SM



ASSEMBLED VIEW WITH PROTECTIVE COVERS

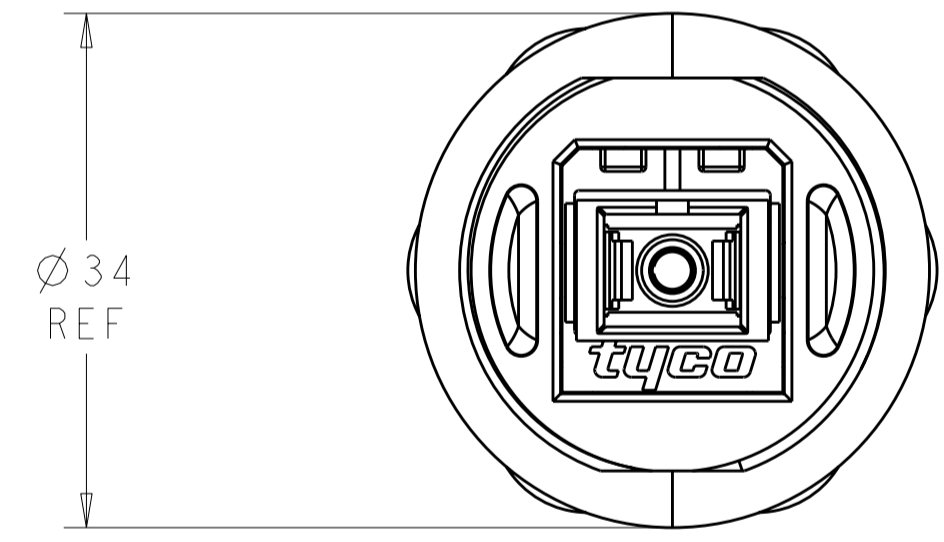
SC ADAPTER HOUSING

RECEPTACLE HOUSING

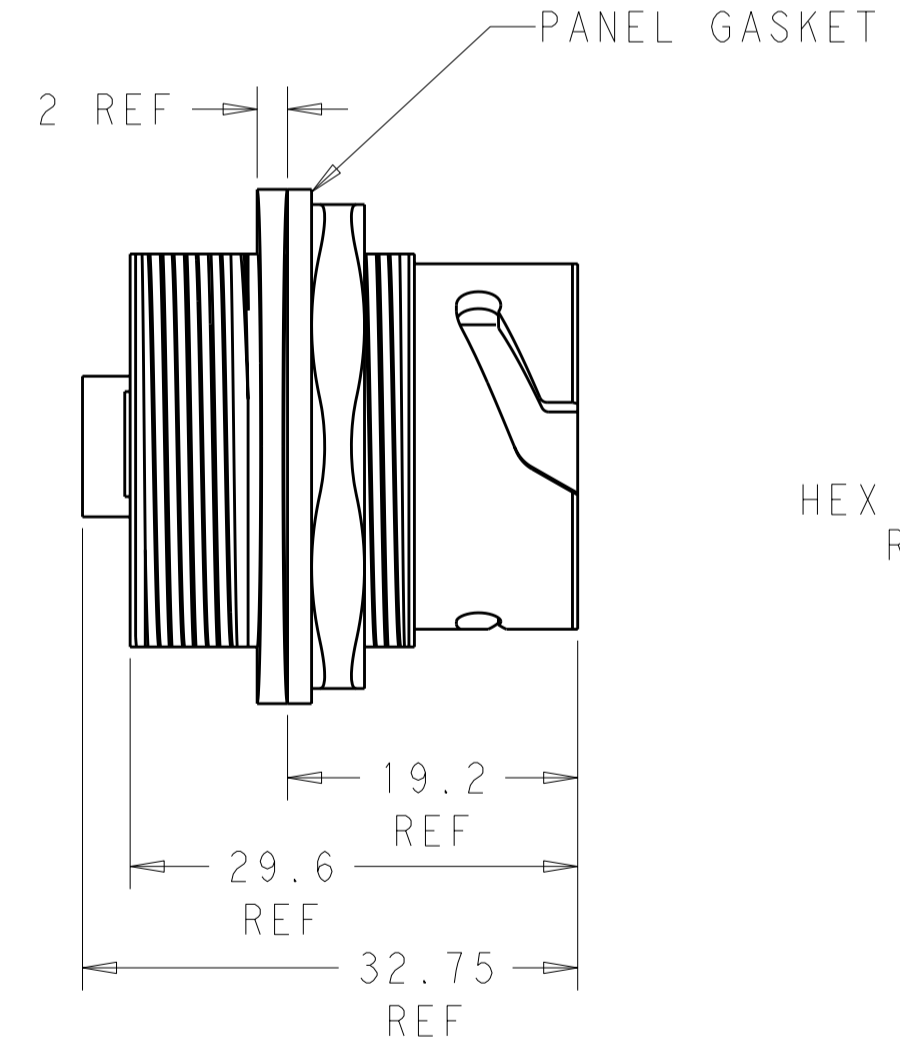
PANEL NUT

PROTECTIVE COVER

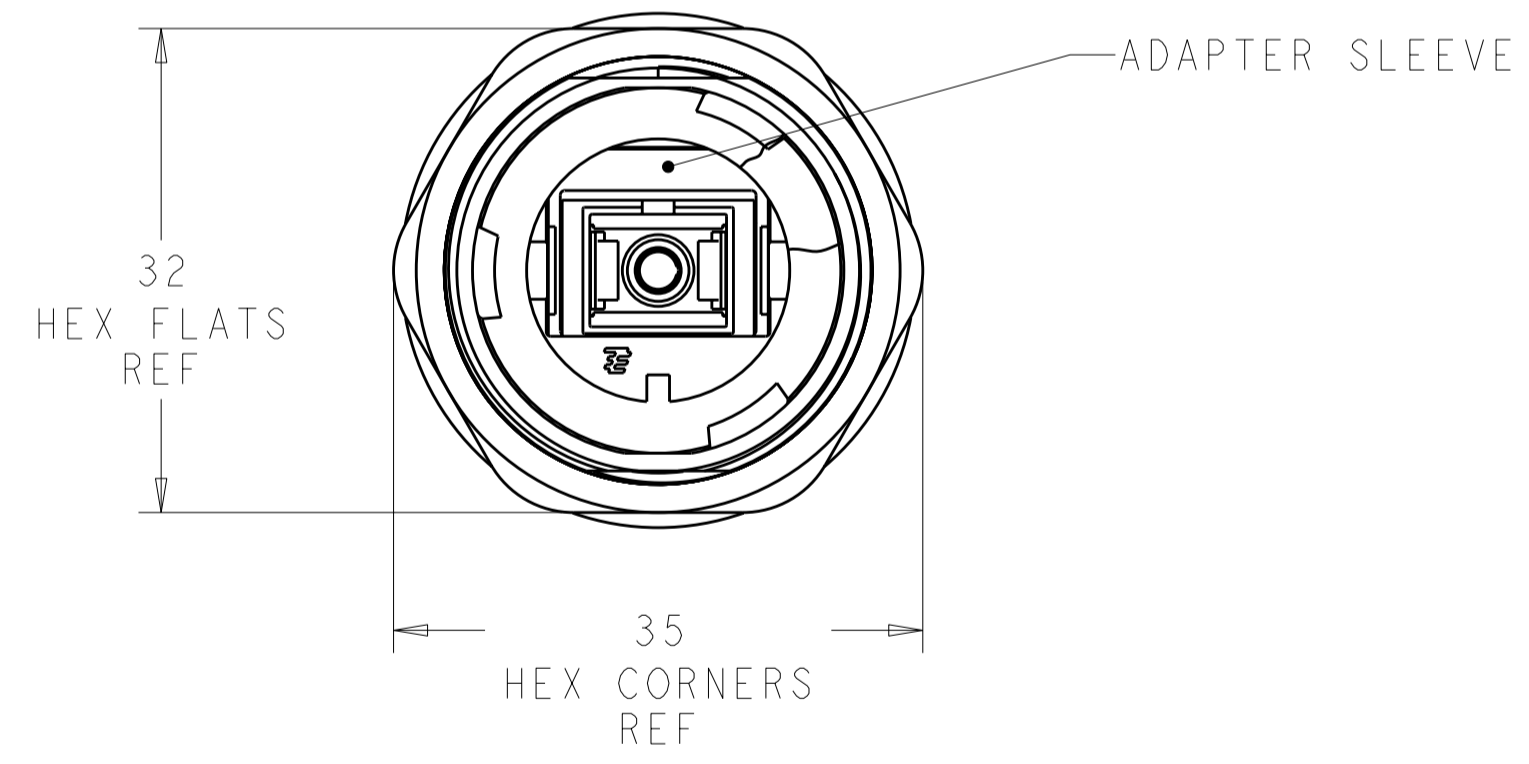
RECOMMENDED PANEL CUT-OUT
 MAX. PANEL THICKNESS 3.2mm



Ø 34 REF



PANEL GASKET



ADAPTER SLEEVE

MATERIAL:
 RECEPTACLE HOUSING AND PROTECTIVE COVER: ZINC, NICKEL PLATED
 PANEL NUT: BRASS, NICKEL PLATED
 GASKET: SILICONE, COLOR: RED/ORANGE
 ADAPTER SLEEVE: PPE+PS*
 SC ADAPTER ASSY:
 HOUSING: PPE+PS, COLOR: BLACK*
 PROTECTIVE COVER: TPE, COLOR: BLACK*
 ALIGNMENT SLEEVE: CERAMIC
 RETAINER: PEI-GF30, COLOR: BLACK*

*UL94 V-0 RATED AT QUALIFYING THICKNESS

SINGLEMODE	CERAMIC	BLACK	2123418-1
DESCRIPTION	ALIGNMENT SLEEVE	SC ADAPTER COLOR	PART NUMBER

THIS DRAWING IS A CONTROLLED DOCUMENT FOR TYCO ELECTRONICS CORPORATION. IT IS SUBJECT TO CHANGE AND THE CONTROLLING ENGINEERING ORGANIZATION SHOULD BE CONTACTED FOR THE LATEST REVISION.		DWN B. BRIGGS 29SEP2010	Tyco Electronics Corporation Harrisburg, PA 17105-3608	
DIMENSIONS: mm		CHK S. MILLER 29SEP2010	NAME ASSEMBLY, METAL ODVA RECEPTACLE, SC	
TOLERANCES UNLESS OTHERWISE SPECIFIED:		APVD S. MILLER 29SEP2010	SIZE A200779	
0 PLC ±		PRODUCT SPEC	DRAWING NO C-2123418	
1 PLC ±		APPLICATION SPEC	RESTRICTED TO	
2 PLC ±		WEIGHT	SCALE 2:1	
3 PLC ±		MATERIAL	SHEET 1 OF 1	
4 PLC ±		CUSTOMER DRAWING	REV 1	
ANGLES ±				
FINISH				