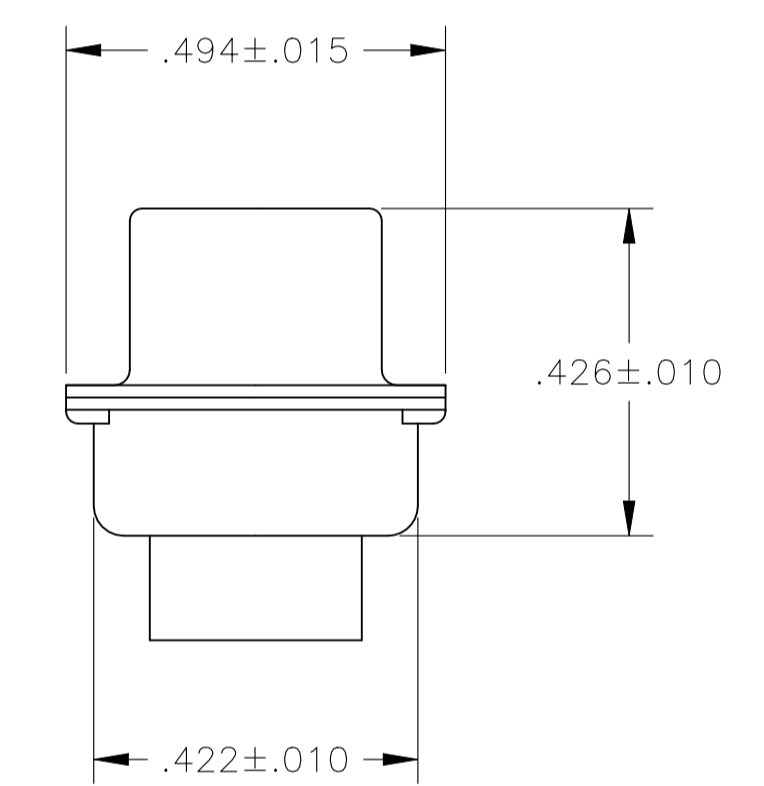
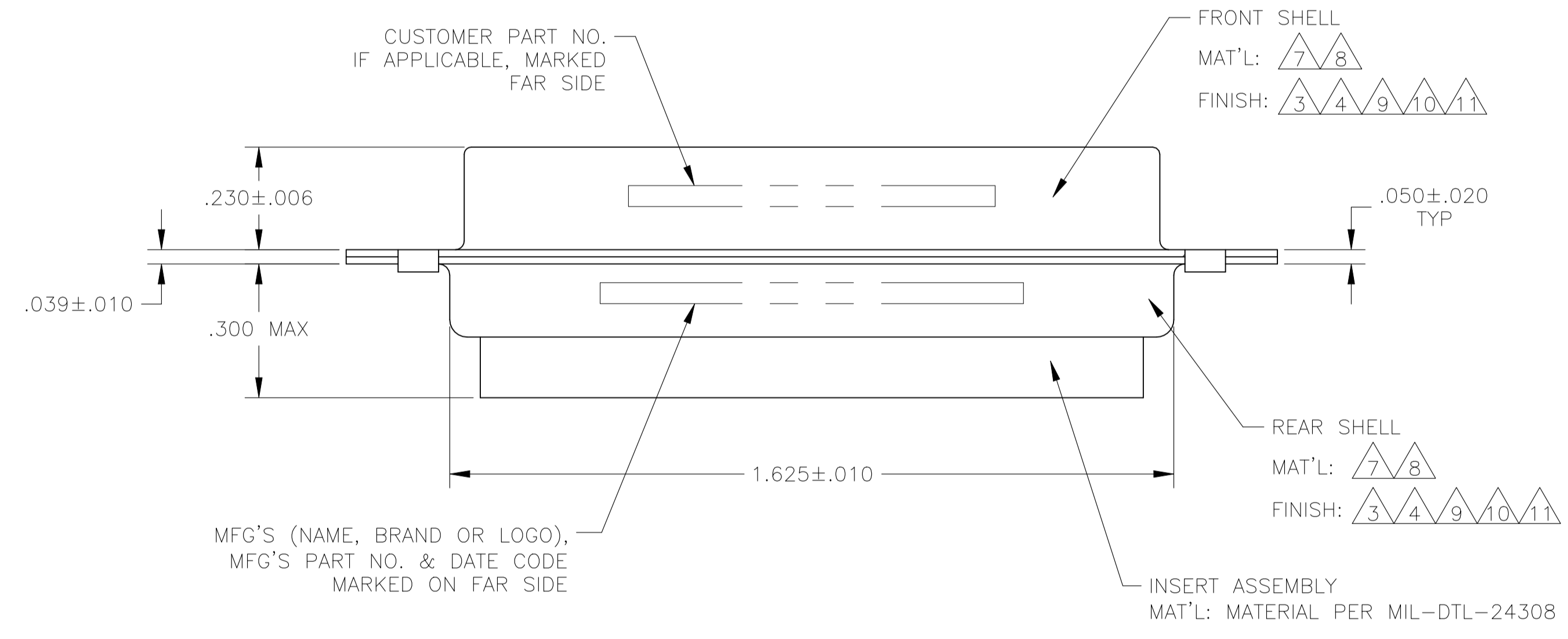
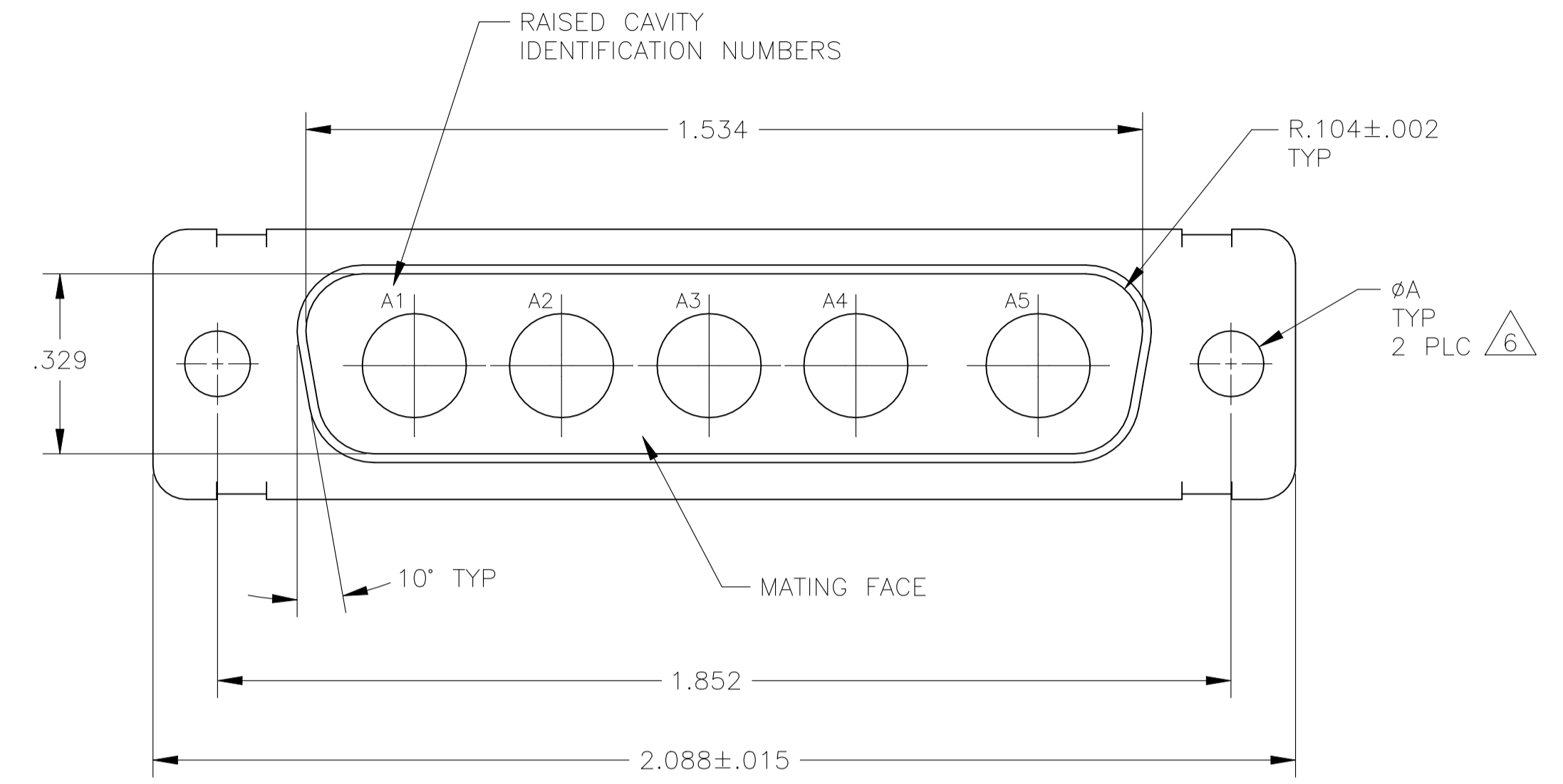
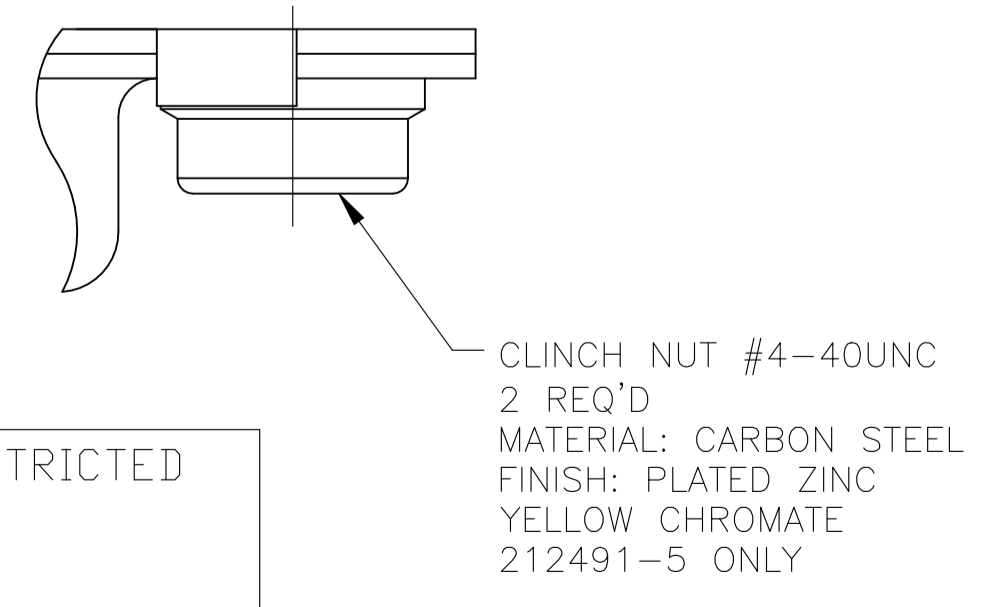


REVISIONS				
P	LTR	DESCRIPTION	DATE	APP'D
W		REVISED PER ECN-24-271614	19JUN2024	PE DS

- THIS PLUG WILL MATE WITH ANY 5C5, SIZE 3 RECEPTACLE IN AMPLIMITE SERIES.
- USE (5) SIZE 8 POWER, OR COAX PIN CONTACTS. CONSULT PRODUCT ENGINEERING FOR MORE DETAILS.
- CADMIUM PLATED PER QQ-P-416, TYPE II, CLASS 2.
- FINISH: TIN PER ASTM-B-545 .000200 MIN THK OVER COPPER PER AMS2418 .000100-.000200 THK.
- GROUNDING INDENTS FOR 212491-3, 212491-5, 212491-9, 5-212491-3, & 5-212491-5 (NOT SHOWN ON DWG).
- 212491-5 & 5-212491-5 SUPPLIED WITH 4-40UNC-2B CLINCH NUTS IN THE MOUNTING HOLE LOCATIONS.
- STEEL PER ASTM-A-109.
- BRASS PER ASTM-B-36 AND MIL-C-50.
- FINISH: PLATED GOLD PER MIL-G-45204, TYPE II, GRADE C OVER COPPER PLATE PER MIL-C-14550, CLASS IV.
- FINISH: TIN PER ASTM-B-545 .000400 MIN THK OVER COPPER PER AMS2418 .000050 MIN THK.
- FINISH: ZINC PLATE PER ASTM-B-633 .000200-.000400 THK WITH SUPPLEMENTARY CHROMATE (Cr3+).



5-212491-5 OBSOLETE	NOT APPLICABLE	△6	△5△7△10	5-212491-5
5-212491-3 OBSOLETE	NOT APPLICABLE	.120	△5△7△10	5-212491-3
5-212491-1 OBSOLETE	NOT APPLICABLE	.120	△7△11	5-212491-1
1-212491-0 OBSOLETE	NOT APPLICABLE	.120	△7△10	1-212491-0
212491-9 OBSOLETE	NOT APPLICABLE	.120	△5△7△10	212491-9
	B010942-0015	.120	△8△9	212491-8
212491-7 OBSOLETE	311P405-10P-B-15	.154	△8△9	212491-7
212491-6 OBSOLETE	311P405-10P-B-12	.120	△8△9	212491-6
212491-5 OBSOLETE	NOT APPLICABLE	△6	△4△5△7	212491-5
212491-4 OBSOLETE	97942-645A935H02	.120	△3△7	212491-4
212491-3 OBSOLETE	NOT APPLICABLE	.120	△4△5△7	212491-3
212491-2 OBSOLETE	NOT APPLICABLE	.120	△3△7	212491-2
	NOT APPLICABLE	.120	△3△7	212491-1
CUSTOMER PART NO.	øA	REMARKS	PART NO.	



WARNING - THIS DOCUMENT CONTAINS TECHNOLOGY WHOSE EXPORT IS RESTRICTED BY THE EXPORT ADMINISTRATION REGULATIONS ("EAR") PURSUANT TO 15 C.F.R. PARTS 730-774. VIOLATIONS OF THE EAR ARE SUBJECT TO SEVERE CRIMINAL PENALTIES UNDER THE EXPORT CONTROL REFORM ACT, AS AMENDED (TITLE 50, U.S.C., SEC. 4801, ET SEQ.).

THIS DRAWING IS A CONTROLLED DOCUMENT.

DIMENSIONS: INCHES	TOLERANCES UNLESS OTHERWISE SPECIFIED:	APPROVED: MANJUNATH G. M. 27-May-15	TE Connectivity
0. PLC ± -	1. PLC ± -	CHARLES THOMAS 27-May-15	PLUG ASSEMBLY AMPLIMITE 5C5 SIZE 3, SERIES 109, COAX MIX
2. PLC ± -	3. PLC ± .005(0.13)	CHARLES THOMAS 27-May-15	SIZE: A1 00779 C=212491
4. PLC ± -	ANGLES ± 0° 30'		SCALE: 4:1 SHEET: 1 of 1 REV: W
MATERIAL: -	FINISH: -		CUSTOMER DRAWING