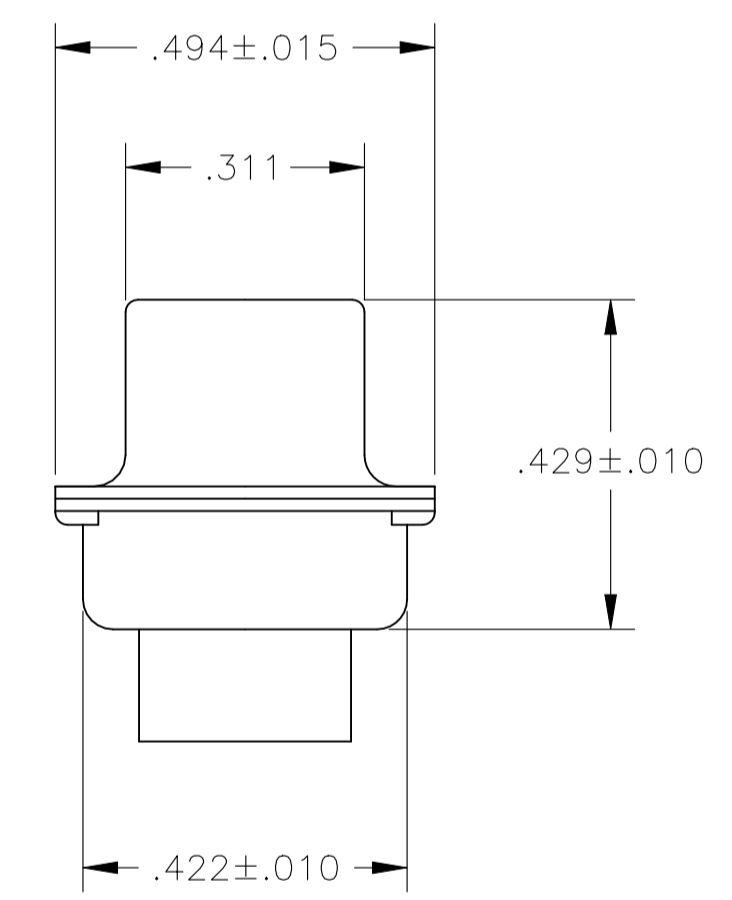
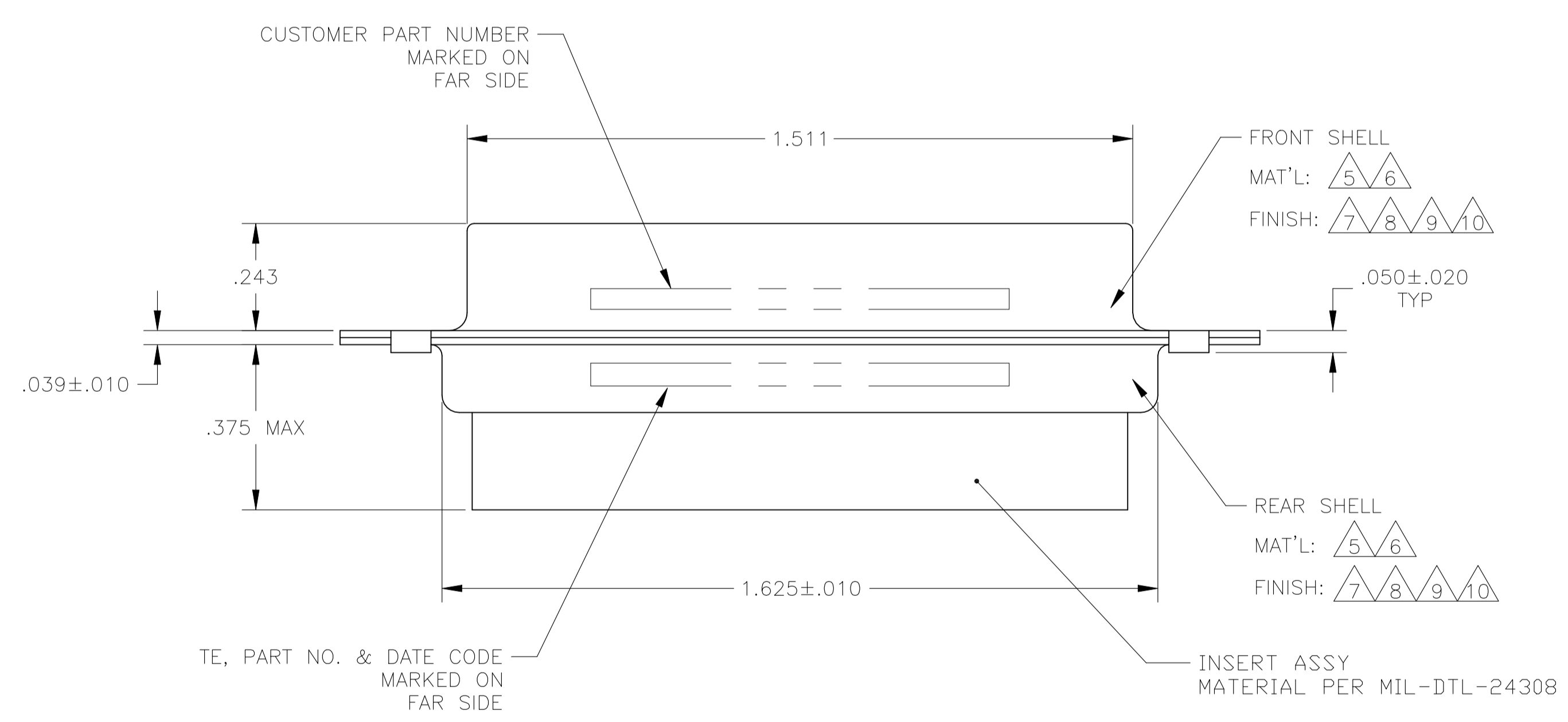
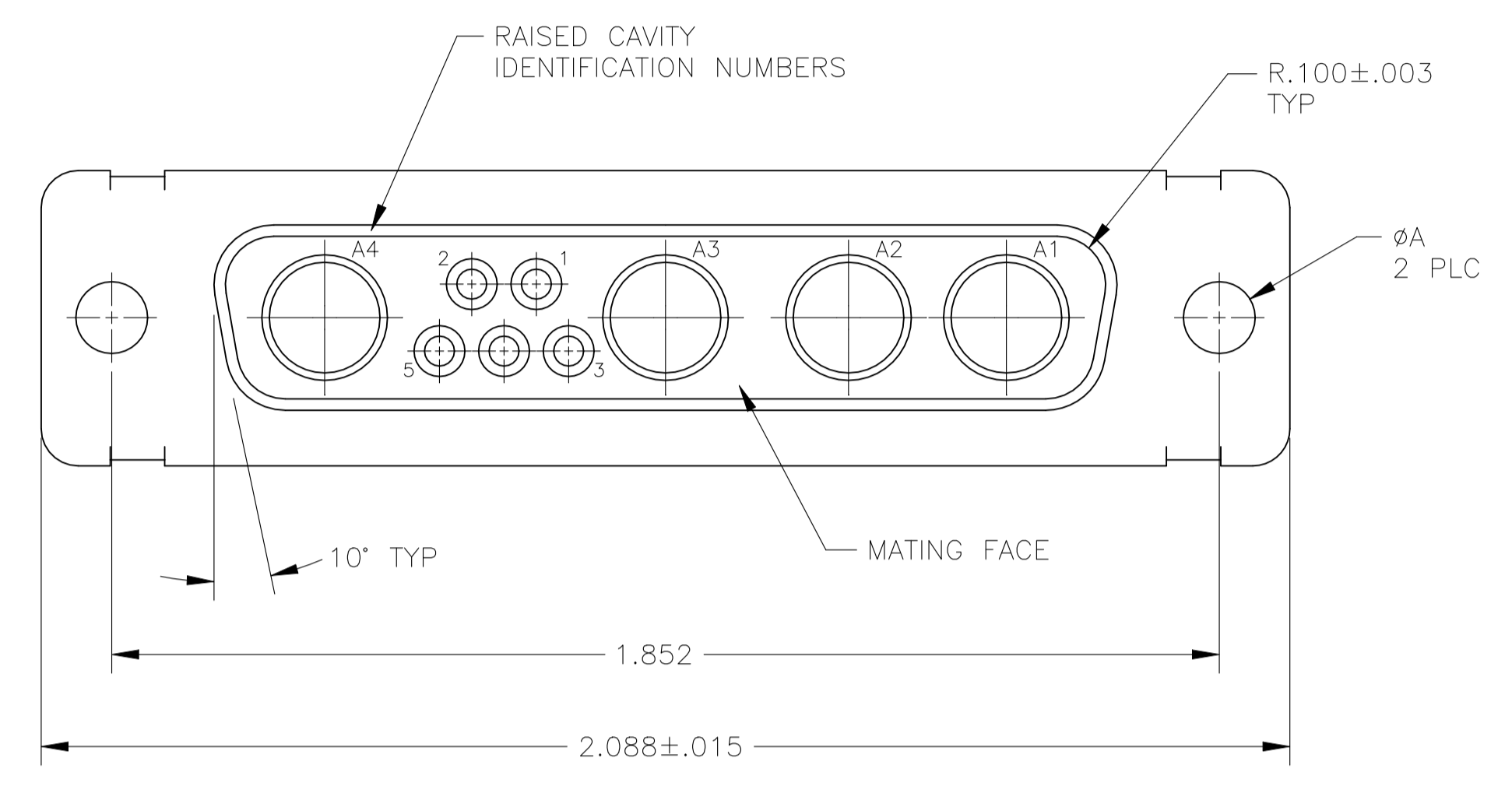


REVISIONS				
P	LTR	DESCRIPTION	DATE	APP'D
U		REVISED PER ECN-24-271997	21JUN2024	PE DS

- THIS RECEPTACLE WILL MATE WITH ANY 9C4, SIZE 3 PLUG IN AMPLIMITE SERIES.
 - MAXIMUM WIRE INSULATION TO BE USED WITH THIS RECEPTACLE IS $\phi.072$.
 - THIS CONNECTOR ACCEPTS (4) POWER 8, OR COAX SOCKET CONTACTS IN POSITIONS A1 THRU A4, PURCHASED SEPARATELY. WILL NOT ACCEPT WILL NOT ACCEPT RIGHT ANGLE COAX.
 - THIS CONNECTOR ACCEPTS SIZE 20 SOCKET SIGNAL CONTACTS IN POSITIONS 1 THRU 5, PURCHASED SEPARATELY.
- 5 STEEL PER ASTM-A-109.
 - 6 BRASS PER MIL-C-50 AND ASTM-B-36 UNS NO. C26000.
 - 7 CADMIUM PLATED PER QQ-P-416, TYPE II, CLASS 2 OVER COPPER PER MIL-C-14550, CLASS IV.
 - 8 GOLD PLATED PER MIL-G-45204 TYPE II, GRADE C, CLASS 1 OVER COPPER PER MIL-C-14550, CLASS IV.
 - 9 FINISH: TIN PER ASTM-B-545 .000400 MIN THK OVER COPPER PER AMS2418 .000050 MIN THK.
 - 10 FINISH: ZINC PLATE PER ASTM-B-633 .000200-.000400 THK WITH SUPPLEMENTARY CHROMATE (Cr3+).



REMARKS	ϕA	CUSTOMER P/N	PART NO.
212502-7 OBSOLETED	5/7	.120	T5935-0103-008
	5/9	.120	-
	5/10	.120	-
	6/8	.120	B010942-0018
212502-5 OBSOLETED	5/9	.120	-
212502-4 OBSOLETED	5/9	.154	-
212502-3 OBSOLETED	6/8	.154	311P405-11S-B-15
	6/8	.120	311P405-11S-B-12
	5/7	.120	-

WARNING - THIS DOCUMENT CONTAINS TECHNOLOGY WHOSE EXPORT IS RESTRICTED BY THE EXPORT ADMINISTRATION REGULATIONS ("EAR") PURSUANT TO 15 C.F.R. PARTS 730-774. VIOLATIONS OF THE EAR ARE SUBJECT TO SEVERE CRIMINAL PENALTIES UNDER THE EXPORT CONTROL REFORM ACT, AS AMENDED (TITLE 50, U.S.C., SEC. 4801, ET SEQ.).

THIS DRAWING IS A CONTROLLED DOCUMENT.

DIMENSIONS: INCHES

TOLERANCES UNLESS OTHERWISE SPECIFIED:

0. PLC	± .001
1. PLC	± .001
2. PLC	± .001
3. PLC	± .0010.13
4. PLC	± .001
ANGLES	± 0'30"

MATERIAL: - FINISH: -

APPROVED: A. EMADI

DATE: 29JAN88

TE Connectivity

RECEPTACLE ASSEMBLY
AMPLIMITE 9C4
SIZE 3, SERIES 109, COAX MIX

SIZE: A1

SCALE: 4:1

SHEET: 1 of 1

REV: U