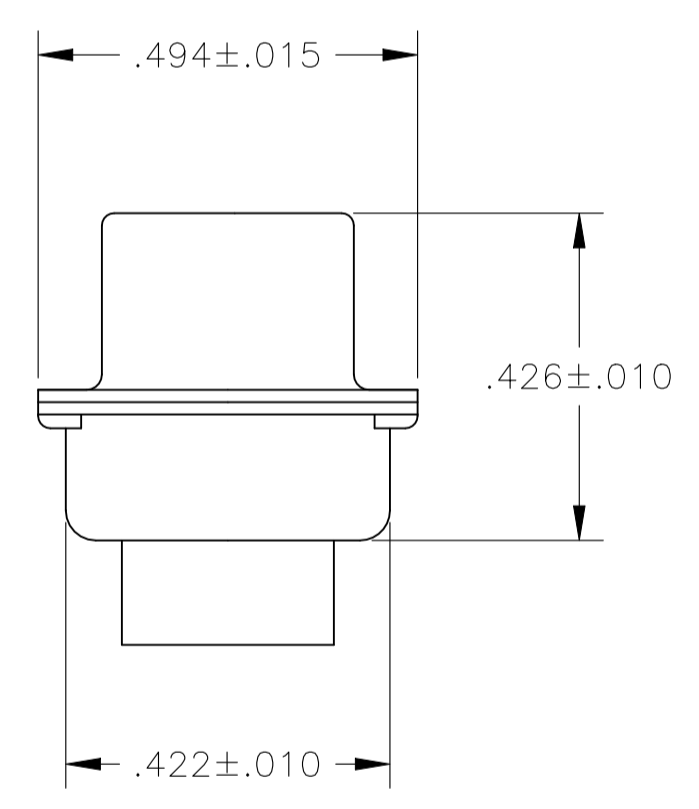
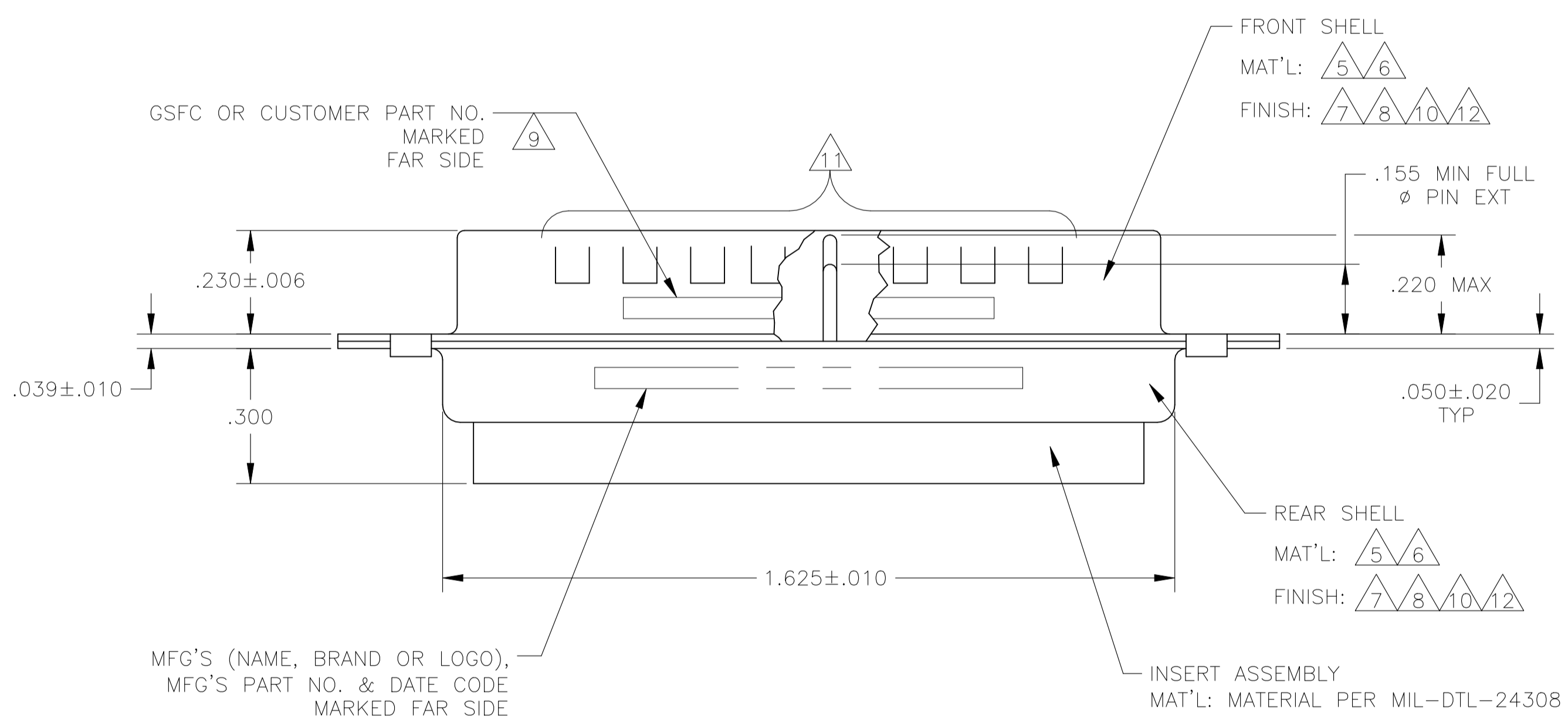
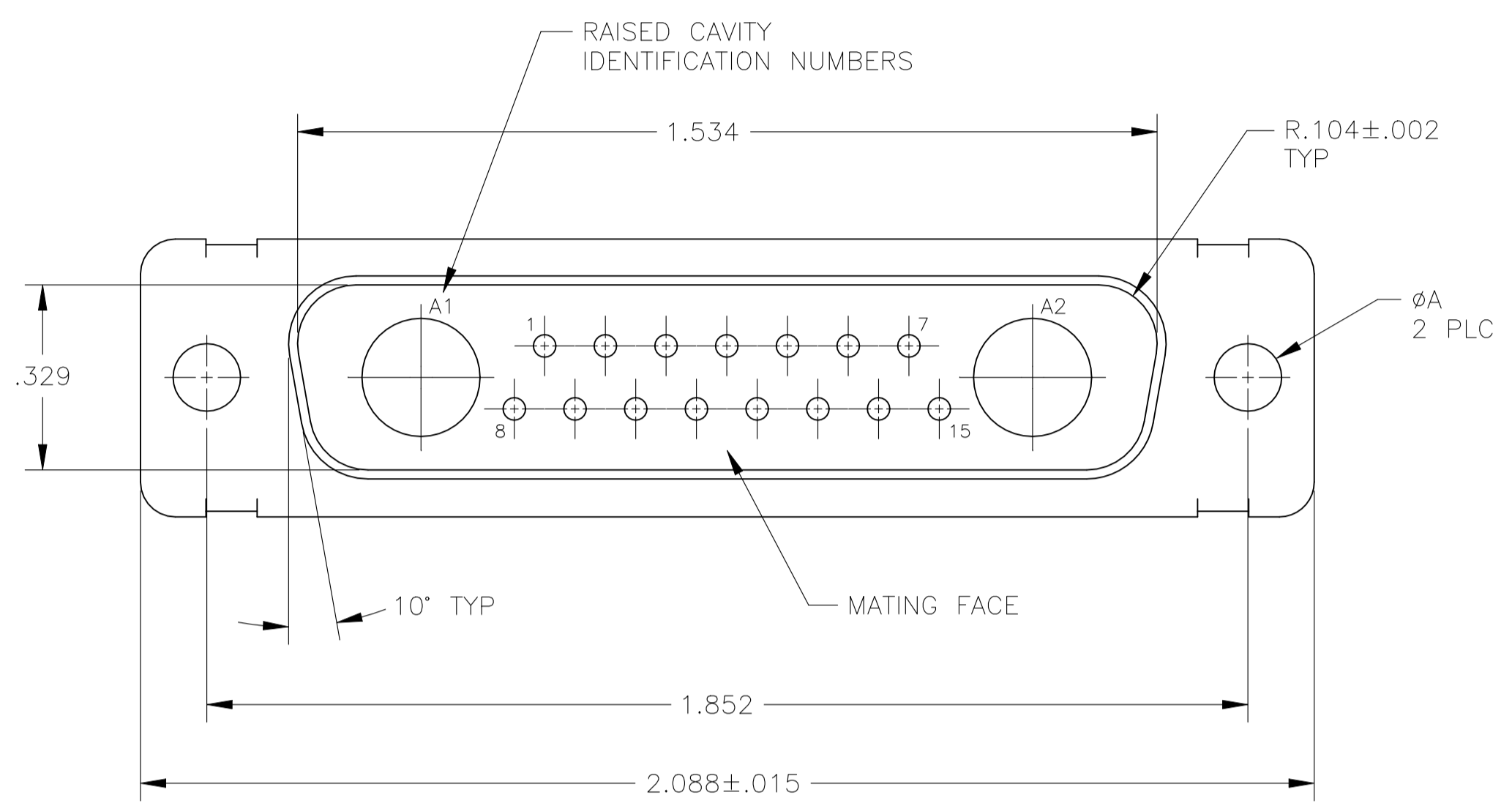


REVISIONS				
P	LTR	DESCRIPTION	DATE	APPROV
N		REVISED PER ECN-24-271613	19JUN2024	PE DS

- THIS PLUG WILL MATE WITH ANY 17C2, SIZE 3 RECEPTACLE IN AMPLIMITE SERIES.
  - MAXIMUM WIRE INSULATION TO BE USED WITH THIS PLUG IS  $\phi.068$ .
  - THIS CONNECTOR ACCEPTS (2) POWER 8, OR COAX PIN CONTACTS IN POSITIONS A1 & A2, PURCHASED SEPARATELY.
  - THIS CONNECTOR ACCEPTS SIZE 20 PIN SIGNAL CONTACTS IN POSITIONS 1 THRU 15, PURCHASED SEPARATELY.
- 5 STEEL PER ASTM-A-109.
  - 6 BRASS PER MIL-C-50 AND ASTM-B-36 UNS NO. C26000.
  - 7 CADMIUM PLATED PER QQ-P-416.
  - 8 GOLD PLATED PER MIL-G-45204 TYPE II, GRADE C, CLASS 1 OVER COPPER PER MIL-C-14550, CLASS IV.
  - 9 WESTINGHOUSE PART NO. 97942-645A935H05 MARKED.
  - 10 FINISH: TIN PER ASTM-B-545 .000400 MIN THK OVER COPPER PER AMS2418 .000050 MIN THK.
  - 11 GROUNDING INDENTS FOR 212506-5 & 5-212506-5 ONLY.
  - 12 FINISH: ZINC PLATE PER ASTM-B-633 .000200-.000400 THK WITH SUPPLEMENTARY CHROMATE (Cr3+).



WARNING - THIS DOCUMENT CONTAINS TECHNOLOGY WHOSE EXPORT IS RESTRICTED BY THE EXPORT ADMINISTRATION REGULATIONS ("EAR") PURSUANT TO 15 C.F.R. PARTS 730-774. VIOLATIONS OF THE EAR ARE SUBJECT TO SEVERE CRIMINAL PENALTIES UNDER THE EXPORT CONTROL REFORM ACT, AS AMENDED (TITLE 50, U.S.C., SEC. 4801, ET SEQ.).

	5, 12	.120	-	5-212506-1
5-212506-5 OBSOLETE	5, 11, 10	.120	-	5-212506-5
	5, 10, 11	.120	-	212506-5
212506-4 OBSOLETE	6, 8	.154	311P405-13S-B-15	212506-4
212506-3 OBSOLETE	5, 7, 9	.120	-	212506-3
212506-2 OBSOLETE	6, 8	.120	311P405-13S-B-12	212506-2
	5, 7	.120	-	212506-1
	REMARKS	φA	GSFC P/N	PART NO.

THIS DRAWING IS A CONTROLLED DOCUMENT.

DIMENSIONS: INCHES	TOLERANCES UNLESS OTHERWISE SPECIFIED:	DIN MANJUNATH G. M. 27-May-15	CHK CHARLES THOMAS 27-May-15	APPROV CHARLES THOMAS 27-May-15	NAME
0 PLC ± -	1 PLC ± -	2 PLC ± -	3 PLC ± .005(0.13)	4 PLC ± -	ANGLES ± 0°30'
MATERIAL	FINISH	WEIGHT	SCALE	SHEET	RESTRICTED TO
			4:1	1 of 1	REV N

PLUG ASSEMBLY  
AMPLIMITE 17C2  
SIZE 3, SERIES 109, COAX MIX

SIZE: A1 00779 C=212506

CUSTOMER DRAWING