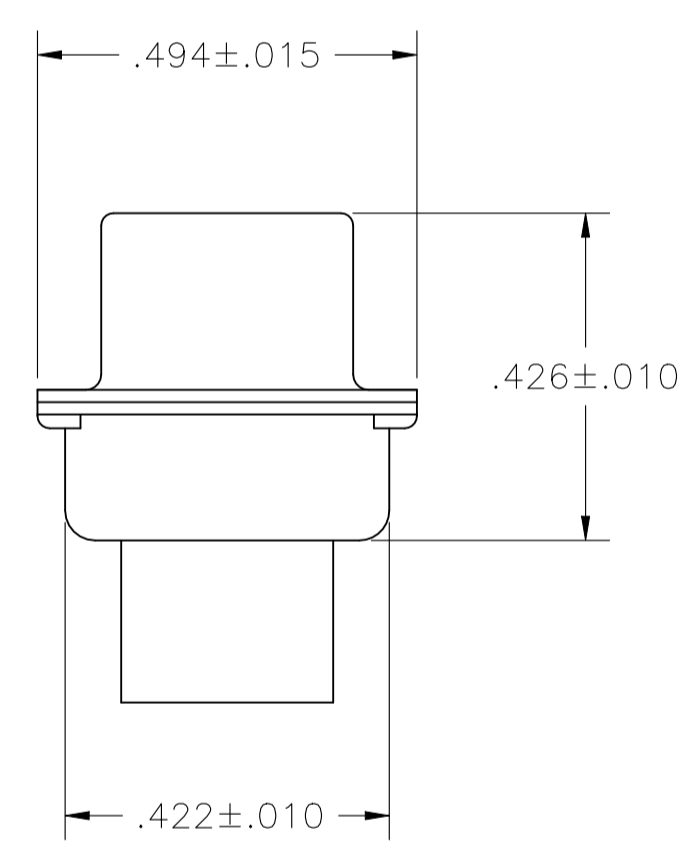
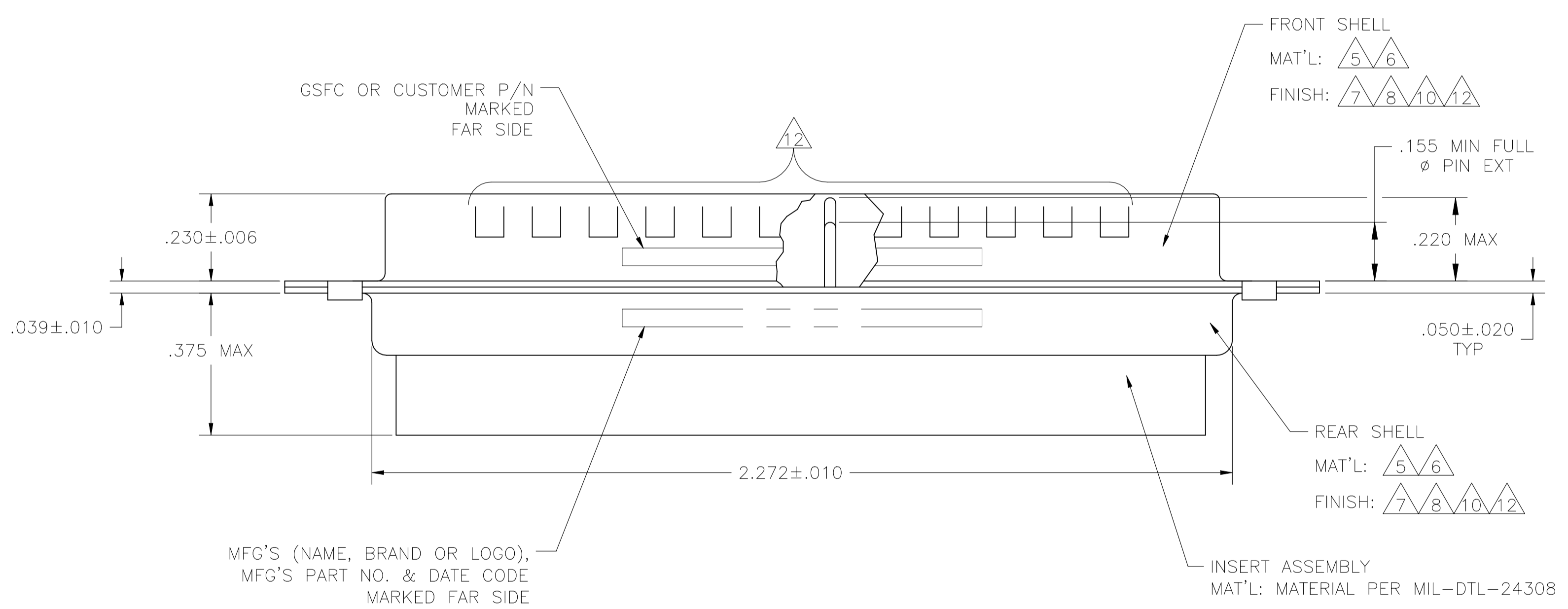
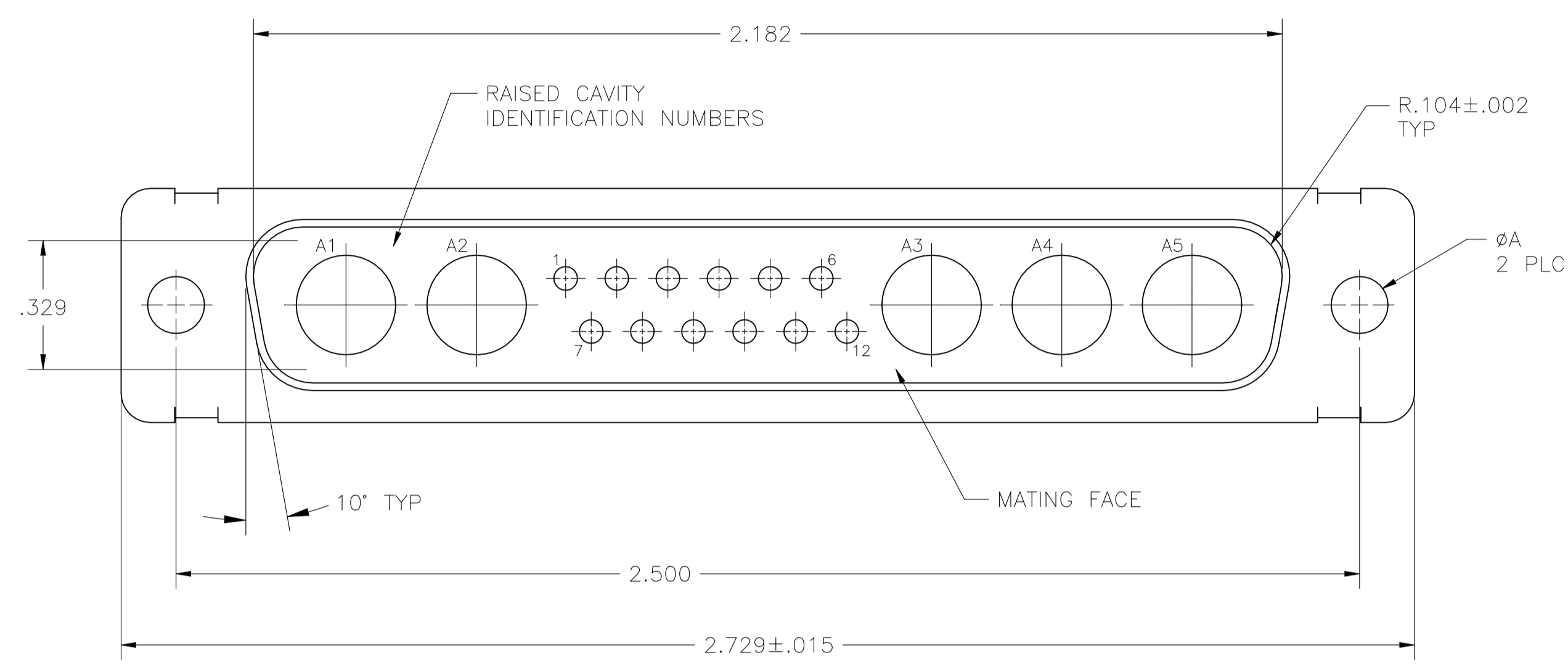


REVISIONS				
P	LTR	DESCRIPTION	DATE	APP'D
R		REVISED PER ECN-24-272184	24JUN2024	PE DS

WARNING - THIS DOCUMENT CONTAINS TECHNOLOGY WHOSE EXPORT IS RESTRICTED BY THE EXPORT ADMINISTRATION REGULATIONS ("EAR") PURSUANT TO 15 C.F.R. PARTS 730-774. VIOLATIONS OF THE EAR ARE SUBJECT TO SEVERE CRIMINAL PENALTIES UNDER THE EXPORT CONTROL REFORM ACT, AS AMENDED (TITLE 50, U.S.C., SEC. 4801, ET SEQ.).

- THIS PLUG WILL MATE WITH ANY 17C5, SIZE 4 RECEPTACLE IN AMPLIMITE SERIES.
- MAXIMUM WIRE INSULATION TO BE USED WITH THIS PLUG IS $\phi.068$.
- THIS CONNECTOR ACCEPTS (5) POWER 8, OR COAX PIN CONTACTS IN POSITIONS A1 THRU A5, PURCHASED SEPARATELY.
- THIS CONNECTOR ACCEPTS SIZE 20 PIN SIGNAL CONTACTS IN POSITIONS 1 THRU 12, PURCHASED SEPARATELY.
- STEEL PER ASTM-A-109.
- BRASS PER MIL-C-50 AND ASTM-B-36 UNS NO. C26000.
- CADMIUM PLATED PER QQ-P-416.
- FINISH: GOLD PLATED PER MIL-G-45204 TYPE II, GRADE C, CLASS 1 OVER COPPER PER MIL-C-14550, CLASS IV.
- WESTINGHOUSE PART NO. 97942-645A935H07, INK STAMPED, FAR SIDE.
- FINISH: TIN PER ASTM-B-545, .000400 MIN THK OVER COPPER PER AMS2418 .000050 MIN THK.
- GROUNDING INDENTS FOR 212514-5 & 5-212514-5 ONLY.
- FINISH: ZINC PLATE PER ASTM-B-633 .000200-.000400 THK WITH SUPPLEMENTARY CHROMATE (Cr3+).



5-212514-5 OBSOLETE	$\triangle 5 \triangle 11 \triangle 10$.120	-	5-212514-5
5-212514-1 OBSOLETE	$\triangle 5 \triangle 12$.120	-	5-212514-1
	$\triangle 5 \triangle 10 \triangle 11$.120	-	212514-5
212514-4 OBSOLETE	$\triangle 6 \triangle 8$.154	311P405-17S-B-15	212514-4
212514-3 OBSOLETE	$\triangle 6 \triangle 8$.120	311P405-17S-B-12	212514-3
212514-2 OBSOLETE	$\triangle 5 \triangle 7 \triangle 9$.120	-	212514-2
	$\triangle 5 \triangle 7$.120	-	212514-1
REMARKS		ØA	GSFC P/N	PART NO.

THIS DRAWING IS A CONTROLLED DOCUMENT.

DIMENSIONS: INCHES	TOLERANCES UNLESS OTHERWISE SPECIFIED:	DIN	MANJUNATH G. M. 27-May-15	TE Connectivity
0 PLC ± -	1 PLC ± -	CHK	CHARLES THOMAS 27-May-15	
2 PLC ± -	3 PLC ± .005(0.13)	APP'D	CHARLES THOMAS 27-May-15	NAME
4 PLC ± -	ANGLES ± 0° 30'	PRODUCT SPEC		PLUG ASSEMBLY
MATERIAL	FINISH	APPLICATION SPEC		AMPLIMITE 17C5
		WEIGHT		SIZE 4, SERIES 109, COAX MIX
		CUSTOMER DRAWING	SCALE 4:1	SHEET 1 of 1

SIZE: A1 00779C=212514