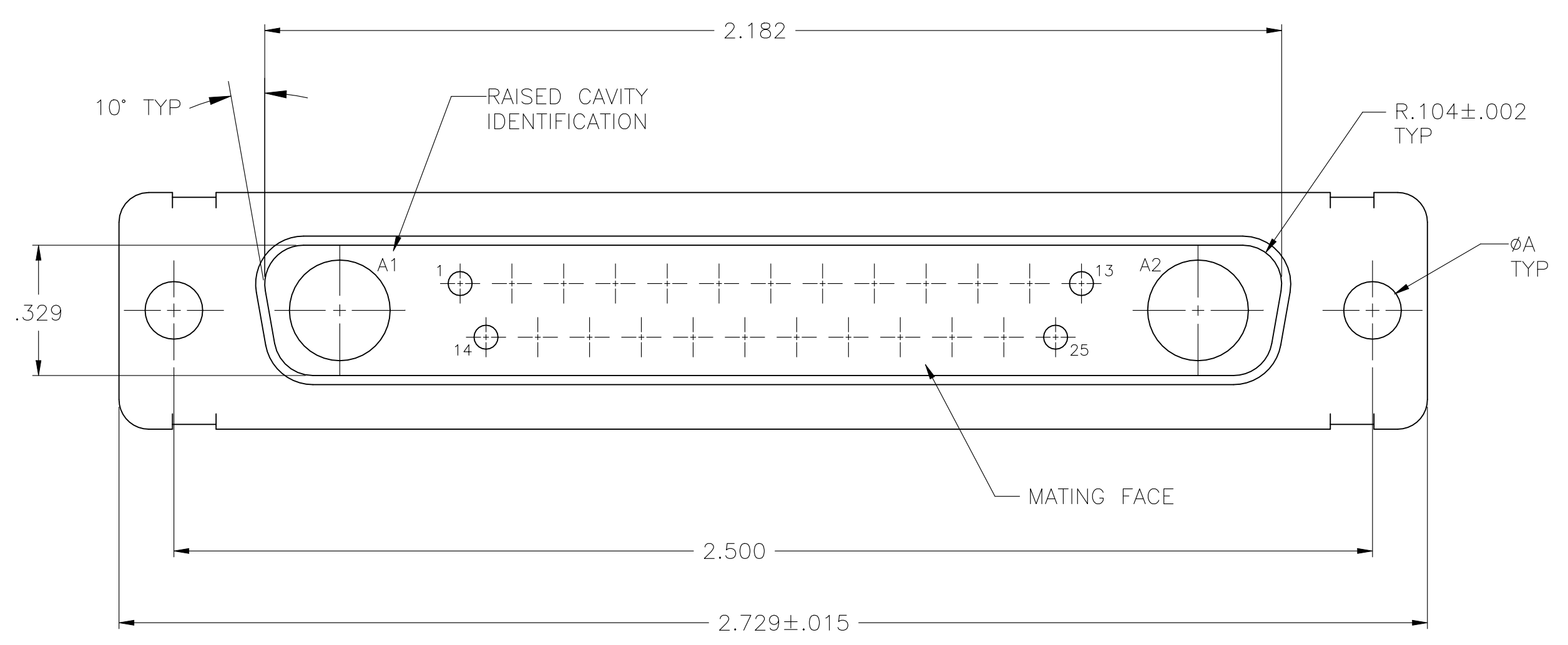


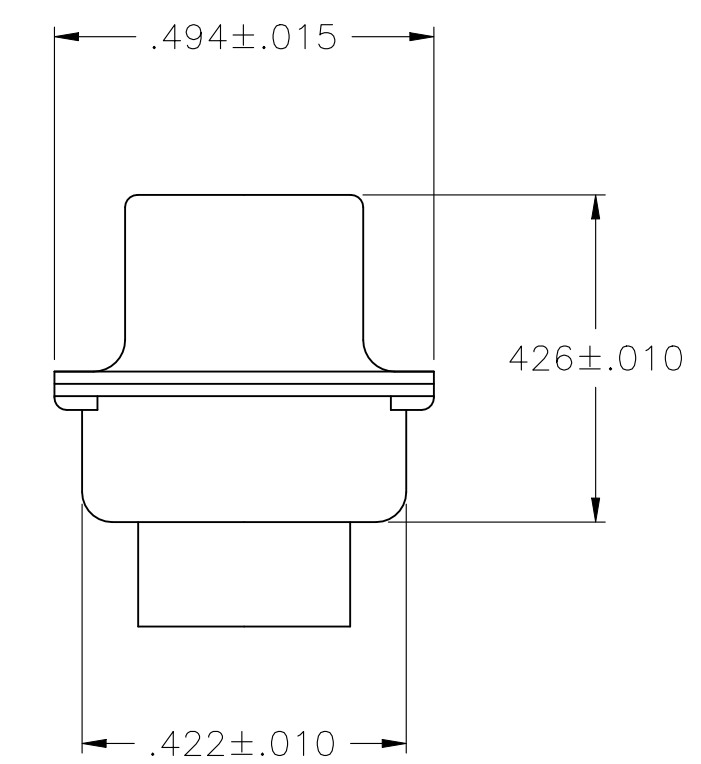
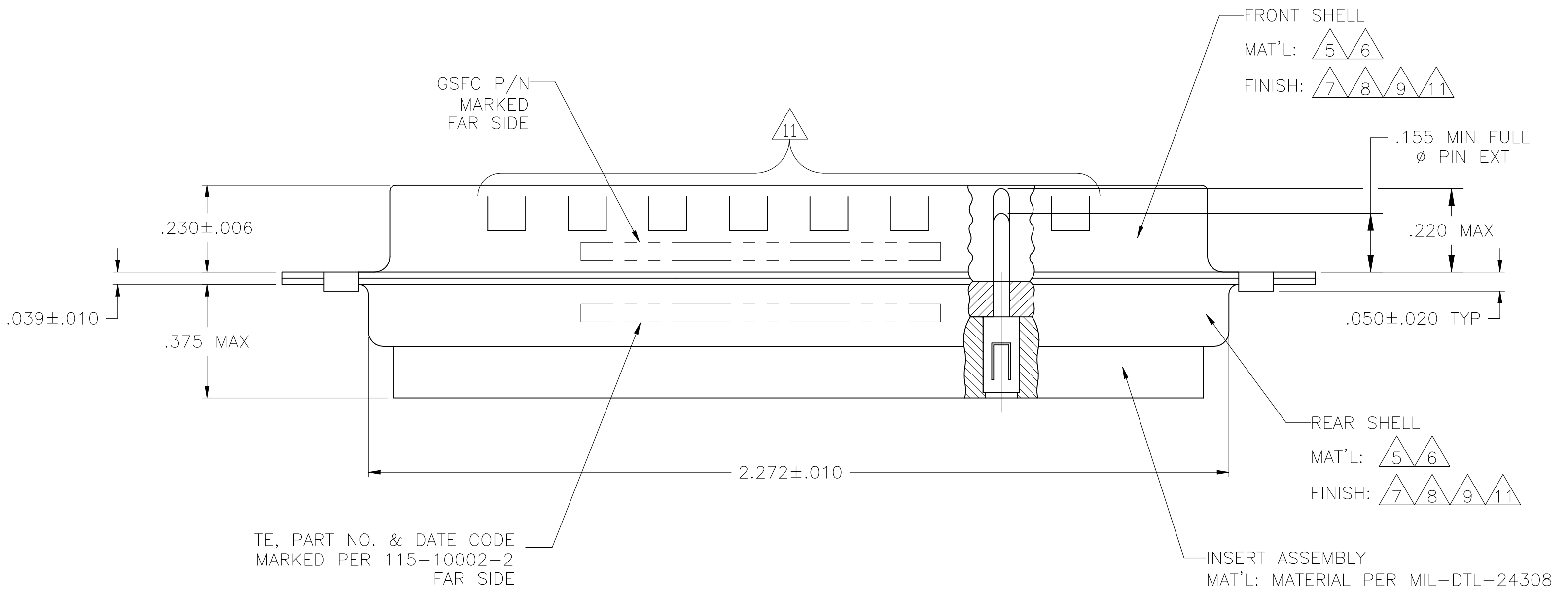
REVISIONS				
P	LTR	DESCRIPTION	DATE	APP'D
P		REVISED PER ECN-24-272244	25JUN2024	PE DS

WARNING - THIS DOCUMENT CONTAINS TECHNOLOGY WHOSE EXPORT IS RESTRICTED BY THE EXPORT ADMINISTRATION REGULATIONS ("EAR") PURSUANT TO 15 C.F.R. PARTS 730-774. VIOLATIONS OF THE EAR ARE SUBJECT TO SEVERE CRIMINAL PENALTIES UNDER THE EXPORT CONTROL REFORM ACT, AS AMENDED (TITLE 50, U.S.C., SEC. 4801, ET SEQ.).



1. THIS PLUG WILL MATE WITH ANY 27C2, SIZE 4 RECEPTACLE IN AMPLIMITE SERIES.
2. MAXIMUM WIRE INSULATION TO BE USED WITH THIS PLUG IS ϕ .068.
3. THIS CONNECTOR ACCEPTS (2) POWER 8, OR COAX PIN CONTACTS IN POSITIONS A1 THRU A2, PURCHASED SEPARATELY.
4. THIS CONNECTOR ACCEPTS SIZE 20 PIN SIGNAL CONTACTS IN POSITIONS 1 THRU 25, PURCHASED SEPARATELY.

- 5 STEEL PER ASTM-A-109.
- 6 BRASS PER MIL-C-50 AND ASTM-B-36 UNS NO. C26000.
- 7 CADMIUM PLATED PER QQ-P-416.
- 8 FINISH: GOLD PLATED PER MIL-G-45204 TYPE II, GRADE C, CLASS 1 OVER COPPER PER MIL-C-14550, CLASS IV.
- 9 FINISH: TIN PER ASTM-B-545, .000400 MIN THK OVER COPPER PER AMS2418 .000050 MIN THK.
- 10 GROUNDING INDENTS FOR 212538-4 & 5-212538-4 ONLY.
- 11 FINISH: ZINC PLATE PER ASTM-B-633 .000200-.000400 THK WITH SUPPLEMENTARY CHROMATE (Cr3+).



TE, PART NO. & DATE CODE MARKED PER 115-10002-2 FAR SIDE

5-212538-4 OBSOLETE	5 10 9	.120	-	5-212538-4
5-212538-1 OBSOLETE	5 11	.120	-	5-212538-1
	5 9 10	.120	-	212538-4
212538-3 OBSOLETE	6 8	.154	311P405-21P-B-15	212538-3
212538-2 OBSOLETE	6 8	.120	311P405-21P-B-12	212538-2
	5 7	.120	-	212538-1
REMARKS	ØA	GSFC P/N	PART NO.	

THIS DRAWING IS A CONTROLLED DOCUMENT.

DIMENSIONS: INCHES	TOLERANCES UNLESS OTHERWISE SPECIFIED:	DIN 27-May-15	MANJUNATH G.M.	27-May-15	CHK CHARLES THOMAS	27-May-15	APVD CHARLES THOMAS	NAME	PLUG ASSEMBLY
0. PLC ± -	1. PLC ± -	2. PLC ± -	3. PLC ± .005(0.13)	4. PLC ± -	ANGLES ± 0° 30'	APPLICATION SPEC	SIZE	CAGE CODE	DRAWING NO
MATERIAL	FINISH	WEIGHT	SCALE	4:1	SHEET	1 of 1	REV	P	RESTRICTED TO

Customer Drawing: A1 00779 C=212538