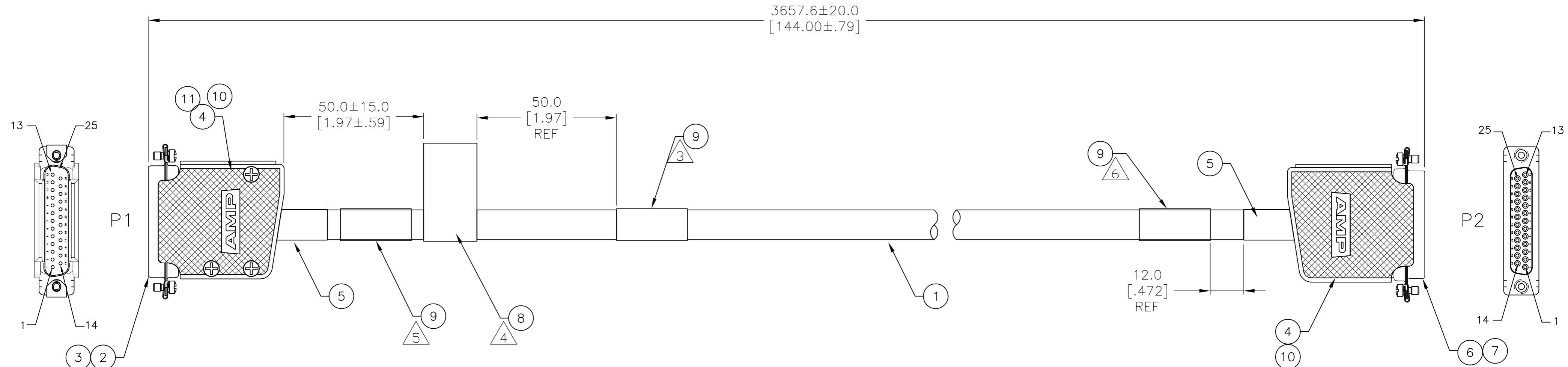


THIS DRAWING IS UNPUBLISHED. RELEASED FOR PUBLICATION  
 © COPYRIGHT - By - ALL RIGHTS RESERVED.

LOC	DIST	REVISIONS					
GP	00	P	LTR	DESCRIPTION	DATE	DWN	APVD
		E		REVISED PER ECO-11-005441	16/MAR/11	ECC	GG



1. PRODUCT AND PROCESSING MUST MEET REQUIREMENTS OF TYCO ELECTRONICS STANDARD TEC-138-702.
2. 100% ELECTRICAL TEST FOR SHORTS, OPENS AND HI-POT AT 300VDC, 50 MOHMS FOR 100 MILLISECONDS.

3 LABEL PRINTED WITH 2-4mm HIGH LETTERING. LABEL TO READ AS FOLLOWS:

CUSTOMER P/N REV LEVEL  
 WWYY 912  
 COUNTRY OF ORIGIN ← IF OUTSIDE USA

4 LABEL AS FOLLOWS:

CUSTOMER P/N YYDD - 213  
 MADE IN - - -  
 CUSTOMER P/N YYDD - 213  
 MADE IN - - -

THE EFUP LOGO FOR CMM COMPLIANCE MUST BE AT LEAST 7mm X 7mm IN SIZE.

5 LABEL AS FOLLOWS:

MTR 3000

LOCATE APPROXIMATELY BETWEEN FLAGGED LABEL AND HEAT SHRINK TUBING.

6 LABEL AS FOLLOWS:

L3276

MALE DB25		FEMALE DB25	
1	WHITE	12	TX
9	BLACK (PAIRED WITH WHITE)	4	AGND
	SHIELD FROM BLK/WHITE PAIR		
7	GREEN	3	RX+
16	BLACK (PAIRED WITH GREEN)	11	RX-
	SHIELD FROM BLK/GREEN PAIR		
2	BLUE	6	PTT
4	BLACK (PAIRED WITH BLUE)	10	CARRIER_IN
18	SHIELD FROM BLK/BLUE PAIR		
24	RED	7	MONITOR
8	BLACK (PAIRED WITH RED)	15	CHANNEL STEER 0
19	SHIELD FROM BLK/RED PAIR		
10	YELLOW	8	CHANNEL STEER 1
15	BLACK (PAIRED WITH YELLOW)	5	CHANNEL STEER 2
17	SHIELD FROM BLK/YEL PAIR		
21	BROWN	1	CHANNEL STEER 3
23	BLACK (PAIRED WITH BROWN)	9	CHANNEL STEER 4
	SHIELD FROM BLK/BRN PAIR		

C	30009314001	2127367-1	
CUSTOMER REV	CUSTOMER P/N	TE P/N	
0.50	FT	TUBING, HEAT SHRINK, 3/16" X 48"	11
0.35	FT	TUBING, HEAT SHRINK, 3/64" X 48"	10
3	PC	LABEL, SBP100143WE5	9
1	PC	LABEL, WP-699191-5-9	8
12	PC	CONTACT, SOCKET, HD 20 DF	7
1	PC	CONNECTOR, HDP-20, RECPT, SIZE 3	6
3.00	IN	AMPSULATION DWP31, 1/2"x48"	5
2	PC	CLAMSHELL, SIZE 3 W/RETAINER	4
15	PC	CONTACT, PIN, HD20	3
1	PC	AMPLIMITE, CRIMP SNAP, 25P, PLUG	2
12.20	FT	CABLE, 6 STP, 24 AWG [BELDEN 88778]	1
-1	U/M	DESCRIPTION	ITEM

THIS DRAWING IS A CONTROLLED DOCUMENT.		DWN E.C. CLAYBAUGH 16/MAR/11	TE Connectivity	
DIMENSIONS: mm [INCHES]		CHK G. GUTGOLD 16/MAR/11	NAME CABLE ASSY, BR- TONE REMOTE ADAPTOR [30009314001]	
TOLERANCES UNLESS OTHERWISE SPECIFIED: 0 PLC ± - 1 PLC ± - 2 PLC ± - 3 PLC ± - 4 PLC ± - ANGLES ± -		APVD G. GUTGOLD 16/MAR/11	PRODUCT SPEC	
MATERIAL		FINISH	APPLICATION SPEC	RESTRICTED TO
-		-	WEIGHT	-
-		-	SCALE	N.T.S.
CUSTOMER DRAWING		SIZE	CAGE CODE	DRAWING NO
-		A2	00779	C=2127367
-		WEIGHT	-	REV
-		-	-	E

2127367