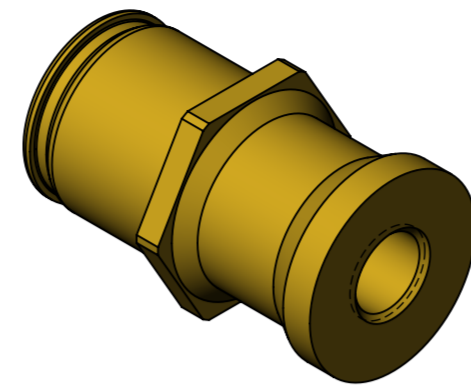
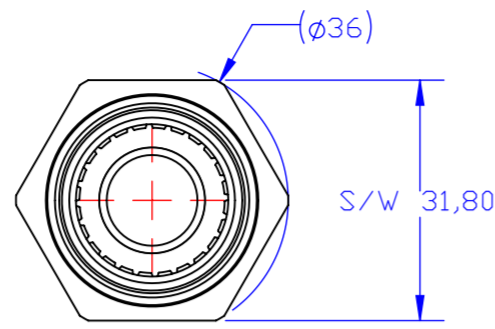
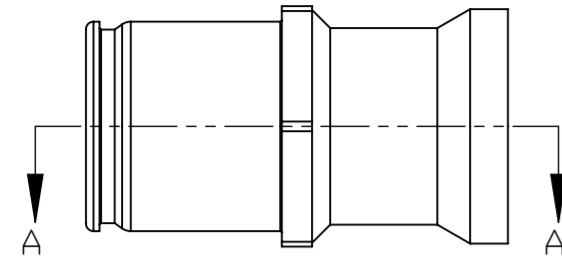


P	LTR	DESCRIPTION	DATE	DWN	APVD
3		Add contact with M12 threaded	31JUL2017	MB	MV
A		Add contact with M10 threaded. Remove brass contacts. Diff 332490	20NOV2017	JFG	MV
A1		Correction of the eligible lug sections for M10 threading, annotation 5. Diff 333381	03SEP2019	JFG	MV

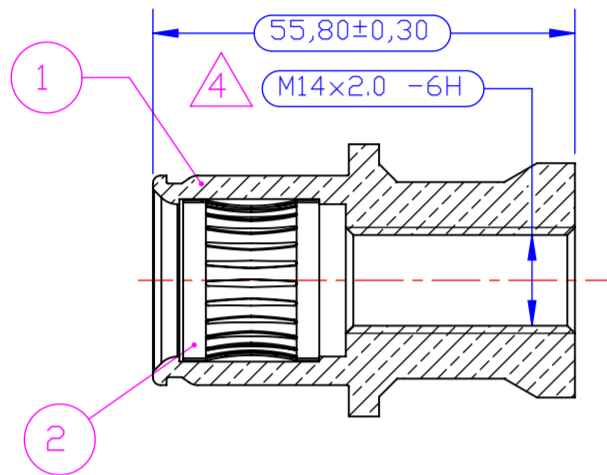


1 () : cotes pour information / dimensions for information
 1 () : cotes de controle / inspection dimensions

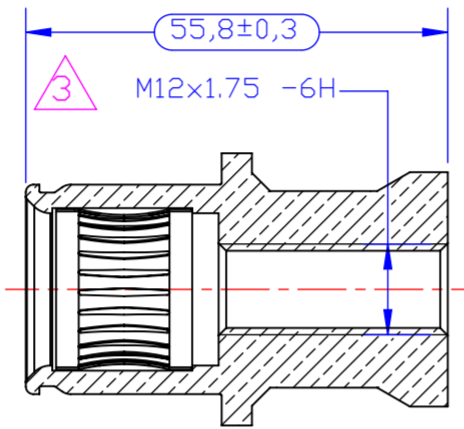
- 2 Couple de serrage sur vis cosse avec 3 rondelles coniques = 20Nm
Lug screw tightening torque with 3 elements conical washer = 20Nm
- 3 Couple de serrage de la cosse avec 3 rondelles coniques = 35Nm
Lug screw tightening torque with 3 elements conical washer = 35Nm
- 4 Couple de serrage de la cosse avec 3 rondelles coniques = 55Nm
Lug screw tightening torque with 3 elements conical washer = 55Nm
- 5 Contact avec filetage M10 à utiliser pour les cosses de 25mm² à 150mm²
Contact avec filetage M12 à utiliser pour les cosses de 50mm² à 185mm²
Contact avec filetage M14 à utiliser pour les cosses de 95mm² à 240mm²
Contact with M10 thread to use for lug of 25mm² to 150mm² (A1)
Contact with M12 thread to use for lug of 50mm² to 185mm²
Contact with M14 thread to use for lug of 95mm² to 240mm²
- 6 Connexions à réaliser par le client
Connexion constituées des éléments de fixation suivants:
-Vis H,M classe A2-70, lg fileté en prise recommandée: 2x Ø vis
-Rondelle élastique conique 3 éléments inox A2
-Rondelle M ou L inox A2.

Implementation of the connection provided by the customer
Connection consisting of the following fasteners:
-Screw H,M class A2-70, threaded lenght reomanded: 2x Ø vis
-Conical elastic washer 3 elements A2 stainless steel
-Washer M or L stainless steel A2
- 7 Specification d'emballage = 107-157006
Packaging spec = 107-157006
- 8 Manuel client = 409-157000
Customer manual = 409-157000

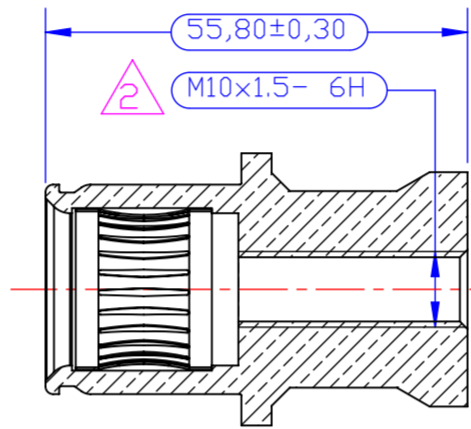
View A-A
for commercial references
FXP-CS20-LM14S-CU



View A-A
for commercial references
FXP-CS20-LM12S-CU



View A-A
for commercial references
FXP-CS20-LM10S-CU



Observations Remarks	Protection Plating	Fiche matière Data sheet	Matière Material	Masse (g) Weight (g)	Nbr Qty	Codification Part number	Désignation Designation	REP Item
-	-	-	Plastique Plastic	1	1	0206-0329AS	Sachet déshydratant Deshydrating bag	4
-	-	-	Plastique Plastic	1	1	Y0000000000-EMB040	Sachet bulle 80 x 100 mm Bubble bag 80 x 100 mm	3
-	Argenture Silver plating	FMME 2001	Cuivre béryllium Beryllium copper	2,4	1	16866-000A4	Diabolo calibre 20 Diabolo caliber 20	2
-	Argenture Silver plating	FMME 2003	Cuivre Copper	210,98	1	YC-KC-212738C-CC1A	Contact femelle cal. 20 à visser M10 Female contact cal. 20 , to be screwed M10	1
-	Argenture Silver plating	FMME 2003	Cuivre Copper	204,04	1	YC-KC-212738B-CC1A	Contact femelle cal. 20 à visser M12 Female contact cal. 20 , to be screwed M12	1
-	Argenture Silver plating	FMME 2003	Cuivre Copper	195,49	1	YC-KC-212738A-CC1A	Contact femelle cal. 20 à visser M14 Female contact cal. 20 , to be screwed M14	1

FXP-CS20-LM14S-CU	FXP-CS20-LM12S-CU	FXP-CS20-LM10S-CU
Commercial references		

see table
PART NO

Référence commerciale / Commercial reference : see table

Commercial references	Filetage Thread	Weight (g)
FXP-CS20-LM14S-CU	14	199.89
FXP-CS20-LM12S-CU	12	208.44
FXP-CS20-LM10S-CU	10	215.38

THIS DRAWING IS A CONTROLLED DOCUMENT.		DWN M.BONNIN 14MAR2017	TE Connectivity	
		CHK JF.GALIPAUD 14MAR2017		
DIMENSIONS: mm		APVD M.VIMARD 14MAR2017	NAME S/E contact femelle cal.20 à talon M12 et M14	
TOLERANCES UNLESS OTHERWISE SPECIFIED: 0 PLC : . . . 1 PLC : . . . 2 PLC : . . . 3 PLC : . . . 4 PLC : . . . ANGLES : . . .		PRODUCT SPEC 108-157010	S/A Female contact cal.20 , connection for lug M12 and M14	
MATERIAL : . . .		APPLICATION SPEC 114-157007	SIZE A2	CAGE CODE C-212739
FINISH : . . .		WEIGHT 197.91 g	RESTRICTED TO	
		CUSTOMER DRAWING	SCALE 1:1	SHEET 1 OF 1
			REV A1	