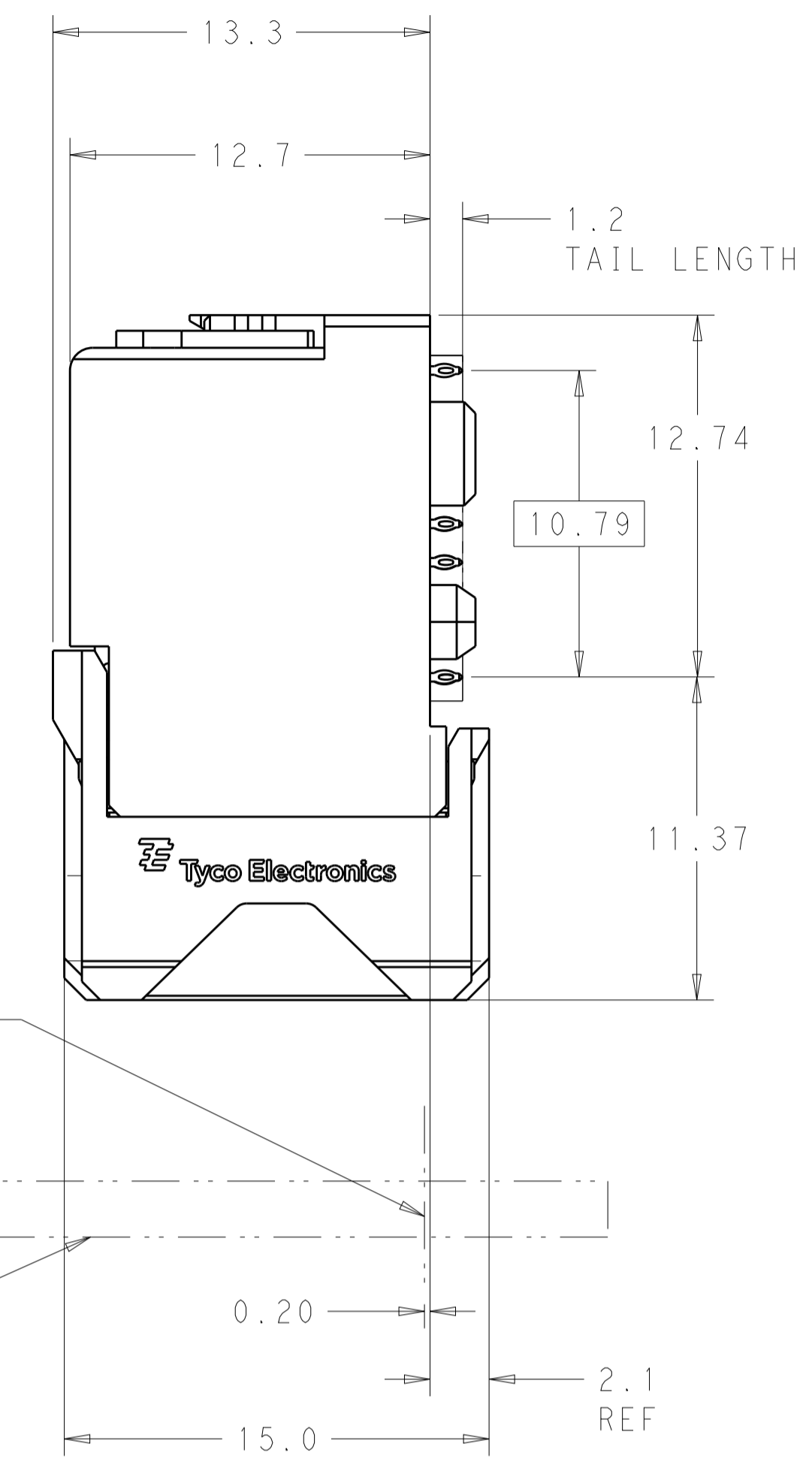
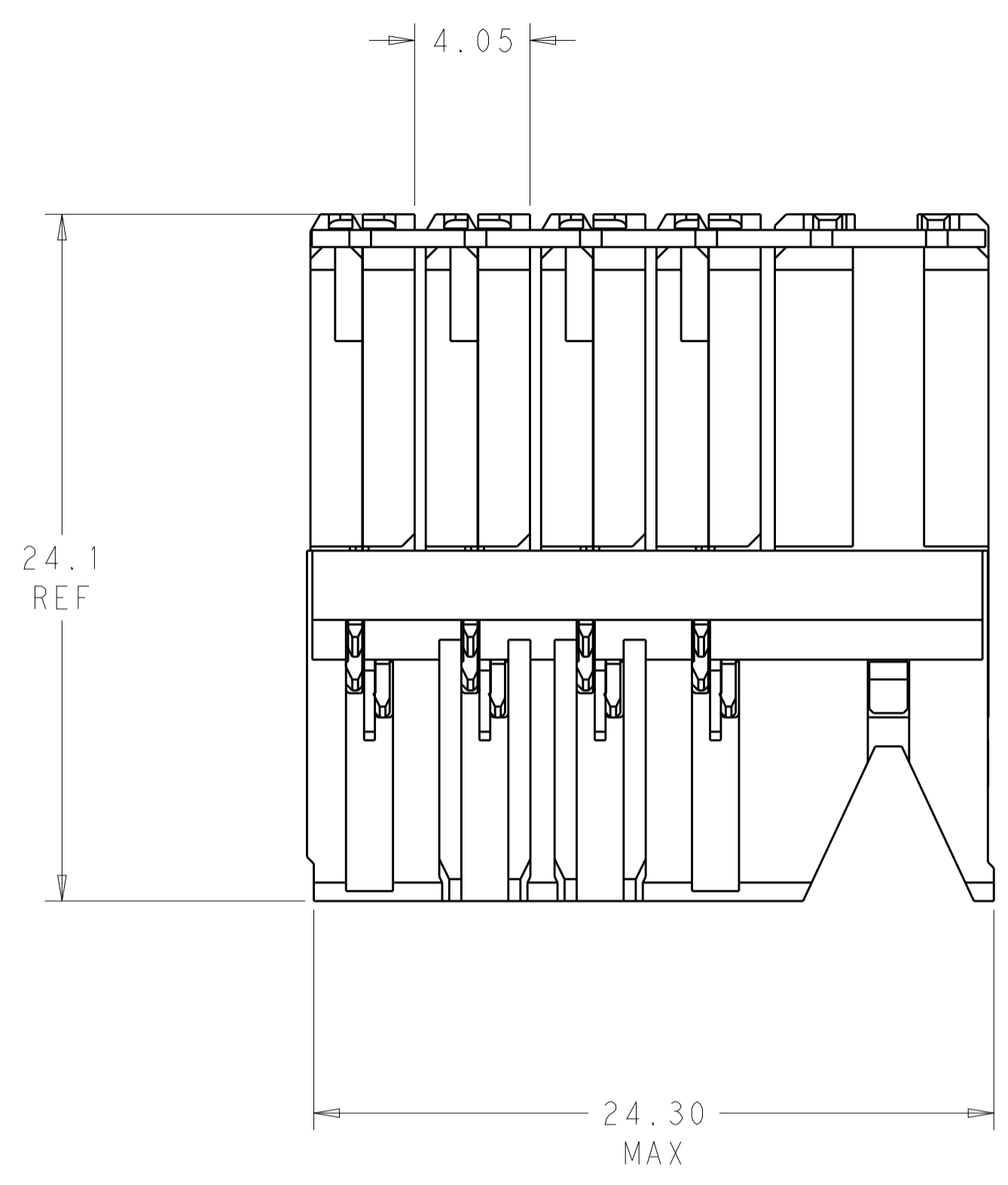
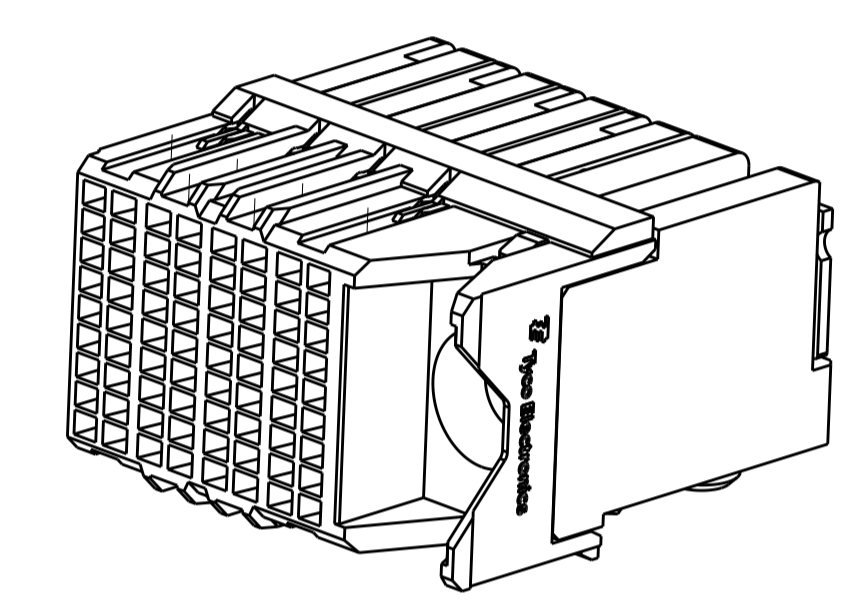


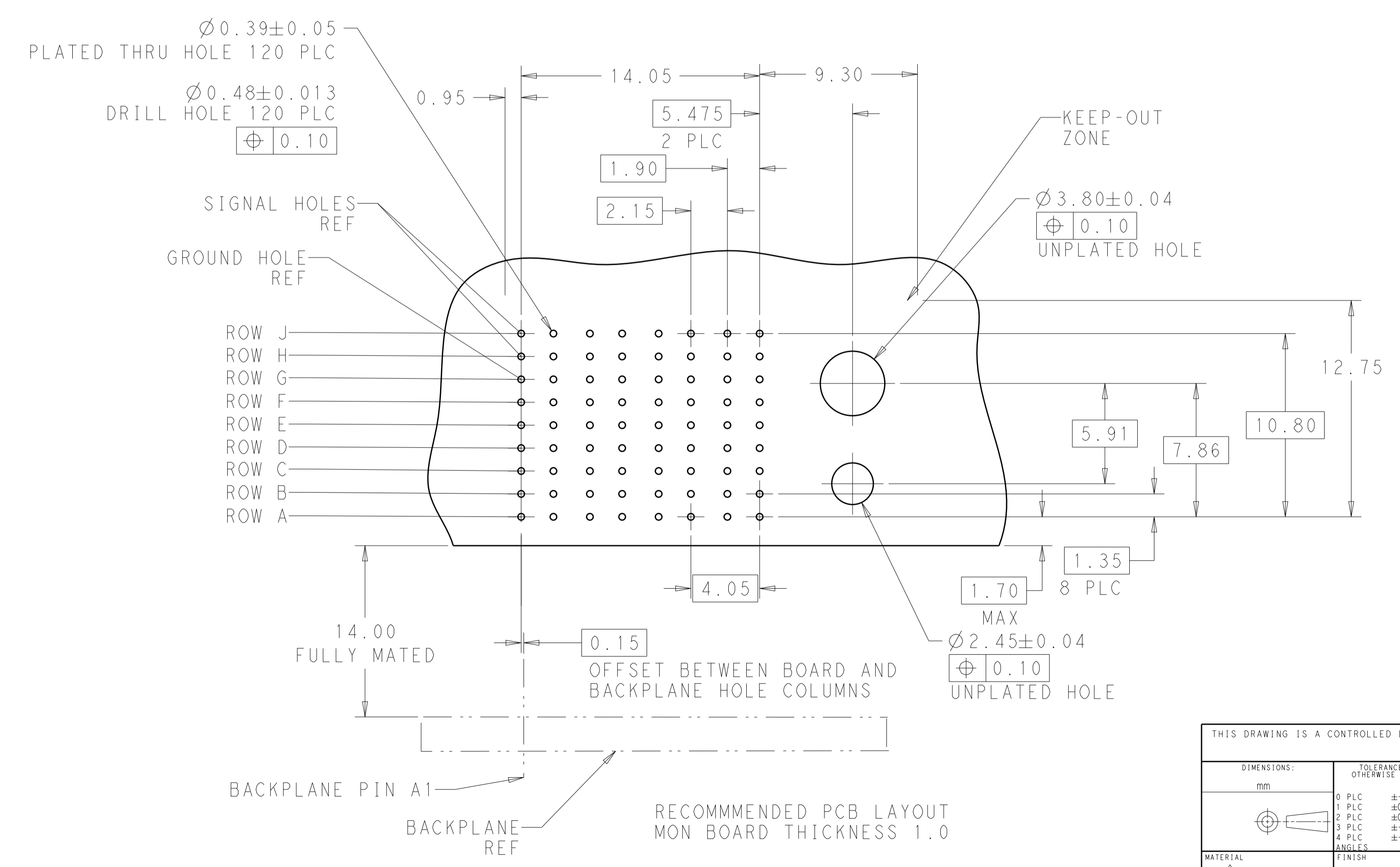
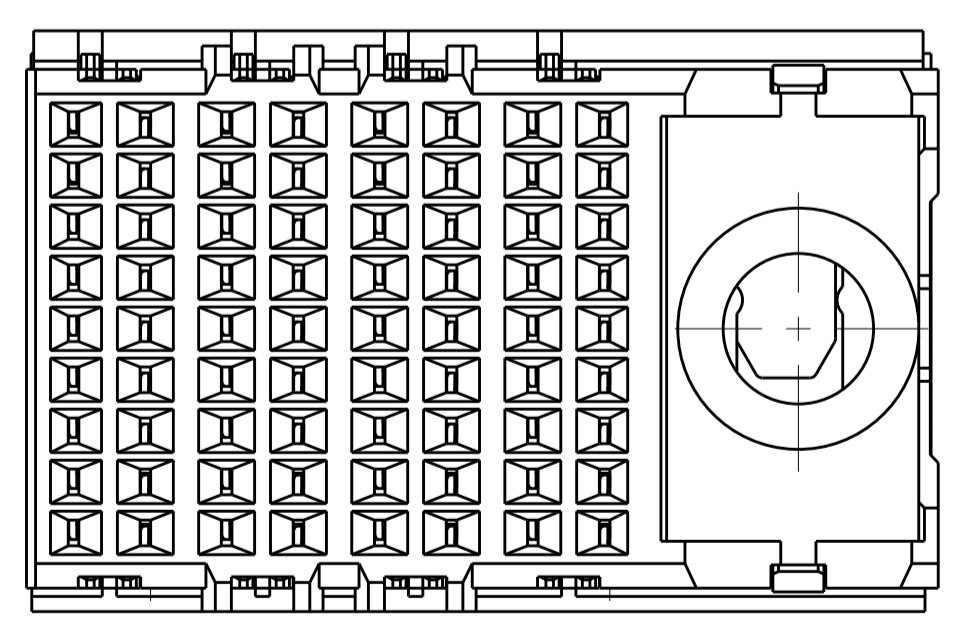
REVISIONS				
P.	LTN.	DESCRIPTION	DATE	APVD.
A		REVISED PER ECO-15-003242	23MAR2015	AP DD



- △ MATERIAL:  
HOUSING: LCP, GLASS FILLED, UL94V-0  
TERMINALS: HIGH PERFORMANCE COPPER ALLOY
- △ FINISH:  
30u" SELECTIVE GOLD IN CONTACT AREA, SELECTIVE TIN ON PCB TAILS, NICKEL OVERALL
- 3. EACH SIGNAL WAFER CONTAINS 2 COLUMNS OF TERMINALS
- △ FINISH:  
30u" SELECTIVE GOLD IN CONTACT AREA, SELECTIVE TIN-LEAD ON PCB TAILS, NICKEL OVERALL



SCALE 3:1



△	2132426-5
△	2132426-1
FINISH	PART NUMBER

THIS DRAWING IS A CONTROLLED DOCUMENT.		DWN: M. HORNIG 23NOV2010	TE Connectivity
DIMENSIONS: mm		CHK: D. DIXON 23NOV2010	
TOLERANCES UNLESS OTHERWISE SPECIFIED:		APVD: D. DIXON 23NOV2010	NAME: IMPACT, 3 PR, 8 COL, DAUGHTERCARD, RIGHT GUIDED SIGNAL MODULE, 0.39 EYELET, ORTHOGONAL SIZE: CAGE CODE DRAWING NO: A100779 C=2132426 RESTRICTED TO:
0 PLC ± 1 PLC ±0.25 2 PLC ±0.15 3 PLC ± 4 PLC ± ANGLES ±1/2		PRODUCT SPEC: APPLICATION SPEC: WEIGHT: Customer Drawing	
MATERIAL: △		SCALE: 5:1	SHEET: 1 OF 1
		REV: A	