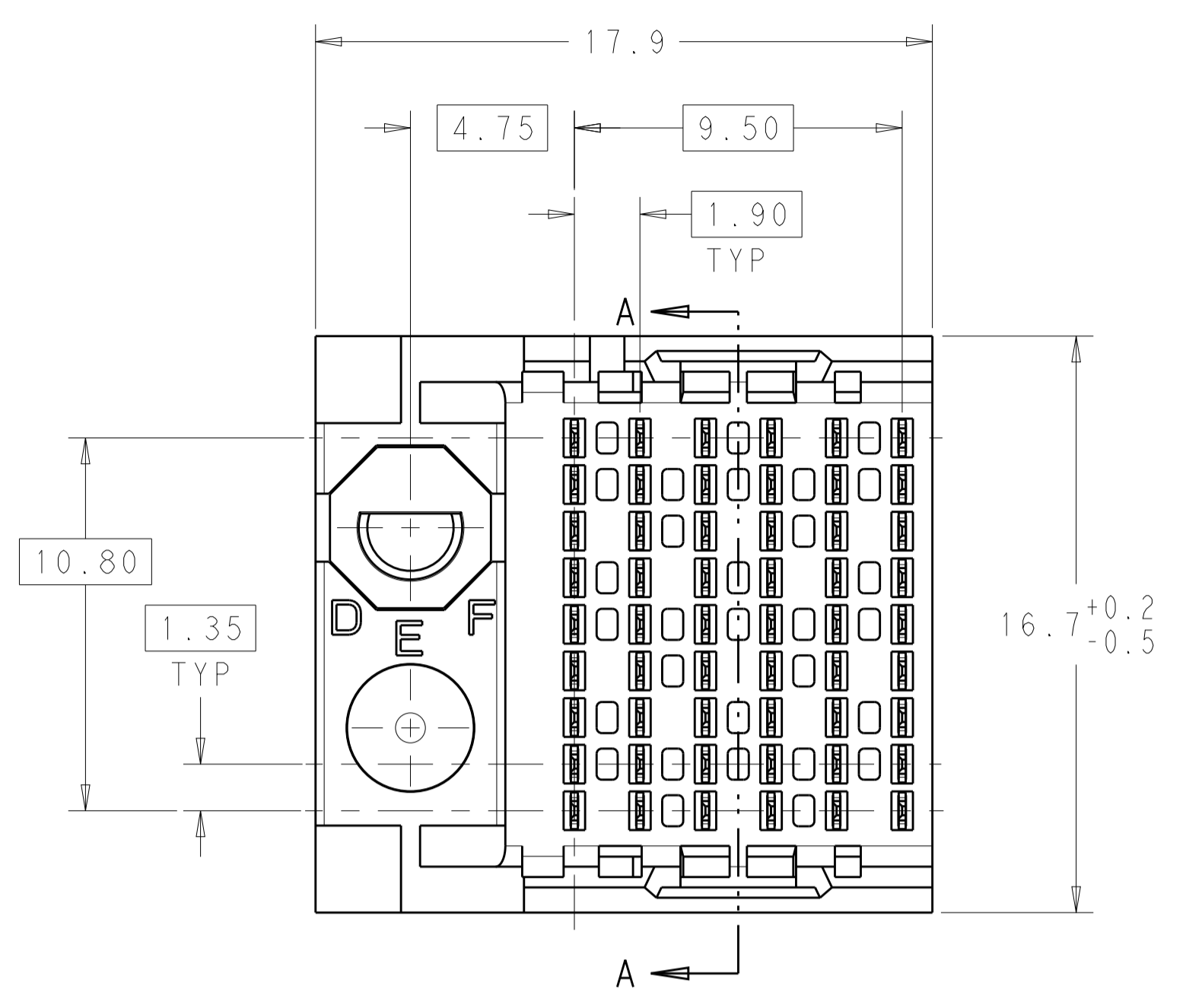
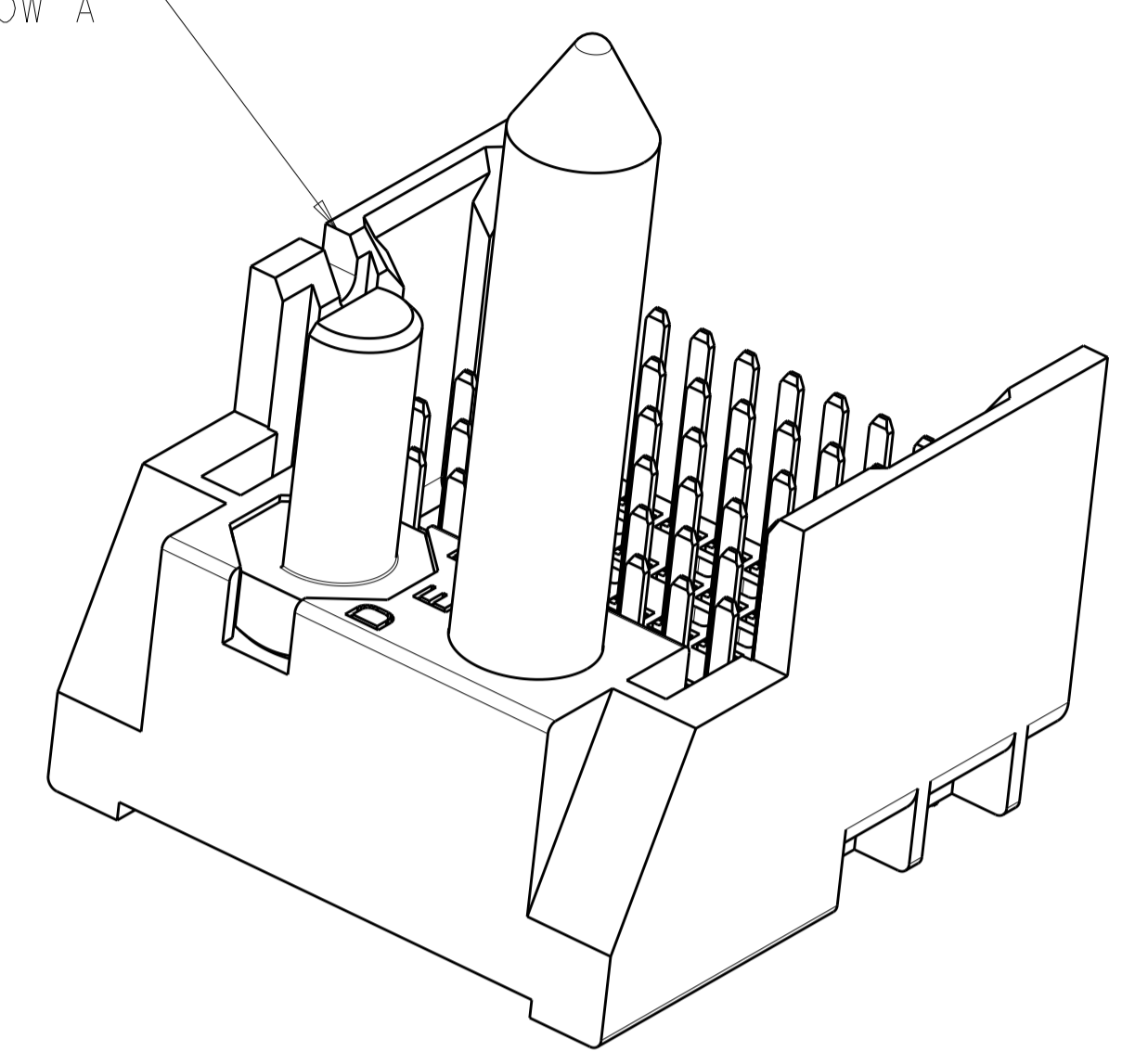


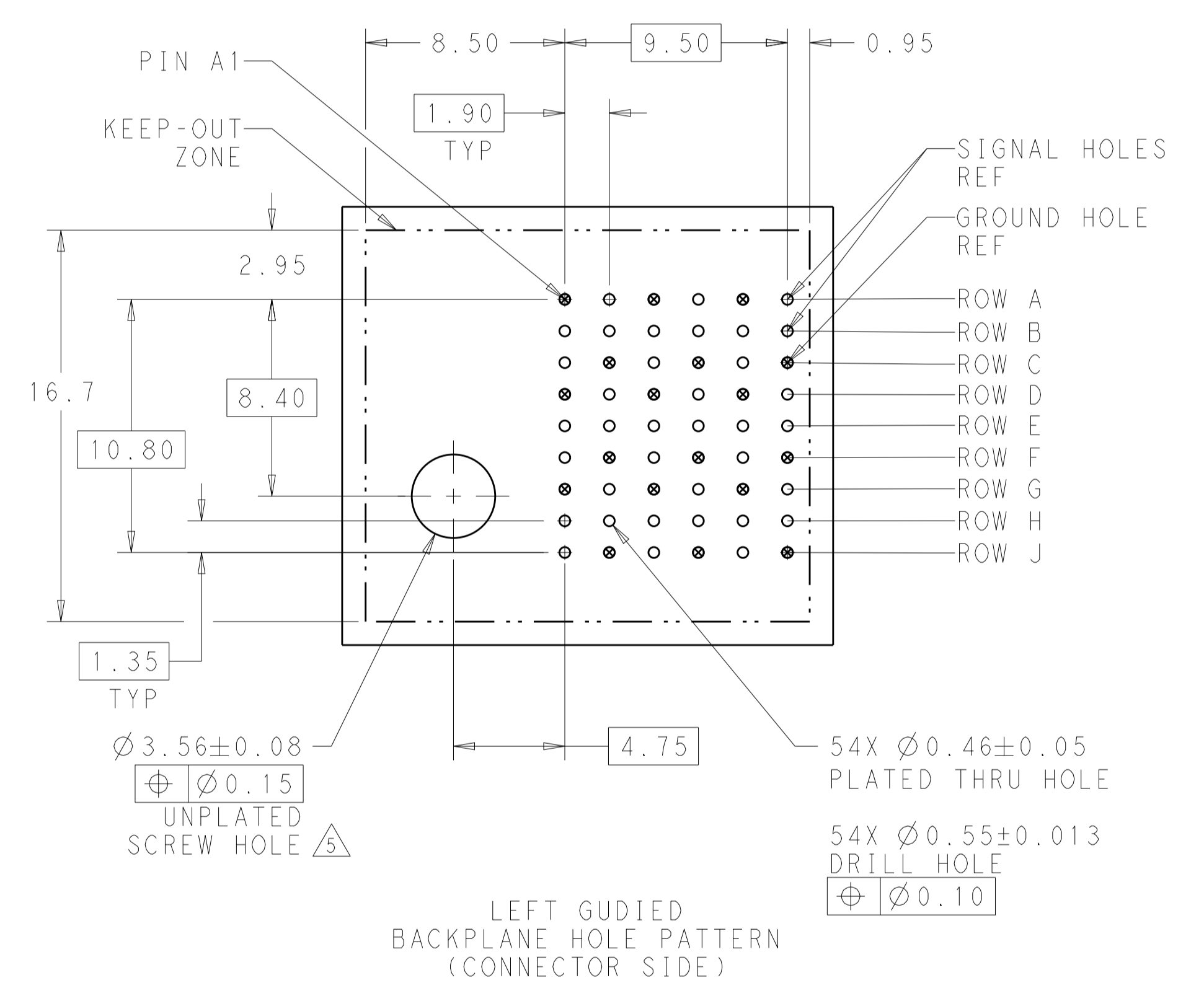
LOC		DIST		REVISIONS			
AD	00	P	LTH	DESCRIPTION	DATE	DWN	APVD
		B		HOUSING UPDATE	11AUG2011	RKC	JE



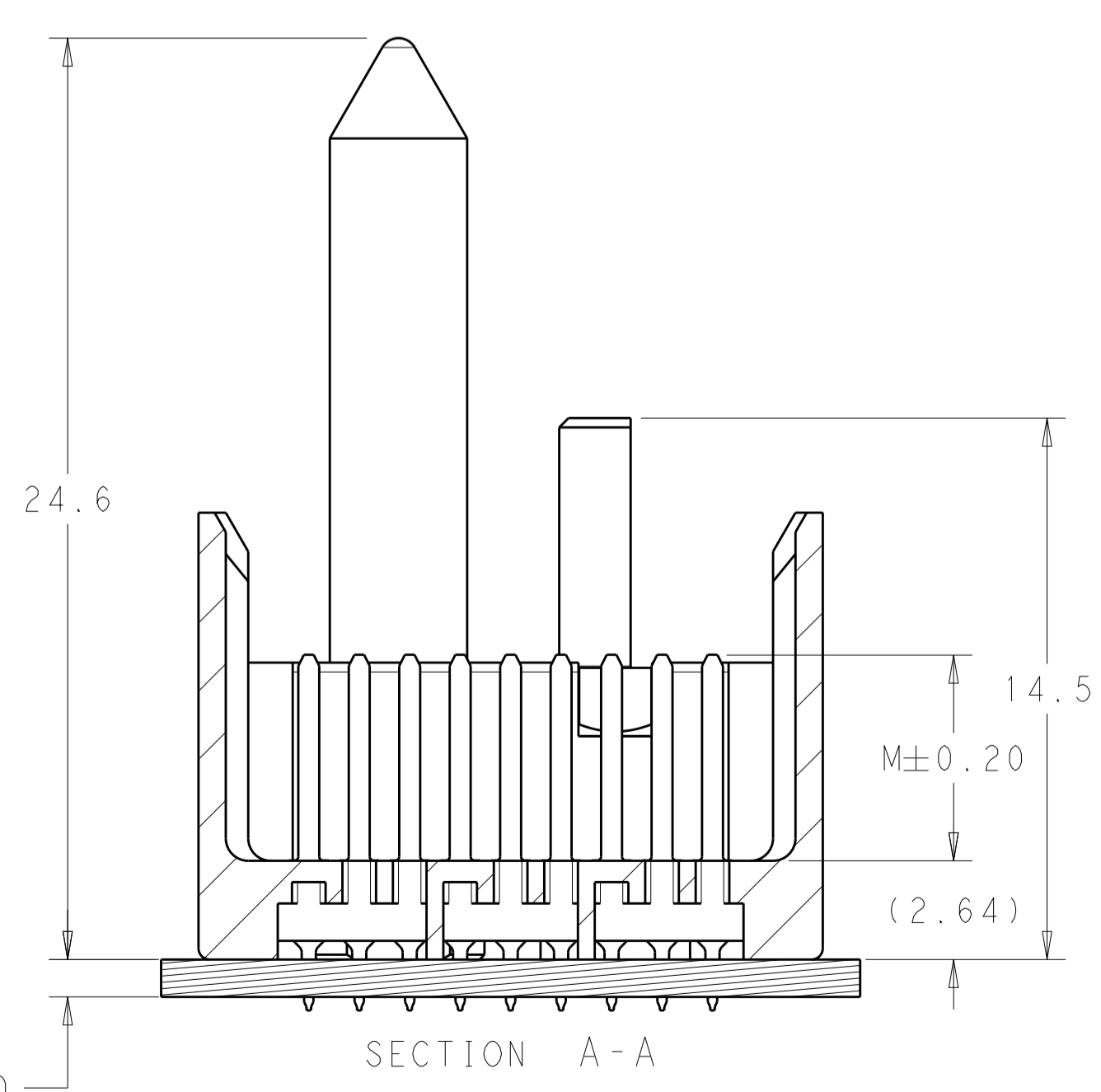
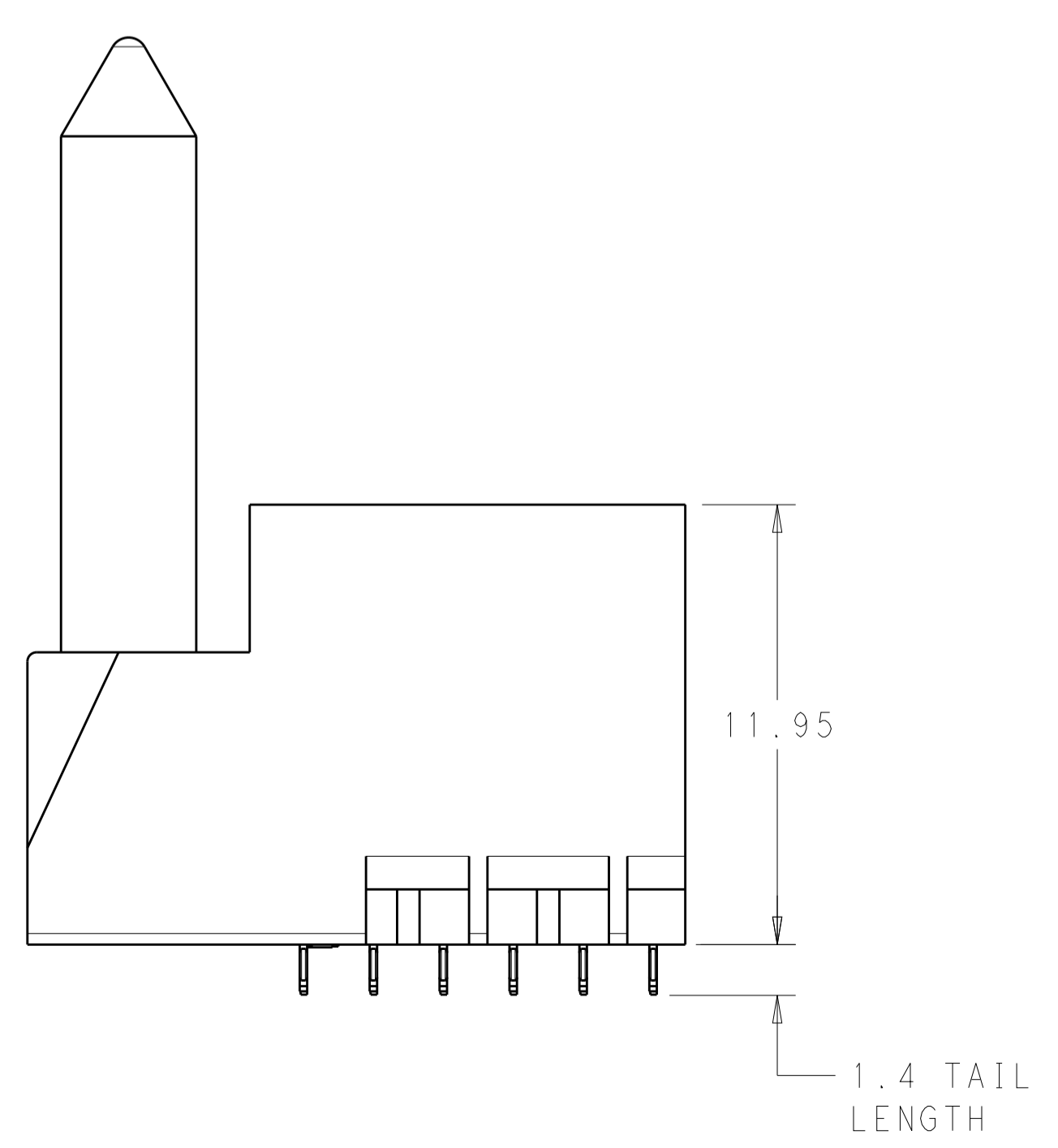
NOTCH DESIGNATES ROW A



- 1. MATERIAL:
HOUSING: LCP, GLASS FILLED, UL94V-0.
TERMINALS: HIGH PERFORMANCE COPPER ALLOY.
- 2. FINISH:
30µ" MIN GOLD IN CONTACT AREA. SELECTIVE TIN ON PCB TAILS, NICKEL OVERALL.
- 3. FINISH:
30µ" MIN GOLD IN CONTACT AREA. SELECTIVE TIN-LEAD ON PCB TAILS, NICKEL OVERALL.
- 4. SCREWS PACKAGED IN END OF PACKAGING TUBE.
- 5. FOR GROUNDED GUIDE PIN USE Ø3.56±0.08 PTH, Ø3.66 DRILL, AND Ø6.5 PAD.
- 6. KEYING PIN SHOWN IN POSITION A, SEE KEYING CHART ON SHEET 2 FOR OTHER POSITIONS.



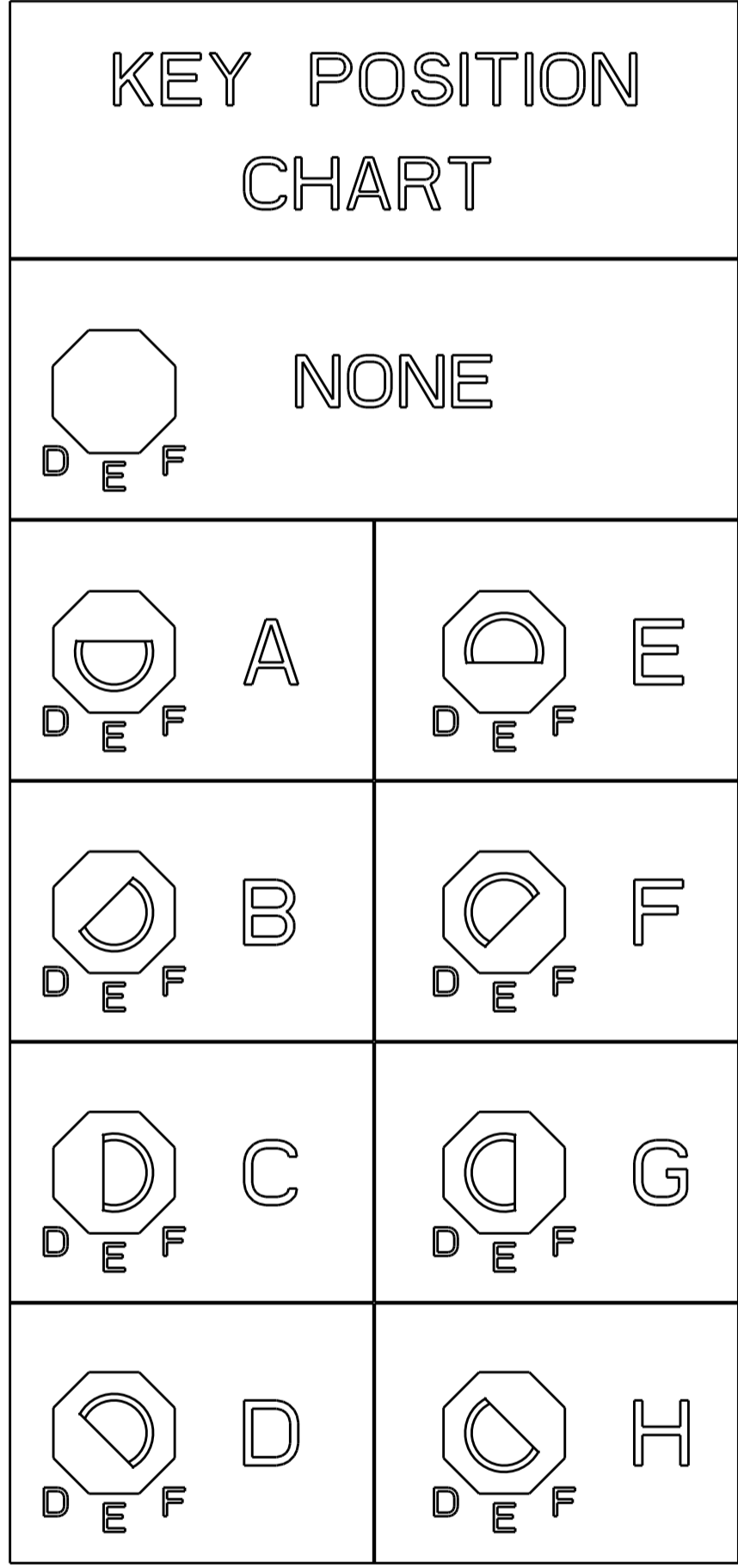
LEFT GUIDED BACKPLANE HOLE PATTERN (CONNECTOR SIDE)



THIS DRAWING IS A CONTROLLED DOCUMENT.		DWN: R. COELLO 04MAY2011	TE Connectivity
DIMENSIONS: mm		CHK: J. EARY 04MAY2011	
TOLERANCES UNLESS OTHERWISE SPECIFIED:		APVD: J. EARY 04MAY2011	NAME: IMPACT, 3 PAIR, 6 COLUMN, HEADER LEFT GUIDED, OPEN END WALL SIGNAL MODULE, 0.46 PTH
0 PLC ±0.25		PRODUCT SPEC	SIZE: A100779
1 PLC ±0.13		APPLICATION SPEC	CAGE CODE: C=2132526
2 PLC ±0.10		WEIGHT	RESTRICTED TO
3 PLC ±0.08		CUSTOMER DRAWING	SCALE: 6:1 SHEET 1 OF 2 REV B
4 PLC ±0.05			
ANGLES			
FINISH: SEE TABLE			

LOC		DIST		REVISIONS			
AD	00	P	LTN	DESCRIPTION	DATE	DWN	APVD
		-		SEE SHEET 1		-	-

3	H	5.5	8-2132526-6
3	H	4.9	8-2132526-5
3	H	4.5	8-2132526-4
2	H	5.5	8-2132526-3
2	H	4.9	8-2132526-2
2	H	4.5	8-2132526-1
3	G	5.5	7-2132526-6
3	G	4.9	7-2132526-5
3	G	4.5	7-2132526-4
2	G	5.5	7-2132526-3
2	G	4.9	7-2132526-2
2	G	4.5	7-2132526-1
3	F	5.5	6-2132526-6
3	F	4.9	6-2132526-5
3	F	4.5	6-2132526-4
2	F	5.5	6-2132526-3
2	F	4.9	6-2132526-2
2	F	4.5	6-2132526-1
3	E	5.5	5-2132526-6
3	E	4.9	5-2132526-5
3	E	4.5	5-2132526-4
2	E	5.5	5-2132526-3
2	E	4.9	5-2132526-2
2	E	4.5	5-2132526-1
3	D	5.5	4-2132526-6
3	D	4.9	4-2132526-5
3	D	4.5	4-2132526-4
2	D	5.5	4-2132526-3
2	D	4.9	4-2132526-2
2	D	4.5	4-2132526-1
3	C	5.5	3-2132526-6
3	C	4.9	3-2132526-5
3	C	4.5	3-2132526-4
2	C	5.5	3-2132526-3
2	C	4.9	3-2132526-2
2	C	4.5	3-2132526-1
3	B	5.5	2-2132526-6
3	B	4.9	2-2132526-5
3	B	4.5	2-2132526-4
2	B	5.5	2-2132526-3
2	B	4.9	2-2132526-2
2	B	4.5	2-2132526-1
3	A	5.5	1-2132526-6
3	A	4.9	1-2132526-5
3	A	4.5	1-2132526-4
2	A	5.5	1-2132526-3
2	A	4.9	1-2132526-2
2	A	4.5	1-2132526-1
3	-	5.5	2132526-6
3	-	4.9	2132526-5
3	-	4.5	2132526-4
2	-	5.5	2132526-3
2	-	4.9	2132526-2
2	-	4.5	2132526-1
FINISH	KEY POSITION	DIM M	PART NUMBER



REFER TO WWW.TE.COM
FOR PRODUCT AVAILABILITY

THIS DRAWING IS A CONTROLLED DOCUMENT.		DWN R. COELLO 04MAY2011 CHK J. EARY 04MAY2011 APVD J. EARY 04MAY2011	TE Connectivity
DIMENSIONS: mm	TOLERANCES UNLESS OTHERWISE SPECIFIED: 0 PLC ±0.25 1 PLC ±0.13 2 PLC ±0.13 3 PLC ±0.13 4 PLC ±0.13 ANGLES ±0.13	PRODUCT SPEC APPLICATION SPEC WEIGHT	
MATERIAL	FINISH SEE TABLE	CUSTOMER DRAWING	NAME IMPACT, 3 PAIR, 6 COLUMN, HEADER LEFT GUIDED, OPEN END WALL SIGNAL MODULE, 0.46 PTH SIZE CAGE CODE DRAWING NO. RESTRICTED TO A100779C=2132526
SCALE 5:1		SHEET 2 OF 2	REV B