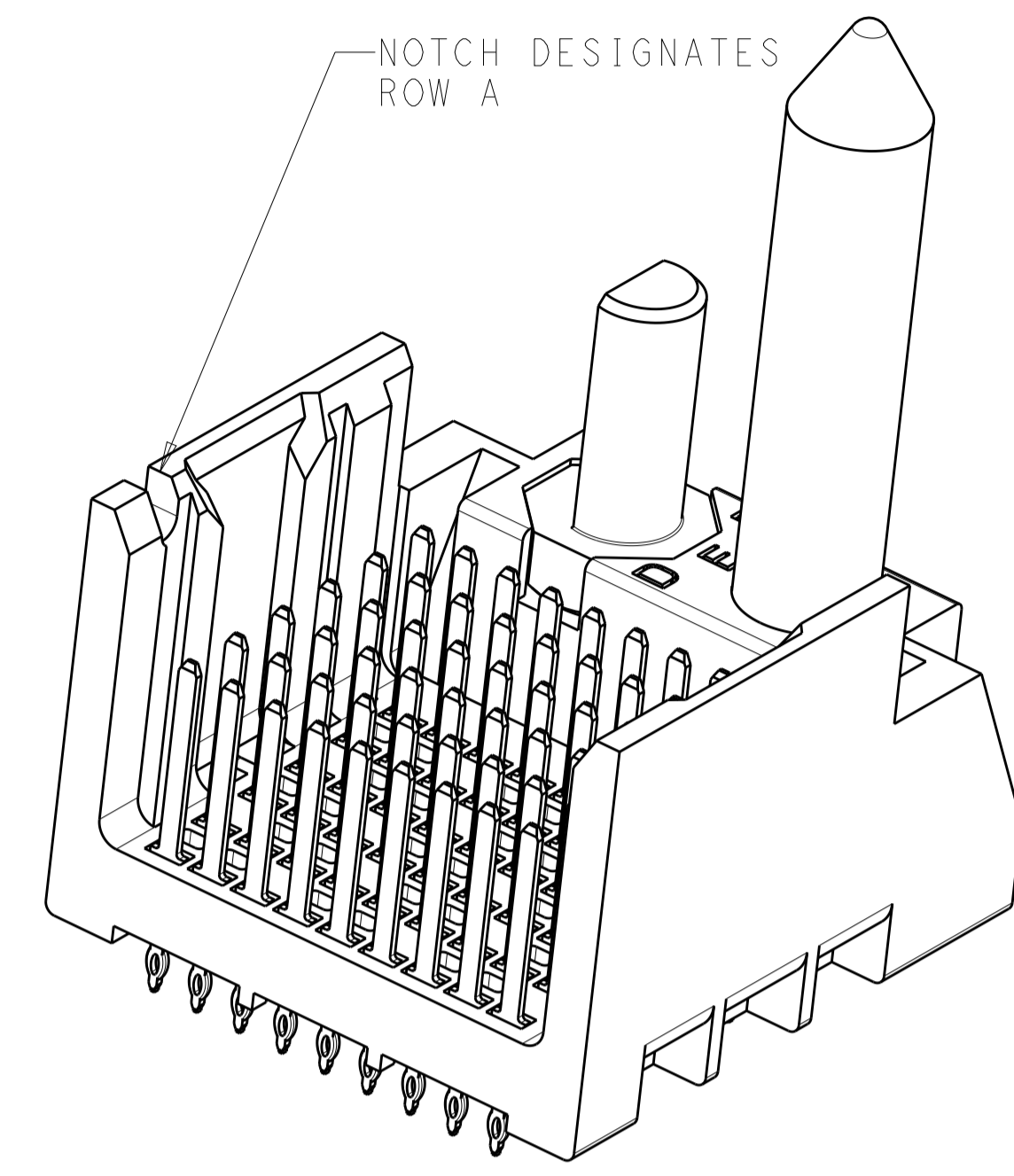
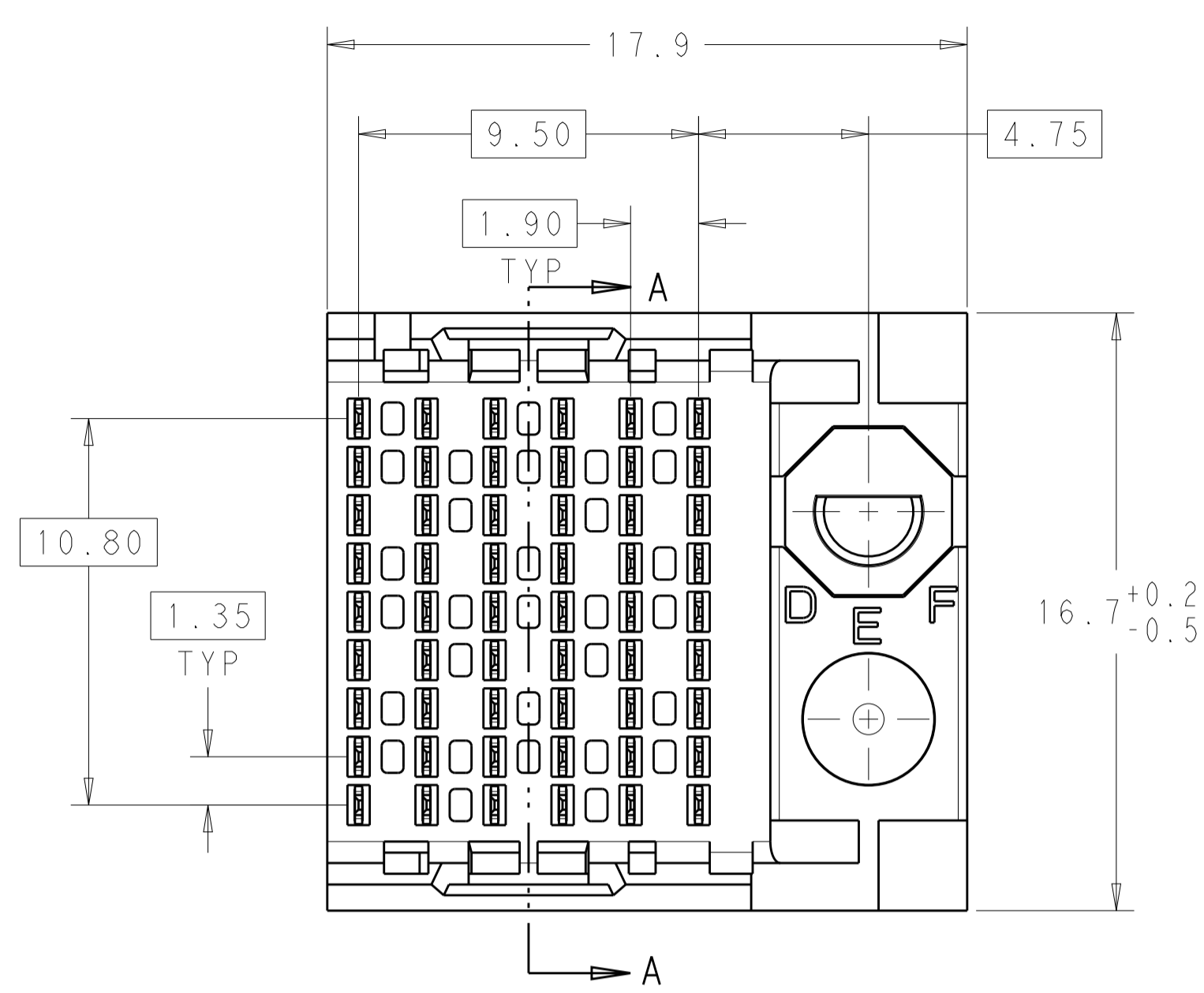
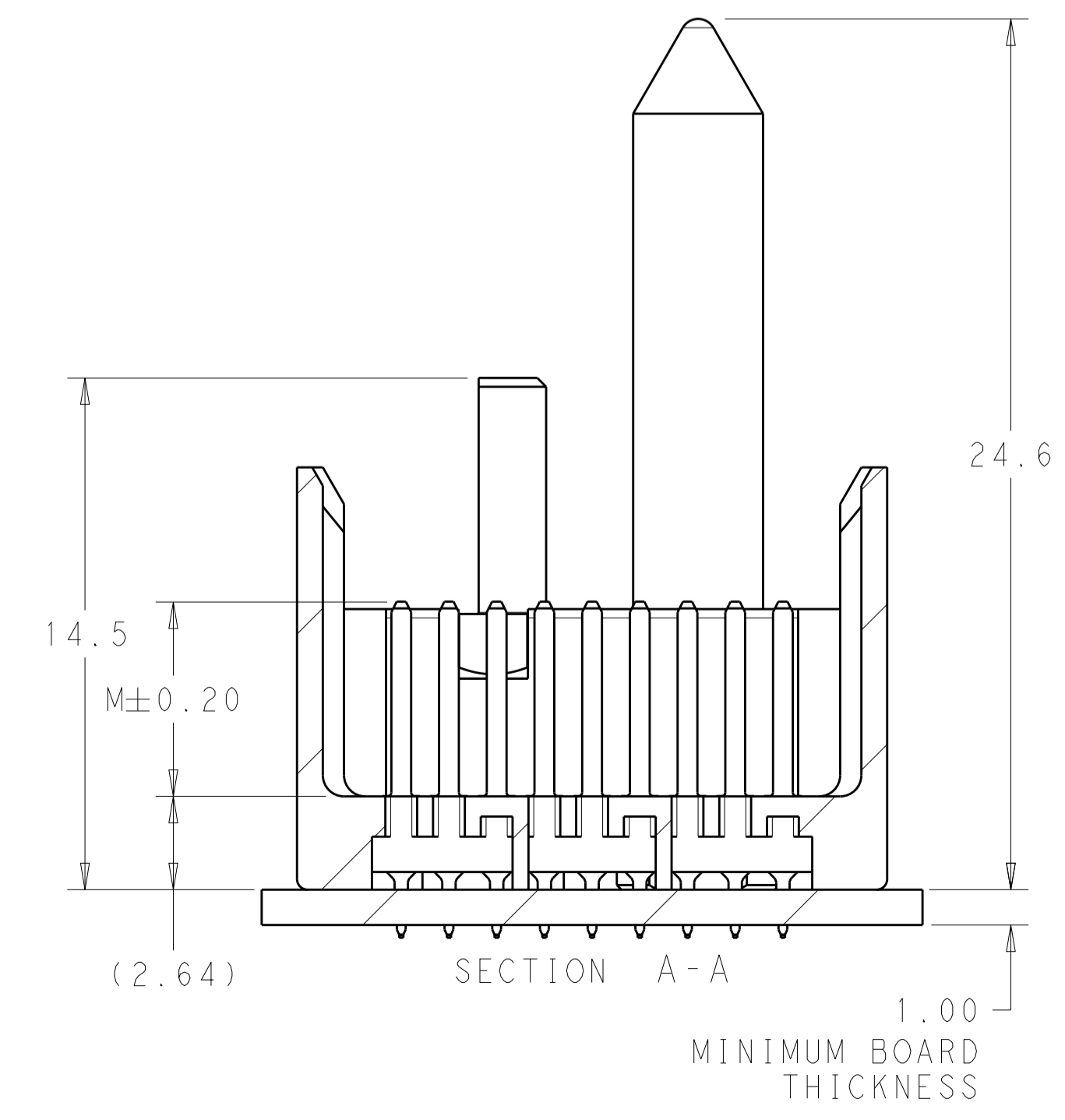
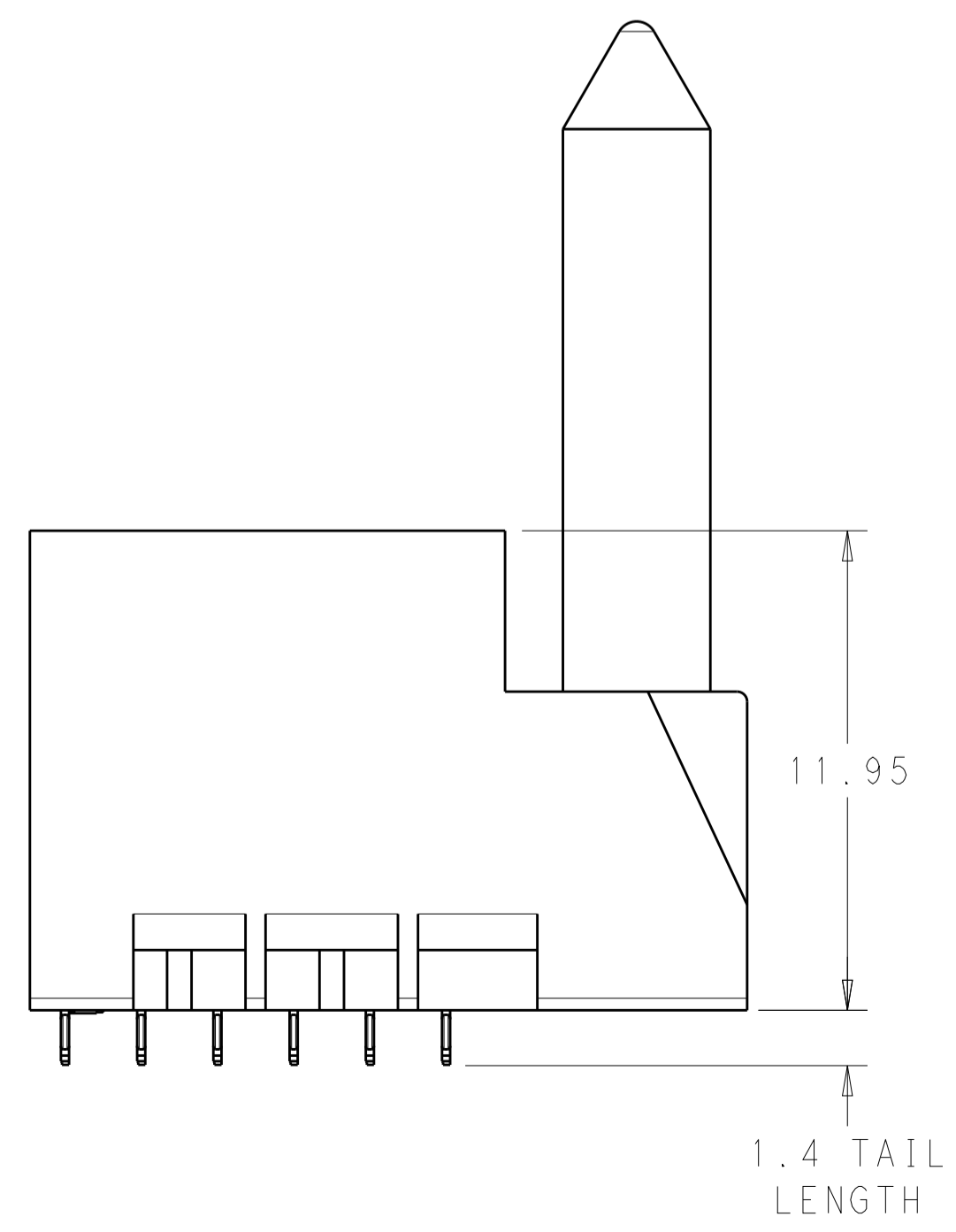
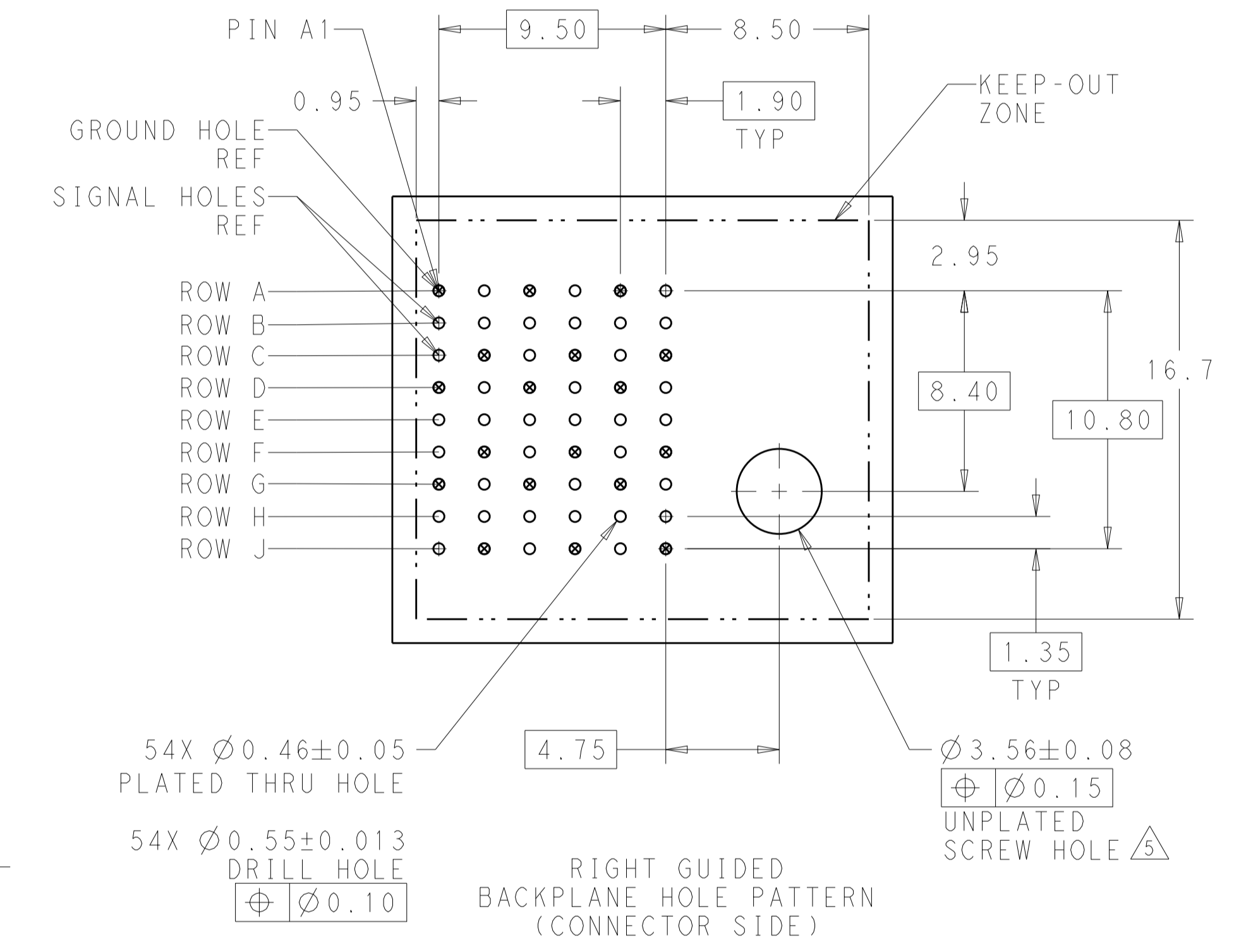


LOC		DIST		REVISIONS			
P	LTN	DESCRIPTION	DATE	DWN	APVD		
B		HOUSING UPDATE	11AUG2011	RKC	JE		



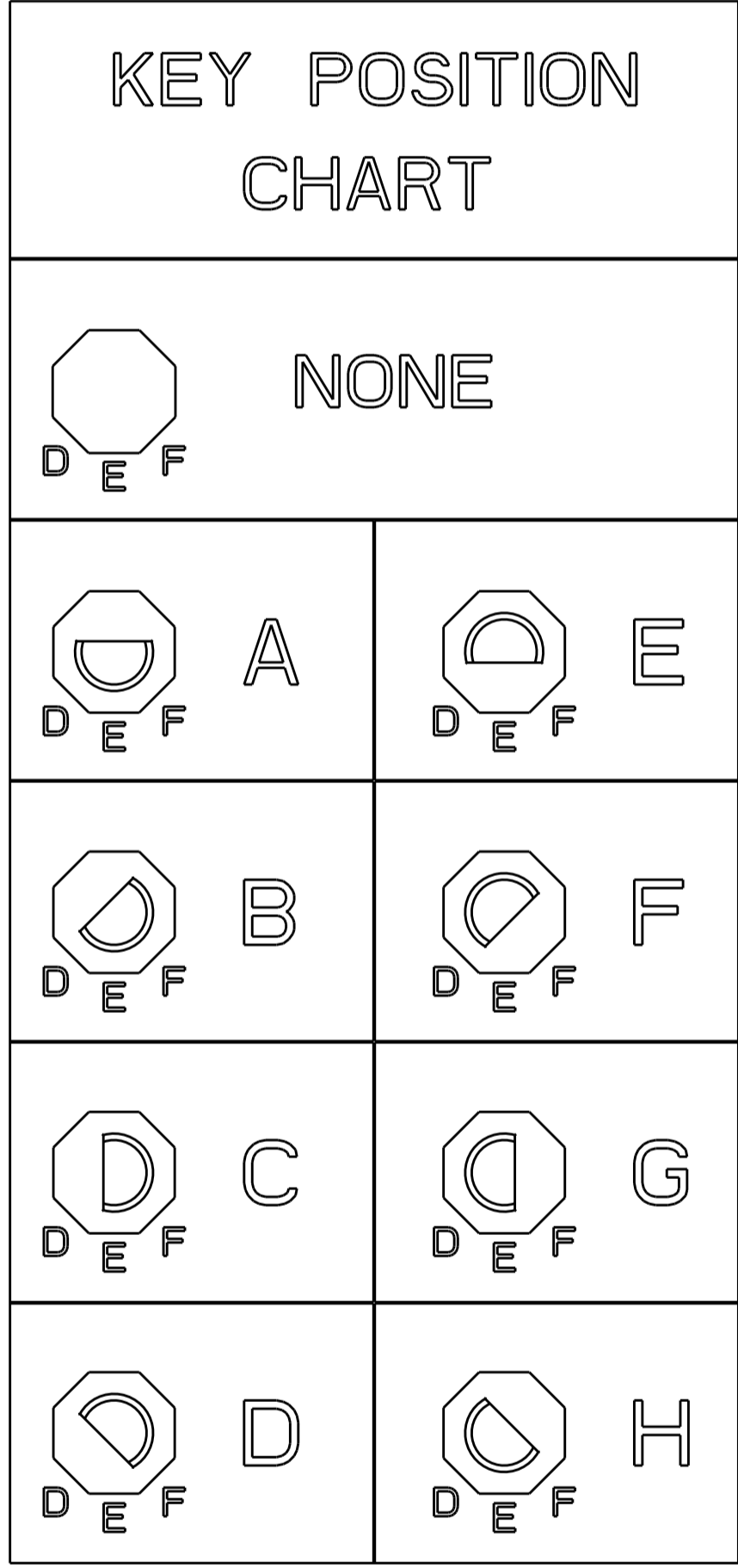
- 1. MATERIAL:  
HOUSING: LCP, GLASS FILLED, UL94V-0.  
TERMINALS: HIGH PERFORMANCE COPPER ALLOY.
- 2. FINISH:  
30μ" MIN GOLD IN CONTACT AREA. SELECTIVE TIN ON PCB TAILS, NICKEL OVERALL.
- 3. FINISH:  
30μ" MIN GOLD IN CONTACT AREA. SELECTIVE TIN-LEAD ON PCB TAILS, NICKEL OVERALL.
- 4. SCREWS PACKAGED IN END OF PACKAGING TUBE.
- 5. FOR GROUNDED GUIDE PIN USE Ø3.56±0.08 PTH, Ø3.66 DRILL, AND Ø6.5 PAD.
- 6. KEYING PIN SHOWN IN POSITION A, SEE KEYING CHART ON SHEET 2 FOR OTHER POSITIONS.



THIS DRAWING IS A CONTROLLED DOCUMENT.		DWN: R. COELLO 04MAY2011	TE Connectivity
DIMENSIONS: mm		CHK: J. EARY 04MAY2011	
TOLERANCES UNLESS OTHERWISE SPECIFIED:		APVD: J. EARY 04MAY2011	
0 PLC ± 1 PLC ±0.25 2 PLC ±0.13 3 PLC ± 4 PLC ± ANGLES ±		NAME: IMPACT, 3 PAIR, 6 COLUMN, HEADER RIGHT GUIDED, OPEN END WALL SIGNAL MODULE, 0.46 PTH	
MATERIAL: SEE TABLE		SIZE: A100779	DRAWING NO: C=2132530
FINISH: SEE TABLE		WEIGHT: -	RESTRICTED TO: -
CUSTOMER DRAWING		SCALE: 6:1	SHEET 1 OF 2 REV B

LOC		DIST		REVISIONS			
AD	00	P	LTN	DESCRIPTION	DATE	DWN	APVD
		-		SEE SHEET 1		-	-

3	H	5.5	8-2132530-6
3	H	4.9	8-2132530-5
3	H	4.5	8-2132530-4
2	H	5.5	8-2132530-3
2	H	4.9	8-2132530-2
2	H	4.5	8-2132530-1
3	G	5.5	7-2132530-6
3	G	4.9	7-2132530-5
3	G	4.5	7-2132530-4
2	G	5.5	7-2132530-3
2	G	4.9	7-2132530-2
2	G	4.5	7-2132530-1
3	F	5.5	6-2132530-6
3	F	4.9	6-2132530-5
3	F	4.5	6-2132530-4
2	F	5.5	6-2132530-3
2	F	4.9	6-2132530-2
2	F	4.5	6-2132530-1
3	E	5.5	5-2132530-6
3	E	4.9	5-2132530-5
3	E	4.5	5-2132530-4
2	E	5.5	5-2132530-3
2	E	4.9	5-2132530-2
2	E	4.5	5-2132530-1
3	D	5.5	4-2132530-6
3	D	4.9	4-2132530-5
3	D	4.5	4-2132530-4
2	D	5.5	4-2132530-3
2	D	4.9	4-2132530-2
2	D	4.5	4-2132530-1
3	C	5.5	3-2132530-6
3	C	4.9	3-2132530-5
3	C	4.5	3-2132530-4
2	C	5.5	3-2132530-3
2	C	4.9	3-2132530-2
2	C	4.5	3-2132530-1
3	B	5.5	2-2132530-6
3	B	4.9	2-2132530-5
3	B	4.5	2-2132530-4
2	B	5.5	2-2132530-3
2	B	4.9	2-2132530-2
2	B	4.5	2-2132530-1
3	A	5.5	1-2132530-6
3	A	4.9	1-2132530-5
3	A	4.5	1-2132530-4
2	A	5.5	1-2132530-3
2	A	4.9	1-2132530-2
2	A	4.5	1-2132530-1
3	-	5.5	2132530-6
3	-	4.9	2132530-5
3	-	4.5	2132530-4
2	-	5.5	2132530-3
2	-	4.9	2132530-2
2	-	4.5	2132530-1
FINISH	KEY POSITION	DIM M	PART NUMBER



REFER TO WWW.TE.COM  
FOR PRODUCT AVAILABILITY

THIS DRAWING IS A CONTROLLED DOCUMENT.		DWN R. COELLO 04MAY2011	<b>TE</b> Connectivity
DIMENSIONS: mm		CHK J. EARY 04MAY2011	
TOLERANCES UNLESS OTHERWISE SPECIFIED:		APVD J. EARY 04MAY2011	
0 PLC ±0.25 1 PLC ±0.13 2 PLC ±0.13 3 PLC ±0.13 4 PLC ±0.13 ANGLES ±0.13 FINISH SEE TABLE		NAME IMPACT, 3 PAIR, 6 COLUMN, HEADER RIGHT GUIDED, OPEN END WALL SIGNAL MODULE, 0.46 PTH PRODUCT SPEC APPLICATION SPEC WEIGHT CUSTOMER DRAWING	SIZE A100779 CAGE CODE C=2132530 SCALE 5:1 SHEET 2 OF 2 REV B