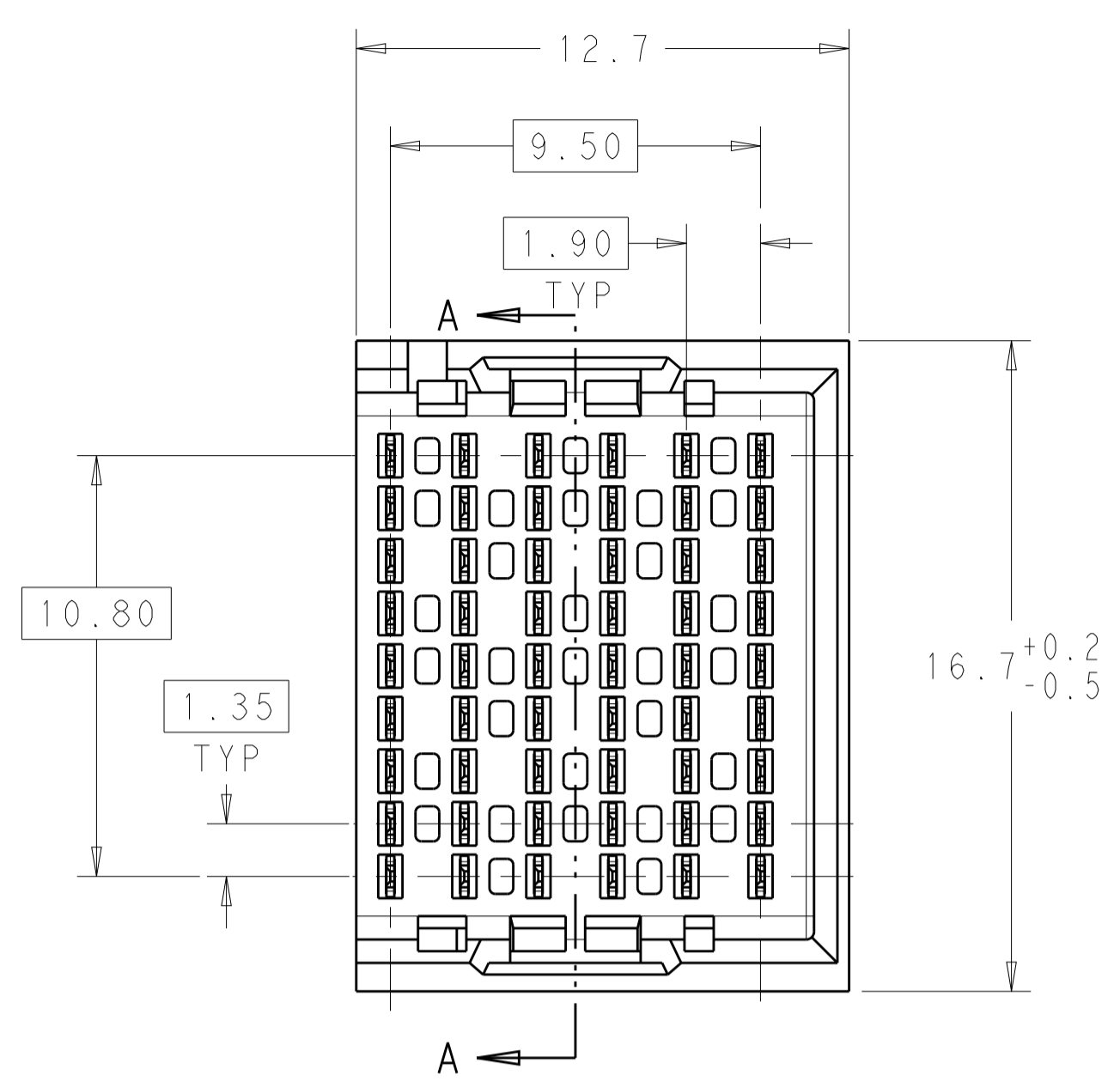
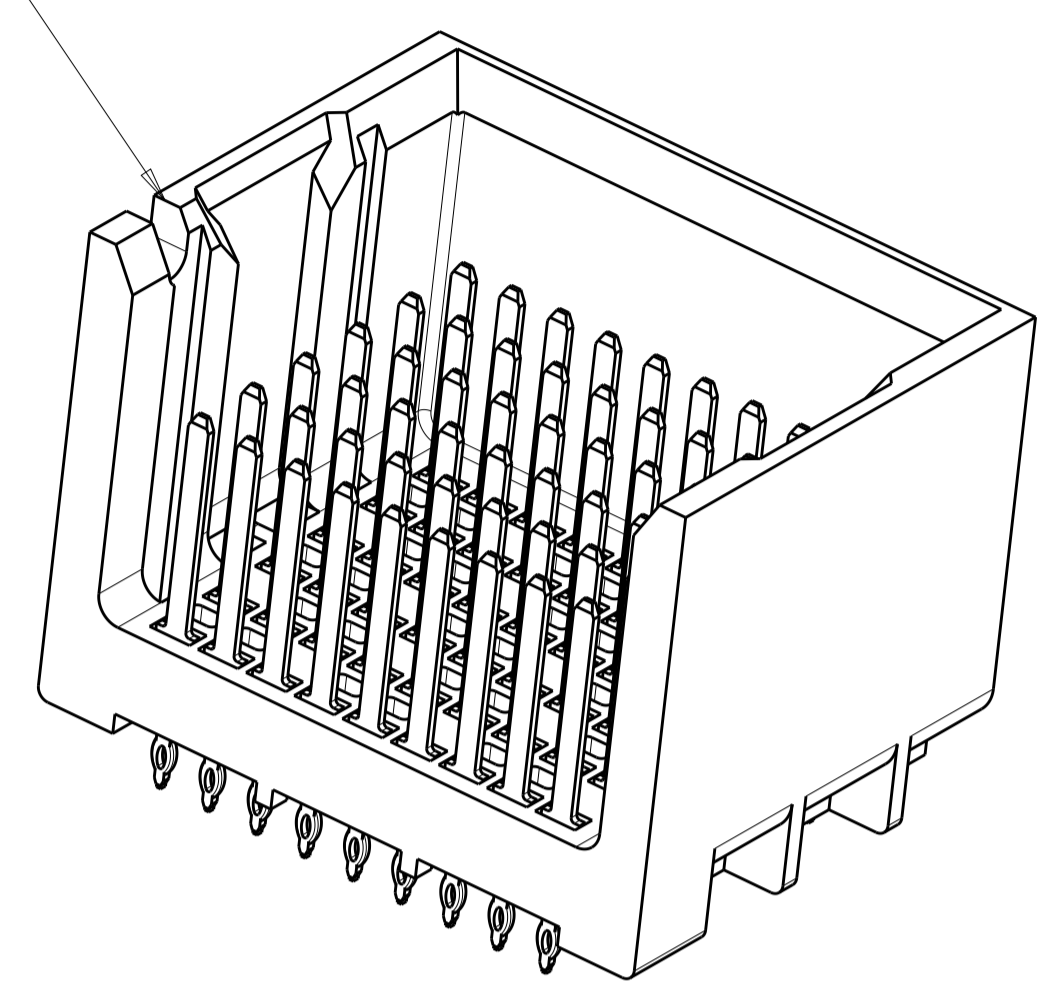


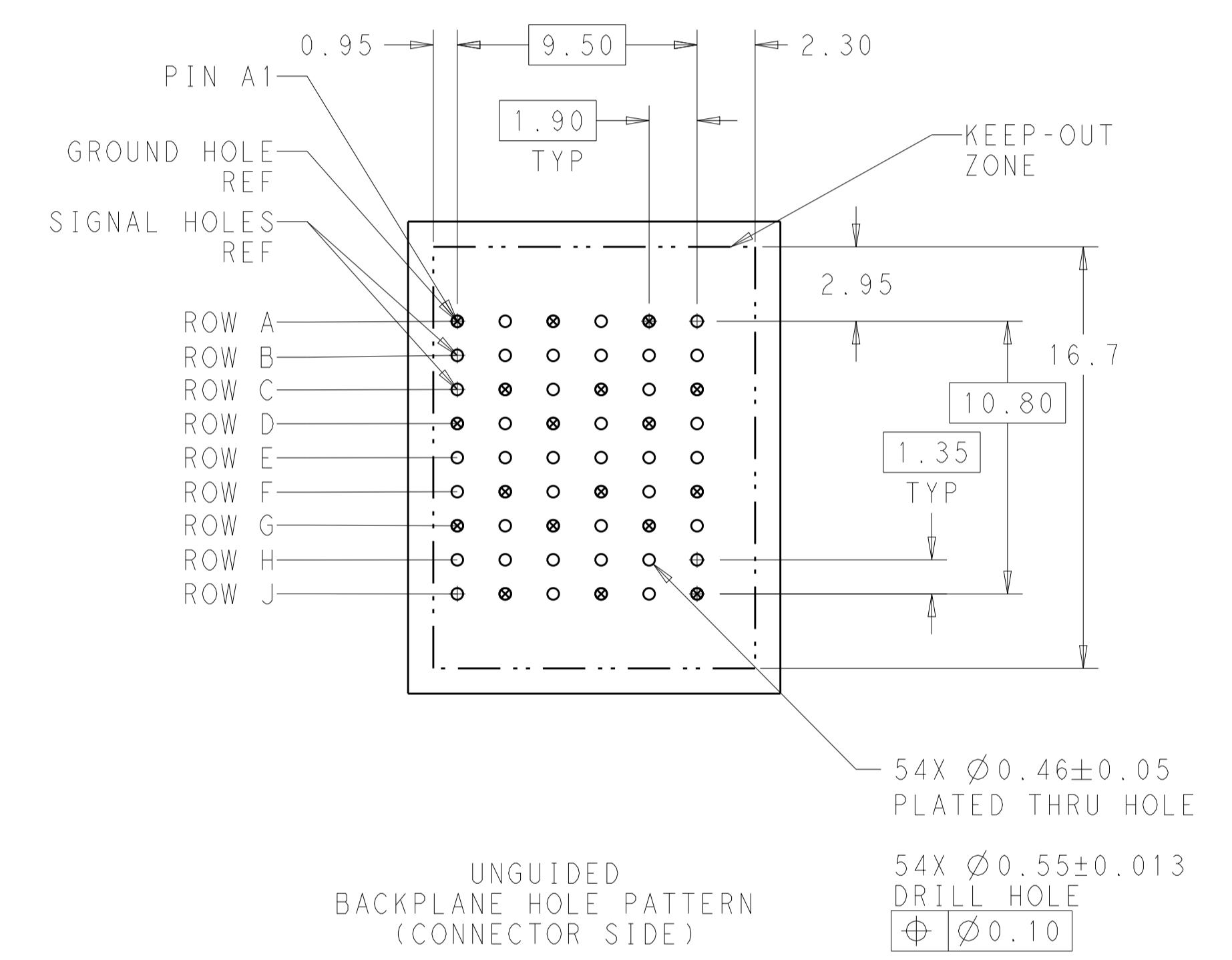
LOC	DIST	REVISIONS			
P	LTN	DESCRIPTION	DATE	DWN	APVD
B		HOUSING UPDATE	11AUG2011	RKC	JE



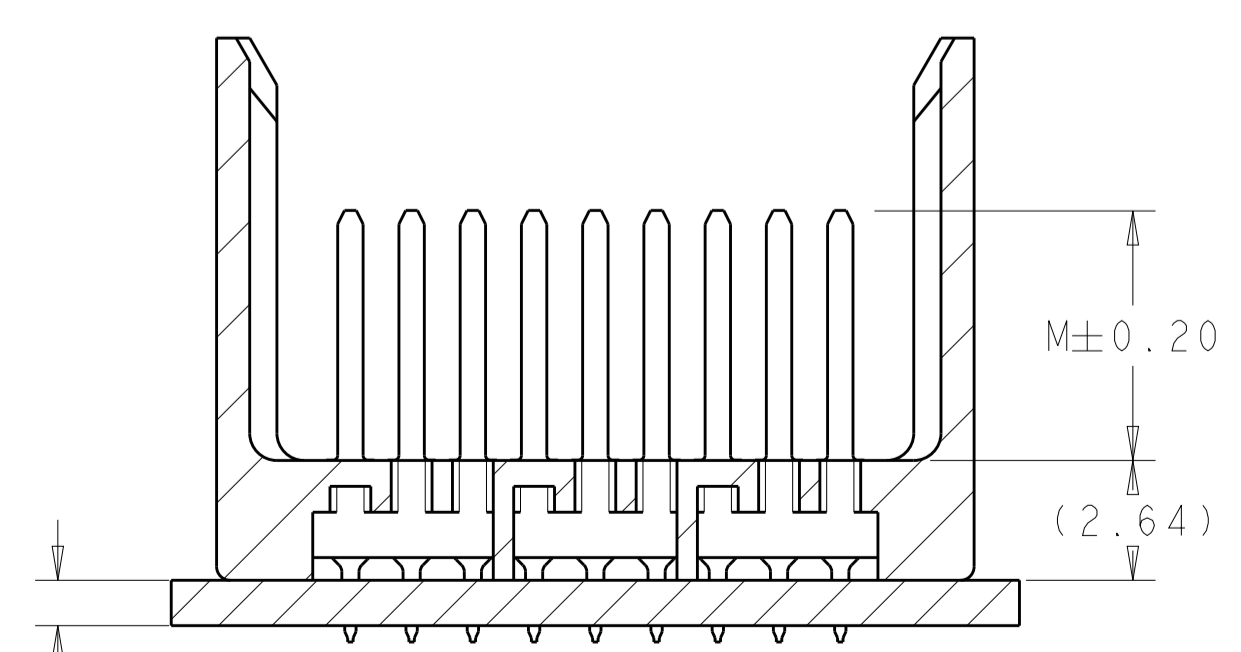
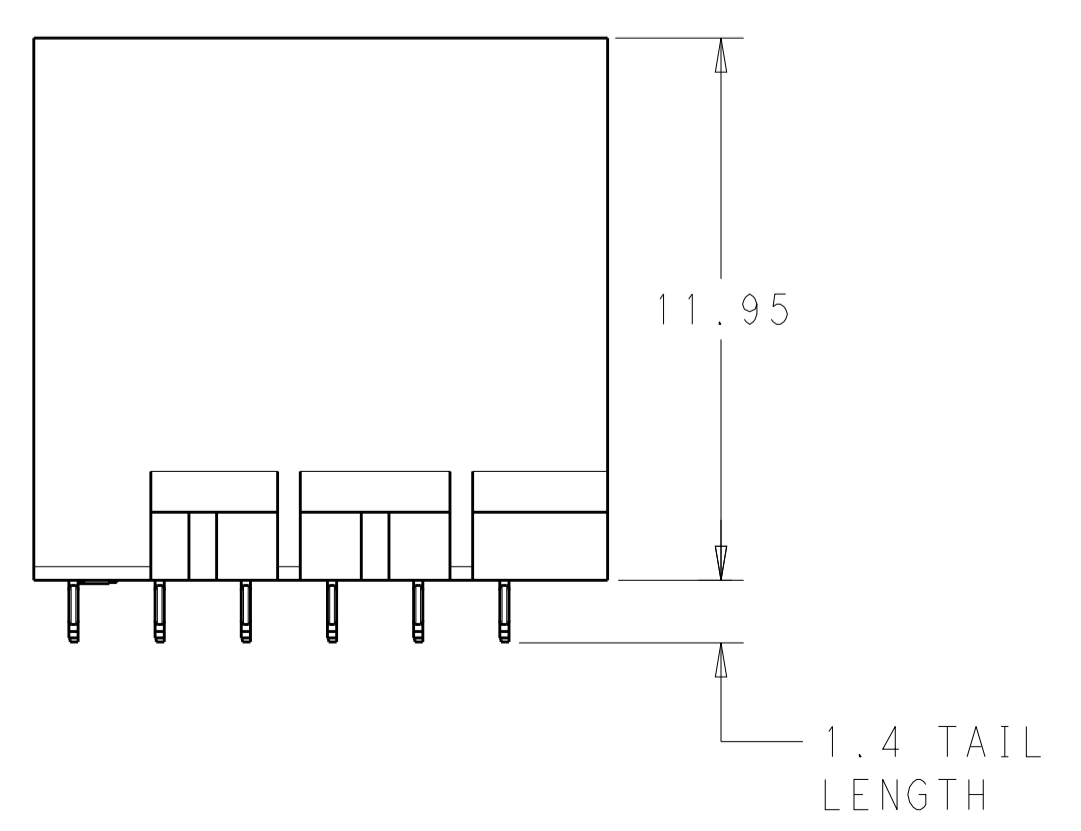
NOTCH DESIGNATES ROW A



- ⚠ MATERIAL:
HOUSING: LCP, GLASS FILLED, UL94V-0.
TERMINALS: HIGH PERFORMANCE COPPER ALLOY.
- ⚠ FINISH:
30μ" MIN GOLD IN CONTACT AREA. SELECTIVE TIN ON PCB TAILS, NICKEL OVERALL.
- ⚠ FINISH:
30μ" MIN GOLD IN CONTACT AREA. SELECTIVE TIN-LEAD ON PCB TAILS, NICKEL OVERALL.



UNGUIDED BACKPLANE HOLE PATTERN (CONNECTOR SIDE)



1.00 MINIMUM BOARD THICKNESS

SECTION A-A


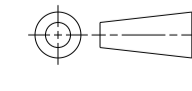
THIS DRAWING IS A CONTROLLED DOCUMENT.		DWN: R. COELLO 04MAY2011	TE Connectivity
DIMENSIONS: mm		CHK: J. EARY 04MAY2011	
TOLERANCES UNLESS OTHERWISE SPECIFIED:		APVD: J. EARY 04MAY2011	NAME: IMPACT, 3 PAIR, 6 COLUMN, HEADER UNGUIDED, RIGHT END WALL SIGNAL MODULE, 0.46 PTH
0 PLC ± 1 PLC ±0.25 2 PLC ±0.13 3 PLC ± 4 PLC ± ANGLES ±		PRODUCT SPEC	SIZE: A1
MATERIAL: SEE TABLE		APPLICATION SPEC	CAGE CODE: 00779
FINISH: SEE TABLE		WEIGHT	DRAWING NO: 2132537
		CUSTOMER DRAWING	RESTRICTED TO: B
		SCALE: 6:1	SHEET 1 OF 2
			REV: B

THIS DRAWING IS UNPUBLISHED. RELEASED FOR PUBLICATION 20
 © COPYRIGHT 20 BY - ALL RIGHTS RESERVED.

LOC	DIST	REVISIONS					
		P	LTN	DESCRIPTION	DATE	DMN	APVD
AD	00	-		SEE SHEET 1	-	-	-

FINISH	DIM M	PART NUMBER
3	5.5	2132537-6
3	4.9	2132537-5
3	4.5	2132537-4
2	5.5	2132537-3
2	4.9	2132537-2
2	4.5	2132537-1

REFER TO WWW.TE.COM
FOR PRODUCT AVAILABILITY

THIS DRAWING IS A CONTROLLED DOCUMENT.		DMN R. COELLO 04MAY2011	 TE Connectivity
DIMENSIONS: mm		CHK J. EARY 04MAY2011	
 0 PLC ± 1 PLC ±0.25 2 PLC ±0.13 3 PLC ± 4 PLC ± ANGLES ±		APVD J. EARY 04MAY2011	
MATERIAL -		PRODUCT SPEC -	NAME IMPACT, 3 PAIR, 6 COLUMN, HEADER UNGUIDED, RIGHT END WALL SIGNAL MODULE, 0.46 PTH
FINISH SEE TABLE		APPLICATION SPEC -	SIZE CAGE CODE DRAWING NO. RESTRICTED TO
CUSTOMER DRAWING		WEIGHT -	A100779C=2132537
		SCALE 5:1	SHEET 2 OF 2 REV B