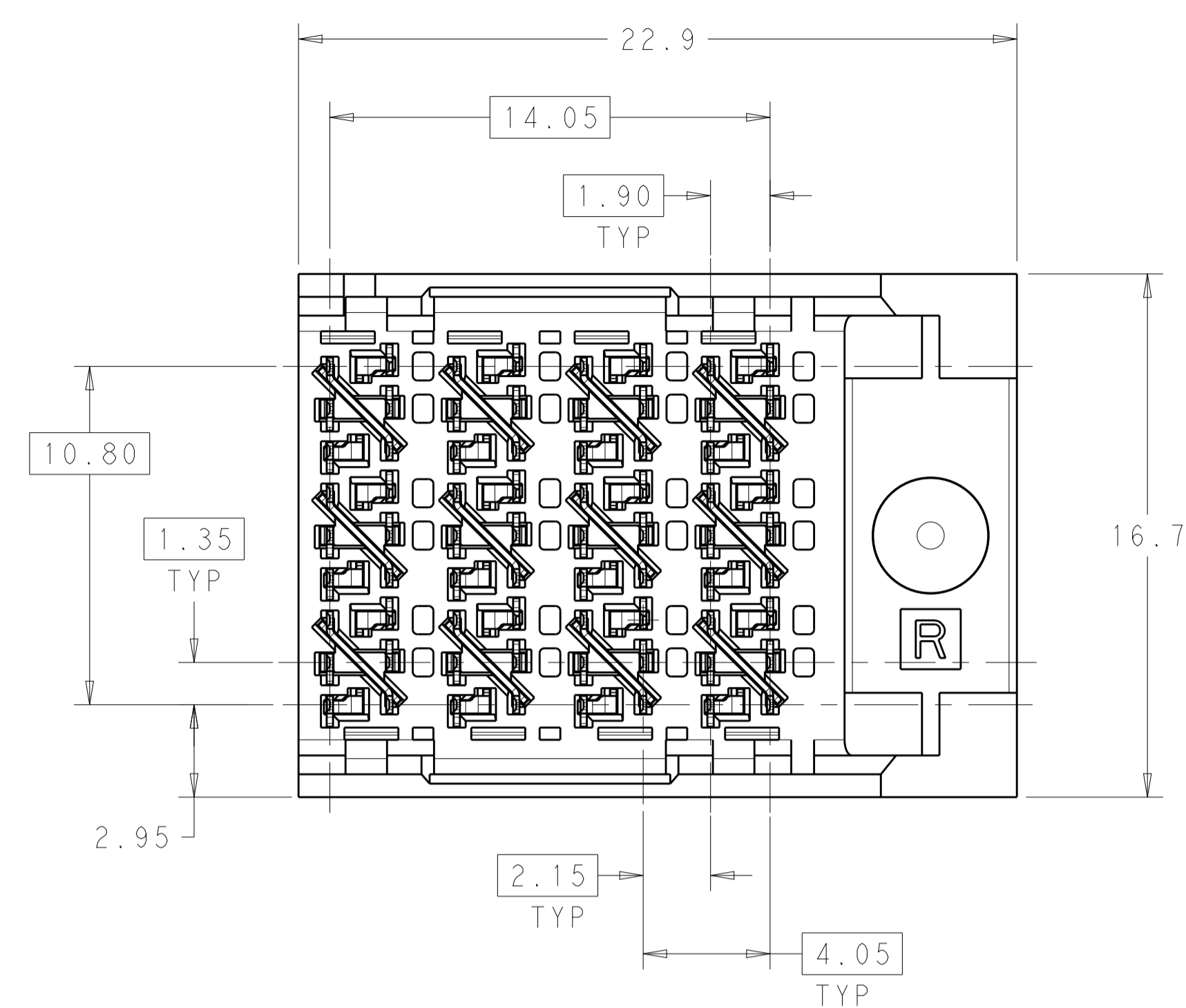
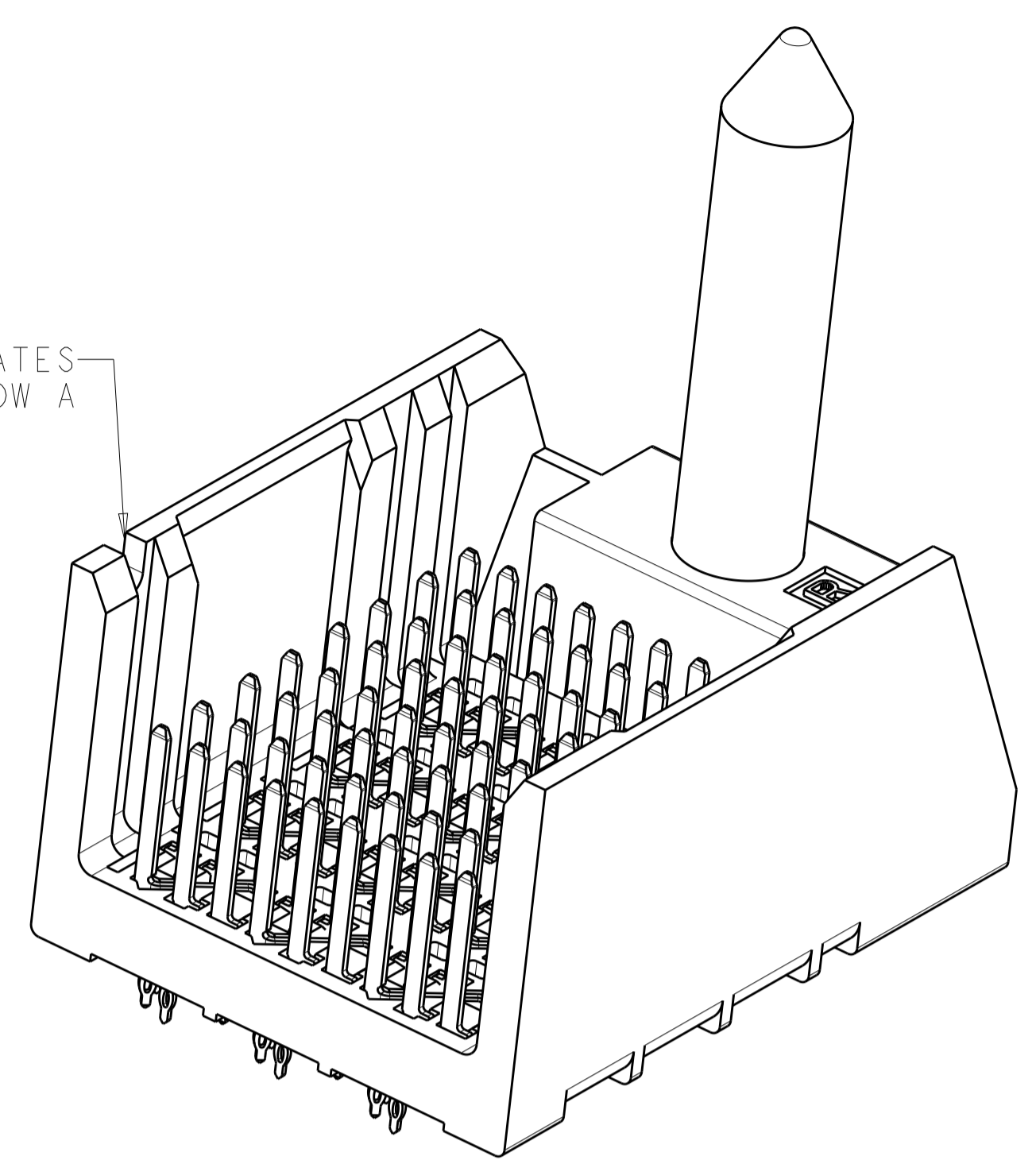


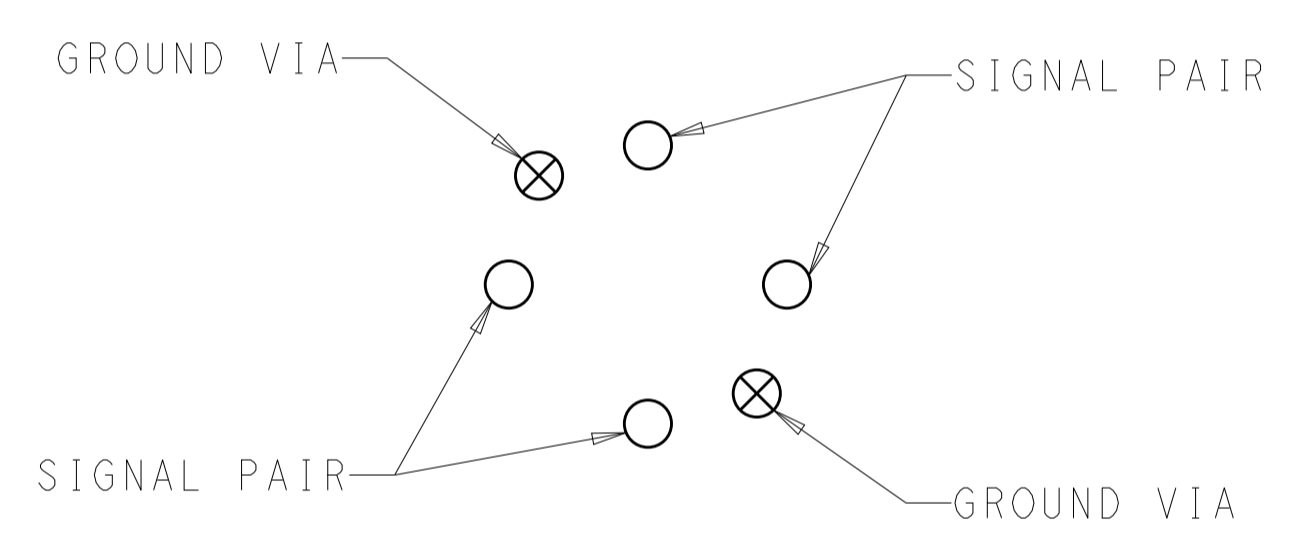
LOC		DIST		REVISONS			
AD	00	P	LTN	DESCRIPTION	DATE	DWN	APVD
		C1		REVISED PER ECO-15-001489	31JAN2015	AP	DD



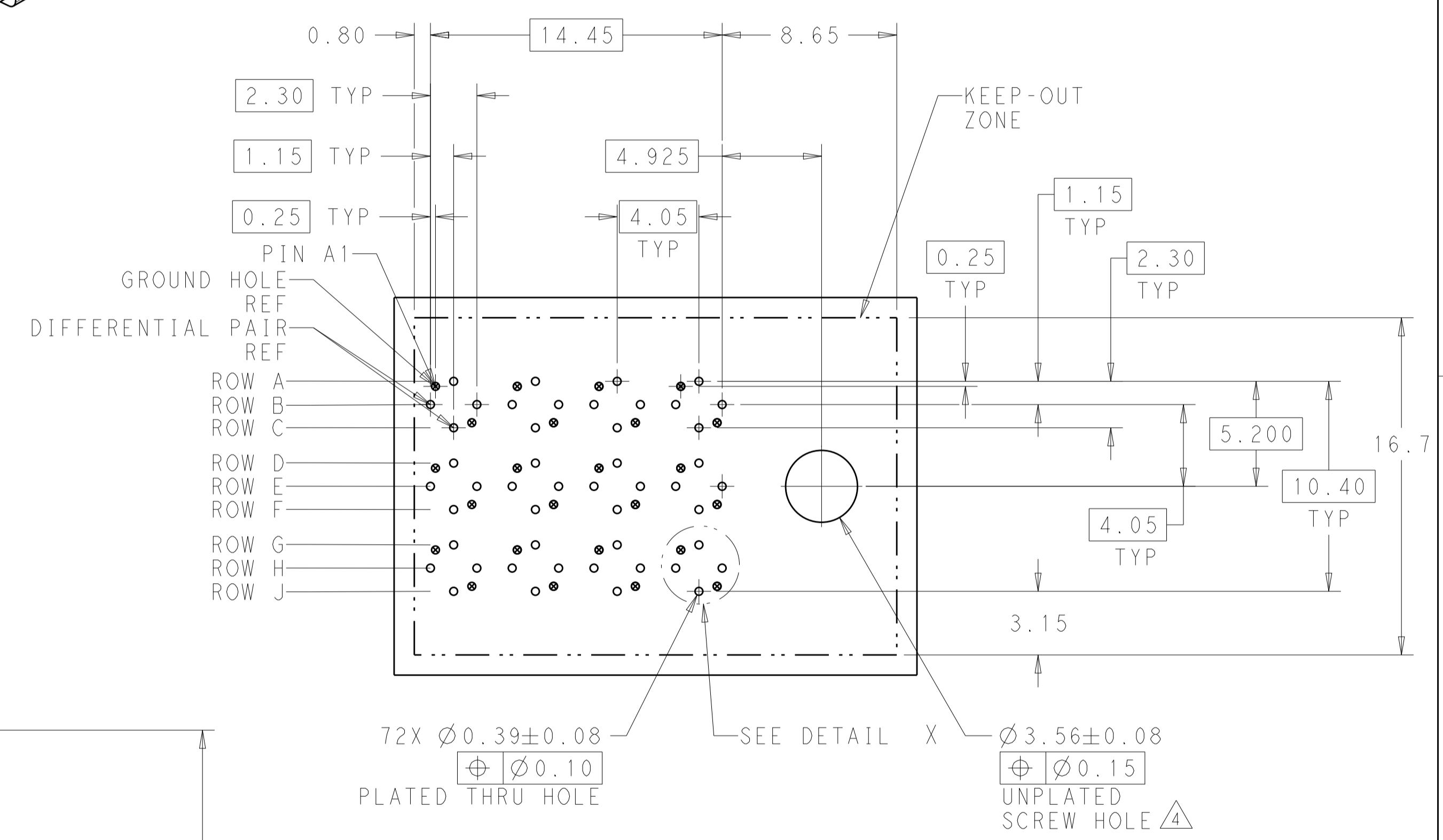
NOTCH DESIGNATES ROW A



- 1 MATERIAL:
HOUSING: LCP, GLASS FILLED, UL94V-0.
TERMINALS: HIGH PERFORMANCE COPPER ALLOY.
- 2 FINISH:
30μ" MIN GOLD IN CONTACT AREA. SELECTIVE TIN ON PCB TAILS, NICKEL OVERALL.
- 3. SCREWS PACKAGED IN END OF PACKAGING TUBE.
- 4 FOR GROUNDED GUIDE PIN USE $\varnothing 3.56 \pm 0.08$ PTH, $\varnothing 3.66$ DRILL, AND $\varnothing 6.5$ PAD.



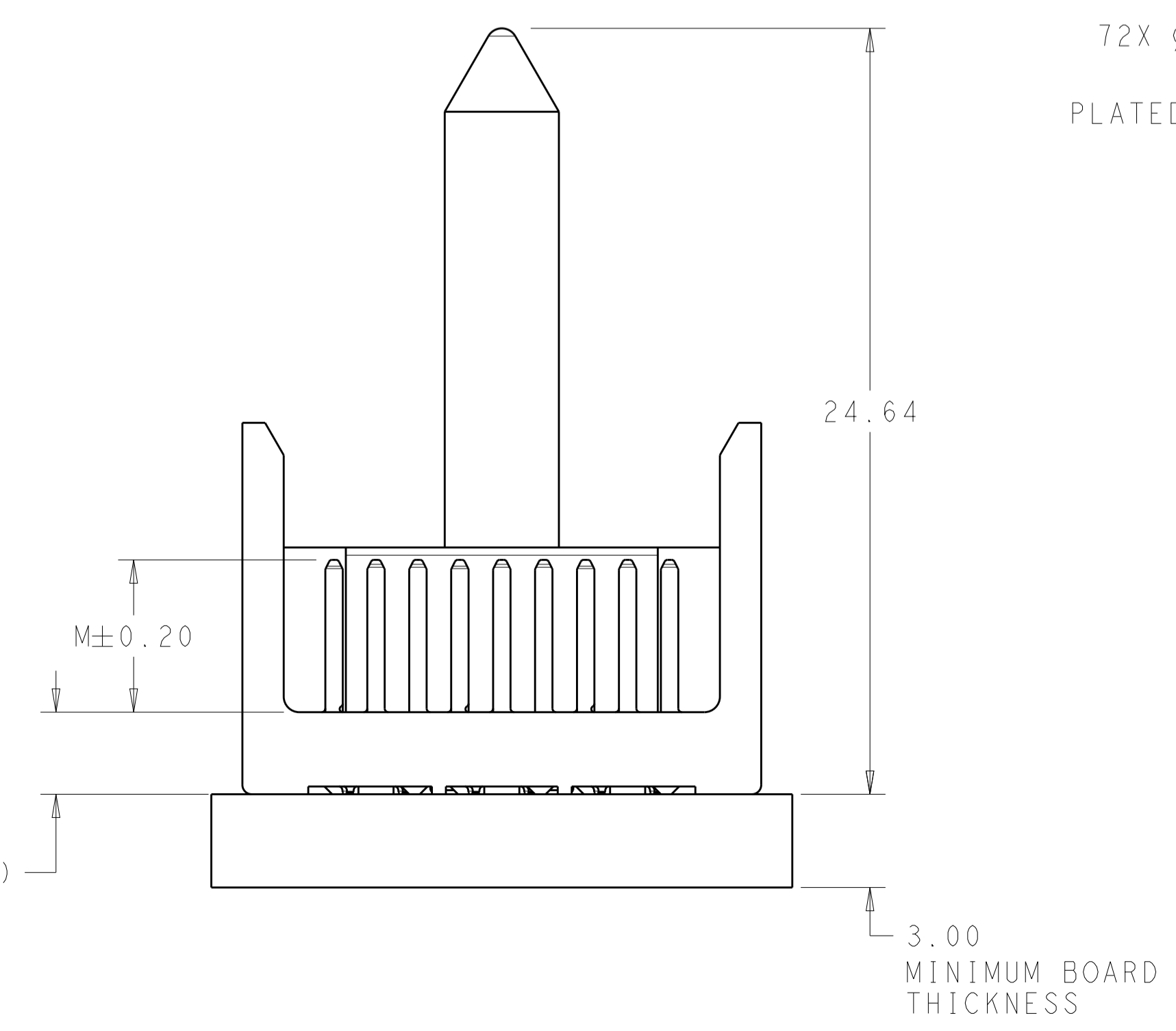
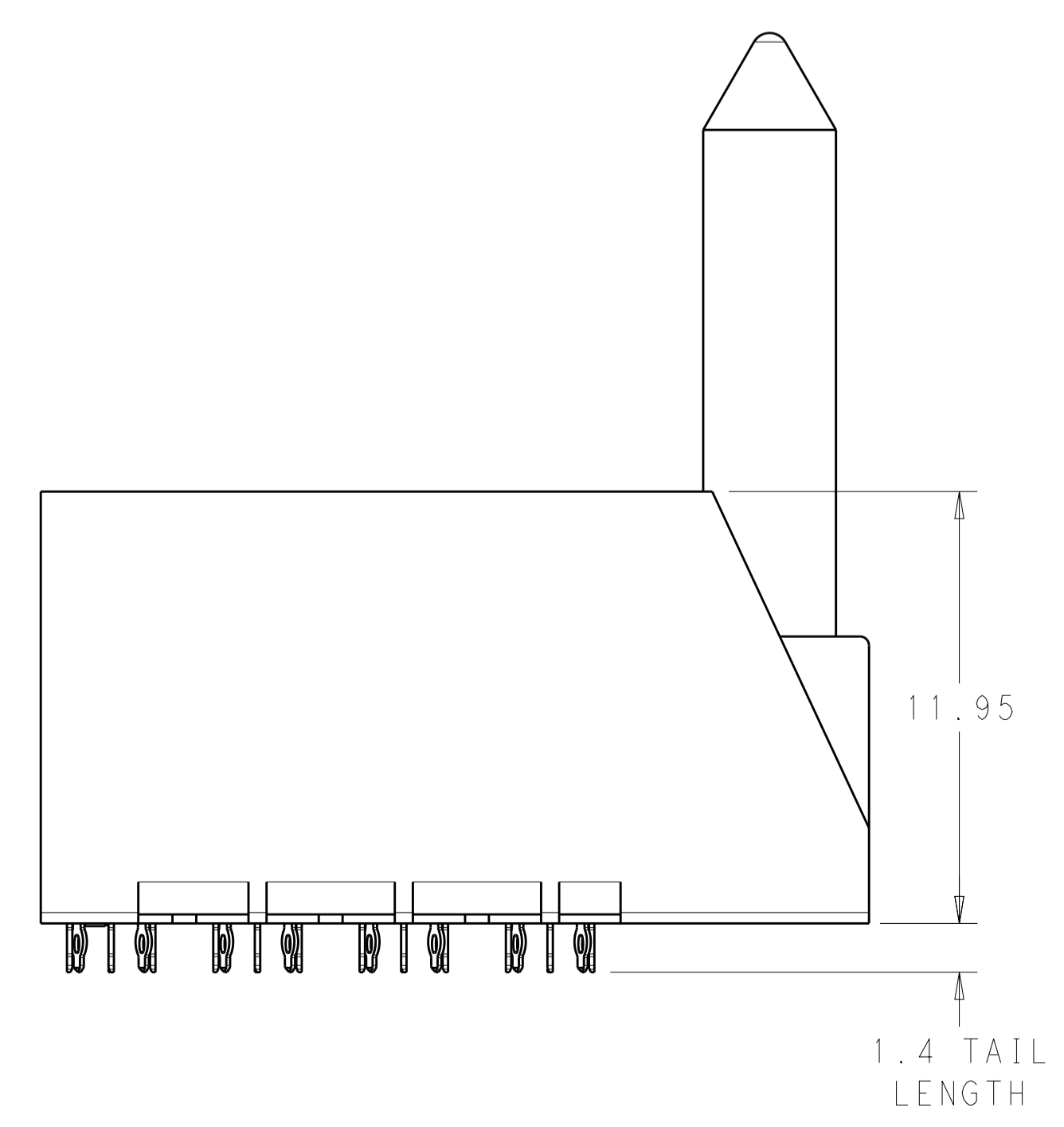
DETAIL X
SCALE 16:1



RIGHT GUIDED
BACKPLANE HOLE PATTERN
(CONNECTOR SIDE)

REFER TO WWW.TE.COM
FOR PRODUCT AVAILABILITY

2	5.5	2132579-2
2	4.9	2132579-1
FINISH	DIM M	PART NUMBER



THIS DRAWING IS A CONTROLLED DOCUMENT.

DIMENSIONS:	TOLERANCES UNLESS OTHERWISE SPECIFIED:	DWN B. CARBO 23NOV2011	NAME
mm	0 PLC ±0.25	CHK D.YI 23NOV2011	IMPACT, ORTHOGONAL, 3 PAIR, 8 COLUMN
	1 PLC ±0.13	APVD D.YI 23NOV2011	HEADER, RIGHT GUIDED, OPEN END WALL
	2 PLC ±0.10		SIGNAL MODULE, 0.39 PTH
	3 PLC ±0.08		SIZE CAGE CODE DRAWING NO RESTRICTED TO
	4 PLC ±0.07		A100779C=2132579
	ANGLES ±0.5		Customer Drawing
MATERIAL	FINISH SEE TABLE	WEIGHT	SCALE 6:1 SHEET 1 OF 1 REV C1