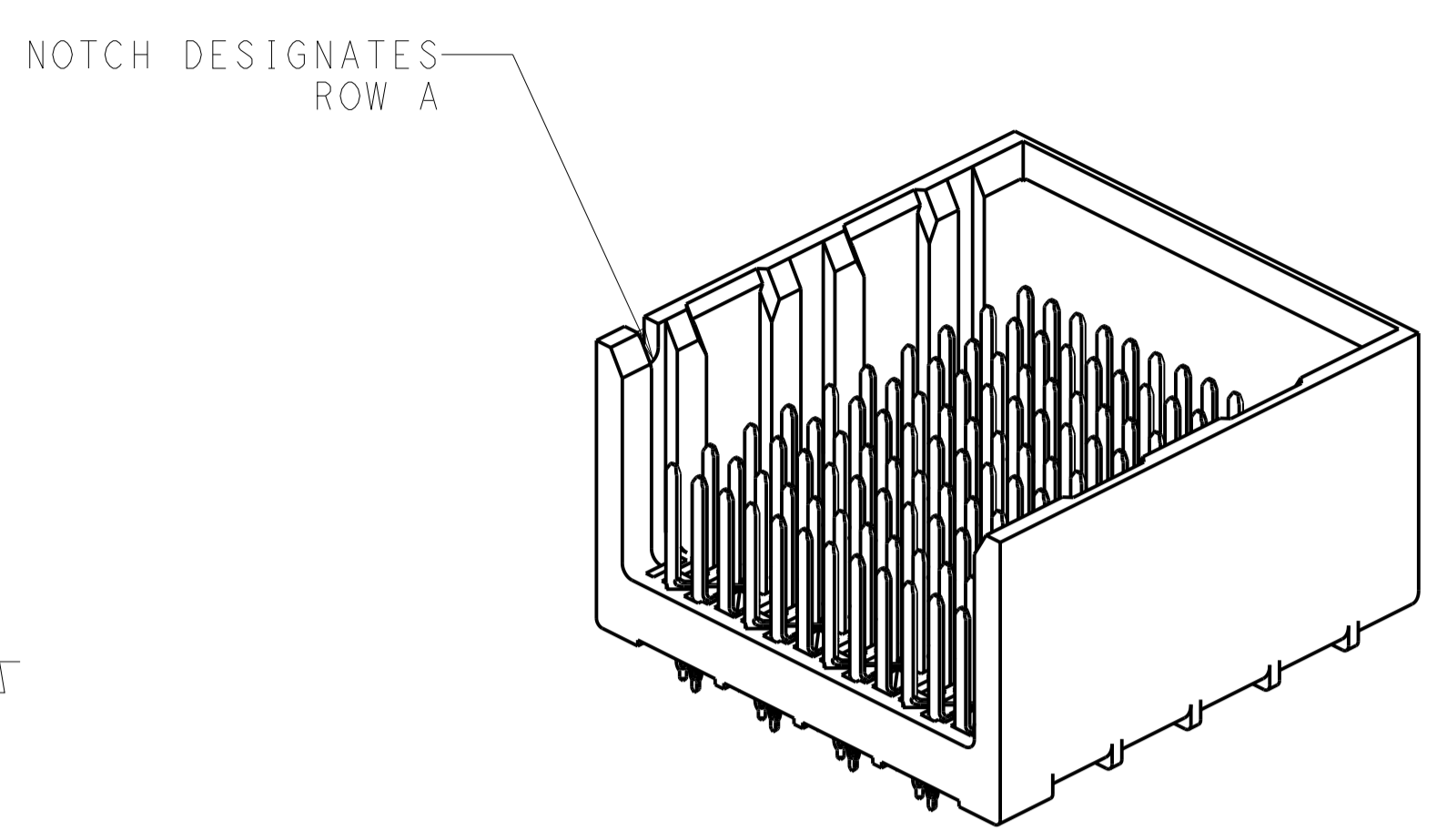
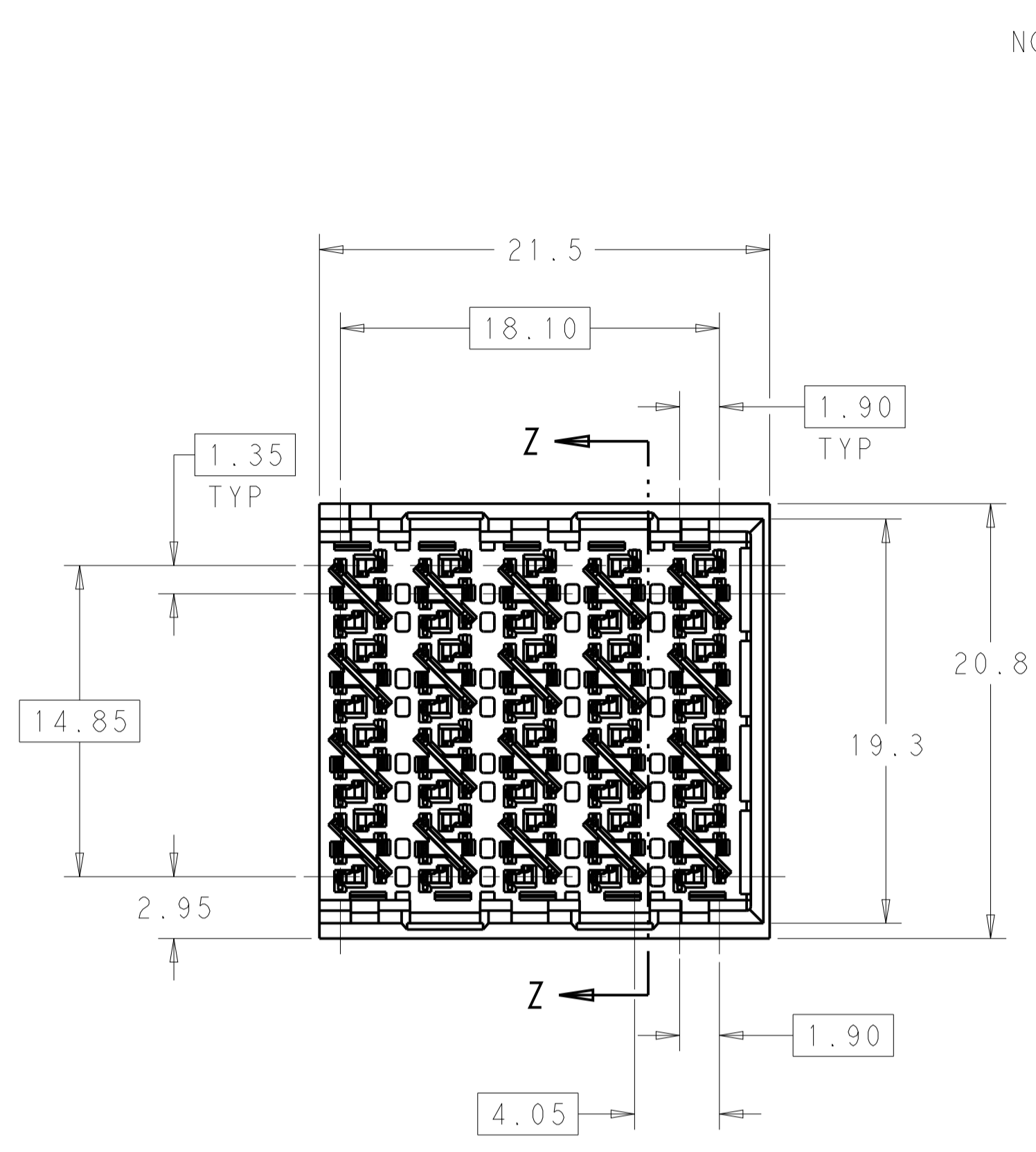
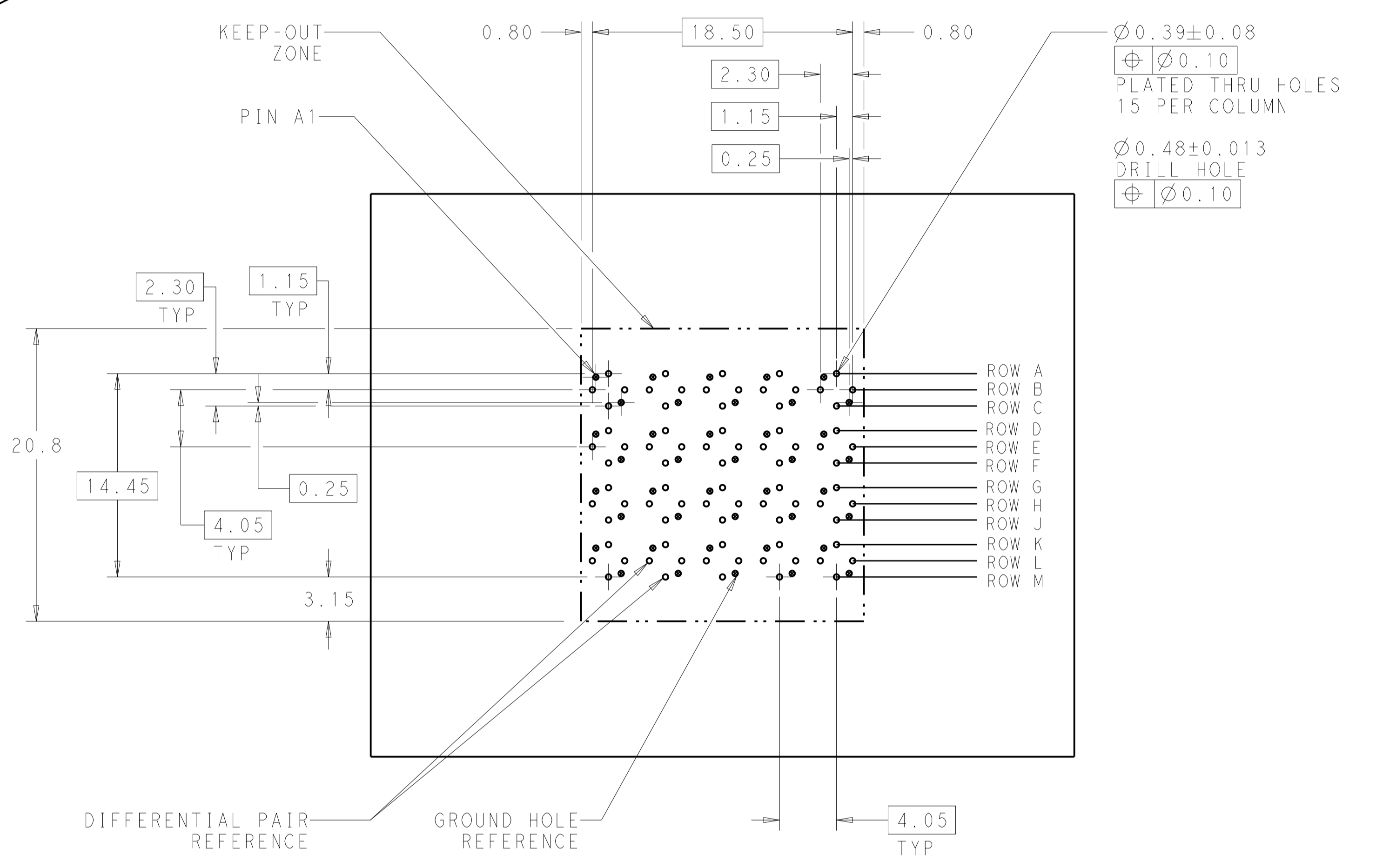


REVISIONS				
P.	LTN	DESCRIPTION	DATE	APVD
C		REVISED PER ECO-14-013271	08SEP2014	AP DD

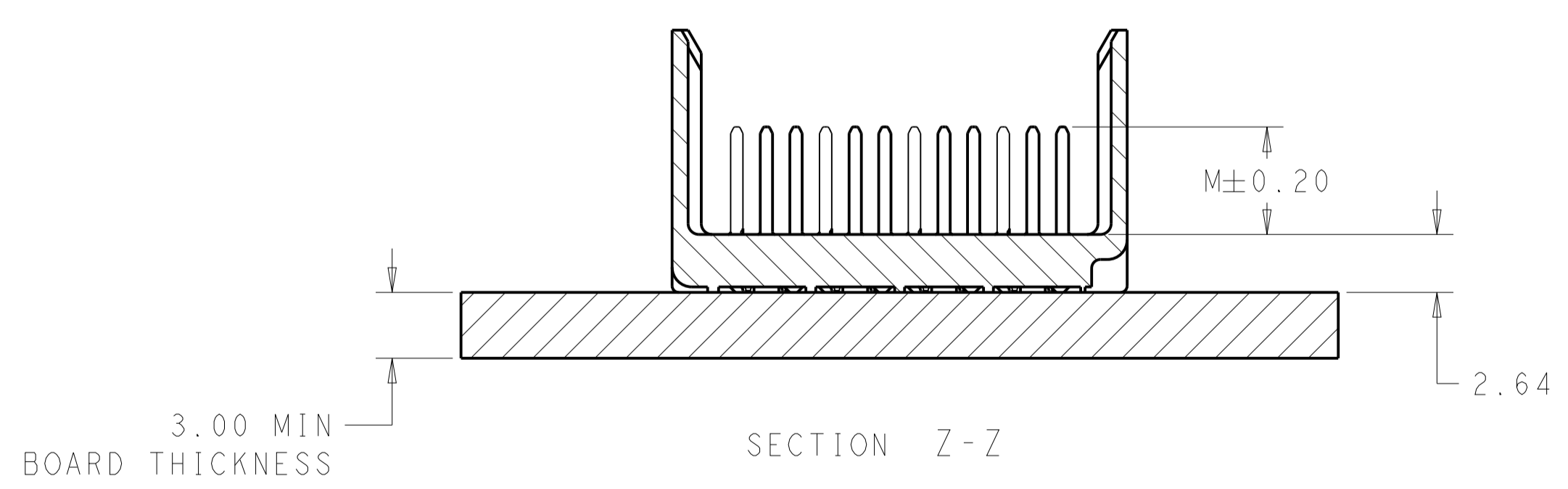
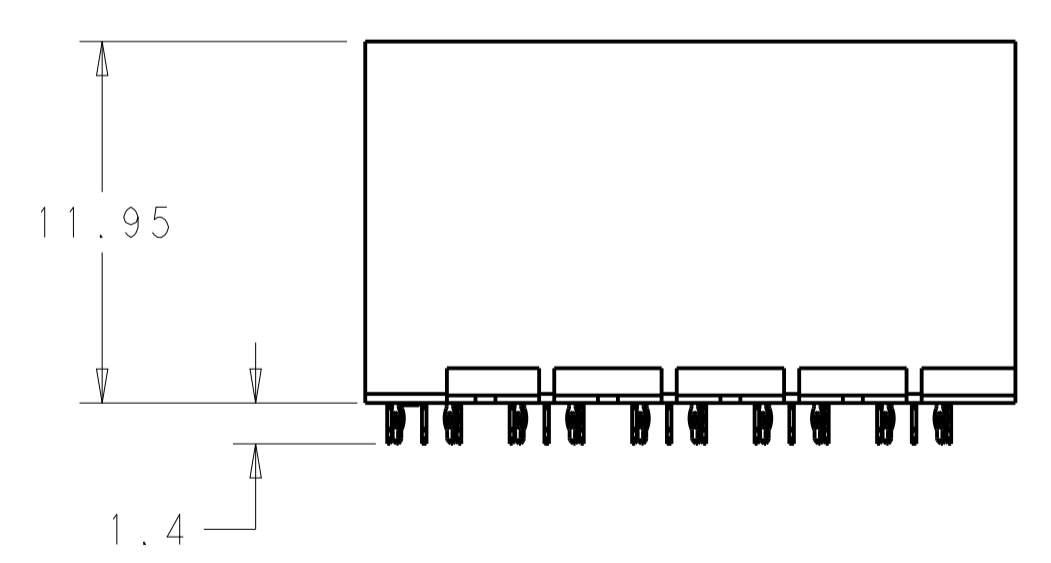


△ MATERIAL:
HOUSING: LCP GLASS FILLED UL94V-0
TERMINALS: HIGH PERFORMANCE COPPER ALLOY

△ FINISH:
30μ" MIN GOLD IN CONTACT AREA
SELECTIVE TIN ON PCB TAILS.
NICKEL OVERALL.



LEFT GUIDED
BACKPLANE HOLE PATTERN
(CONNECTOR SIDE)
SCALE 4:1



2	5.5	2132632-2
2	4.9	2132632-1
FINISH	DIM M	PART NUMBER

THIS DRAWING IS A CONTROLLED DOCUMENT.		DWN J. K. SHOBER 13SEPT2010	NAME	
DIMENSIONS:		CHK J. EARY 13SEPT2010	IMPACT, ORTHOGONAL, 4 PAIR 10 COLUMN	
mm		APVD J. EARY 13SEPT2010	UNGUIDED RIGHT END WALL,	
TOLERANCES UNLESS OTHERWISE SPECIFIED:		PRODUCT SPEC	HEADER ASSEMBLY, 0.39 PTH	
Ø		APPLICATION SPEC	SIZE CAGE CODE DRAWING NO RESTRICTED TO	
HOLE		WEIGHT	A100779C=2132632	
MATERIAL		Customer Drawing	SCALE 4:1 SHEET 1 OF 1 REV C	