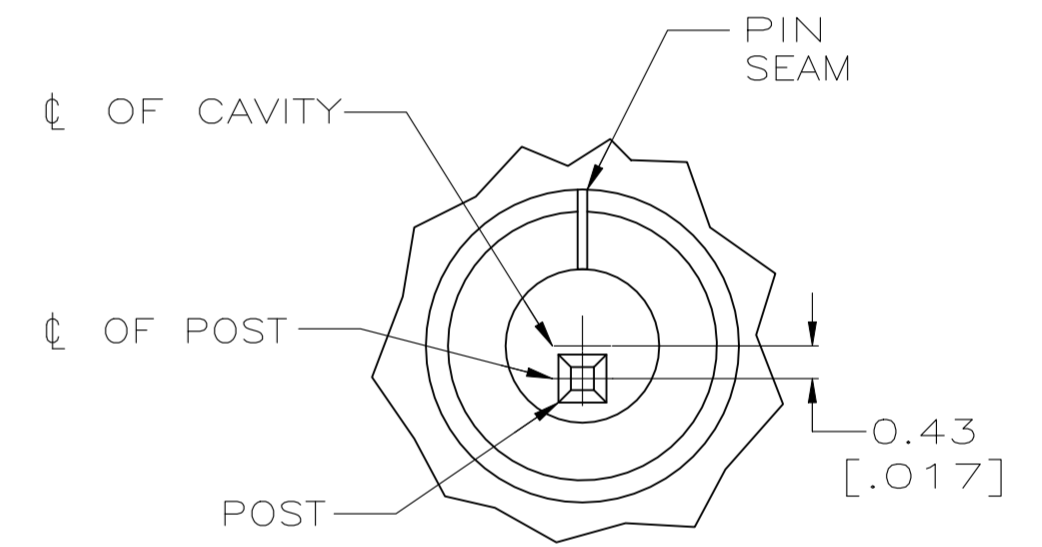
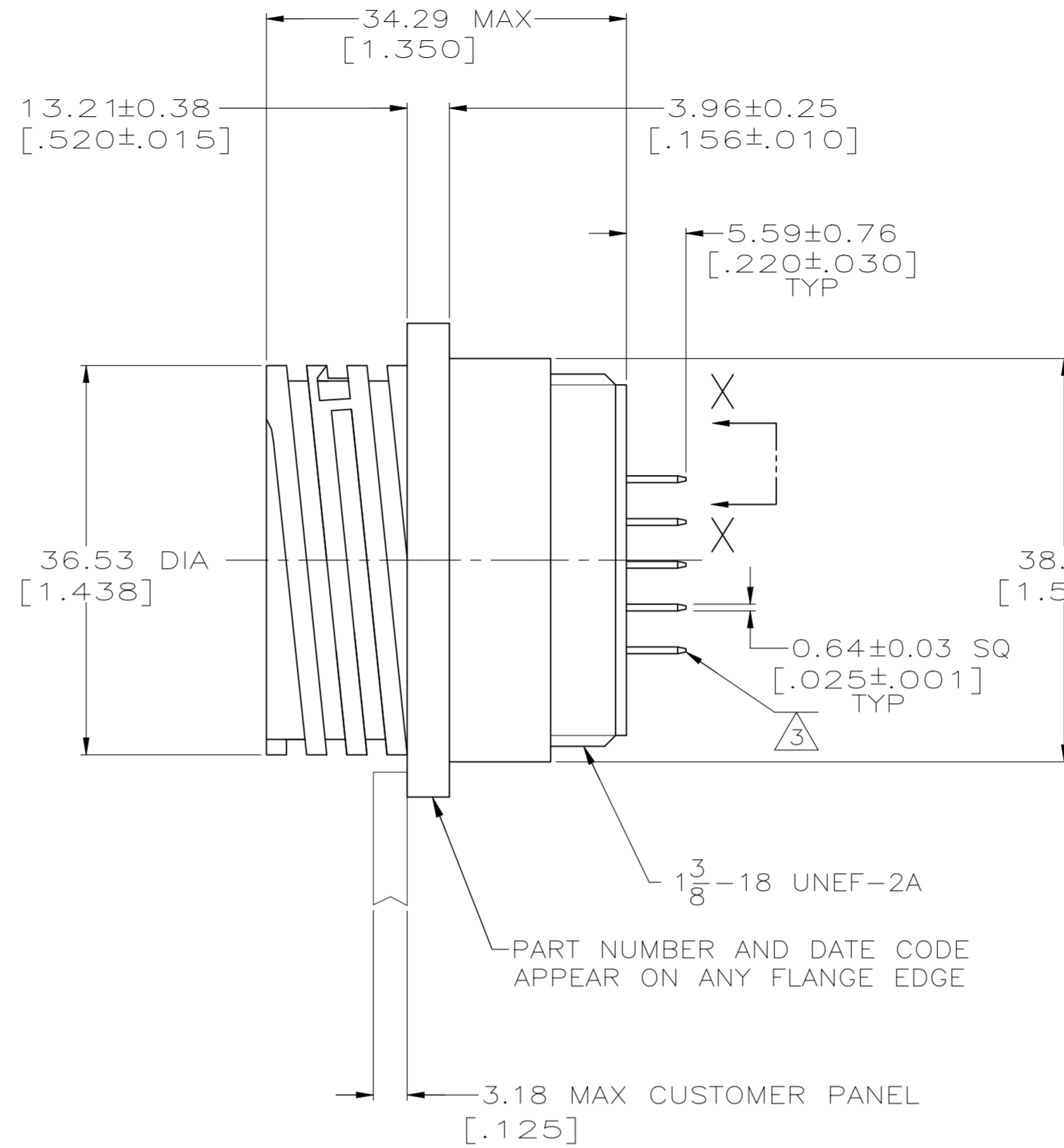
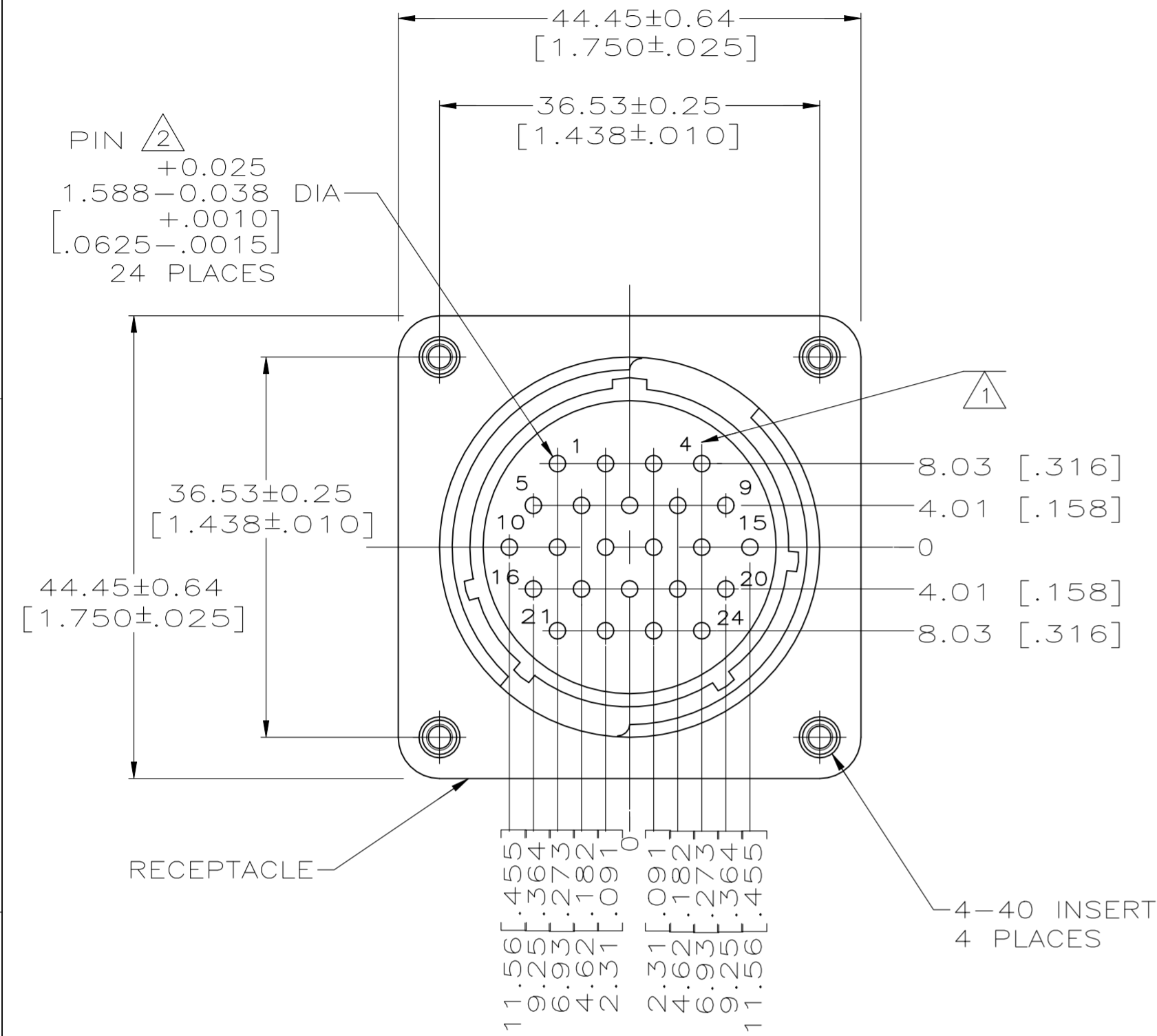
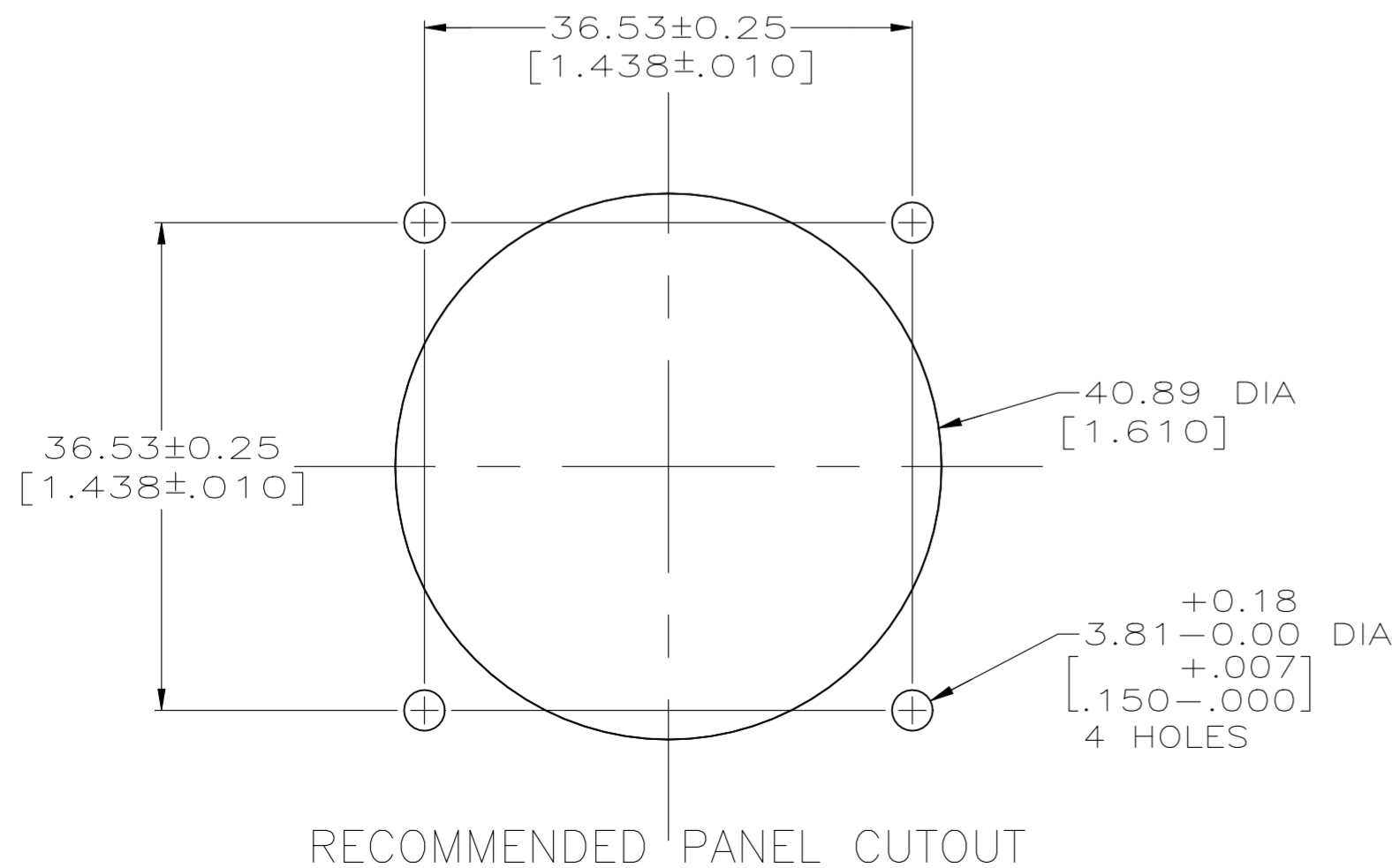


REVISIONS					
P	LTR	DESCRIPTION	DATE	DWN	APVD
C1		REVISED PER ECR-22-150475	26AUG2022	RK	MZ



VIEW X-X
TYPICAL
SCALE 10:1

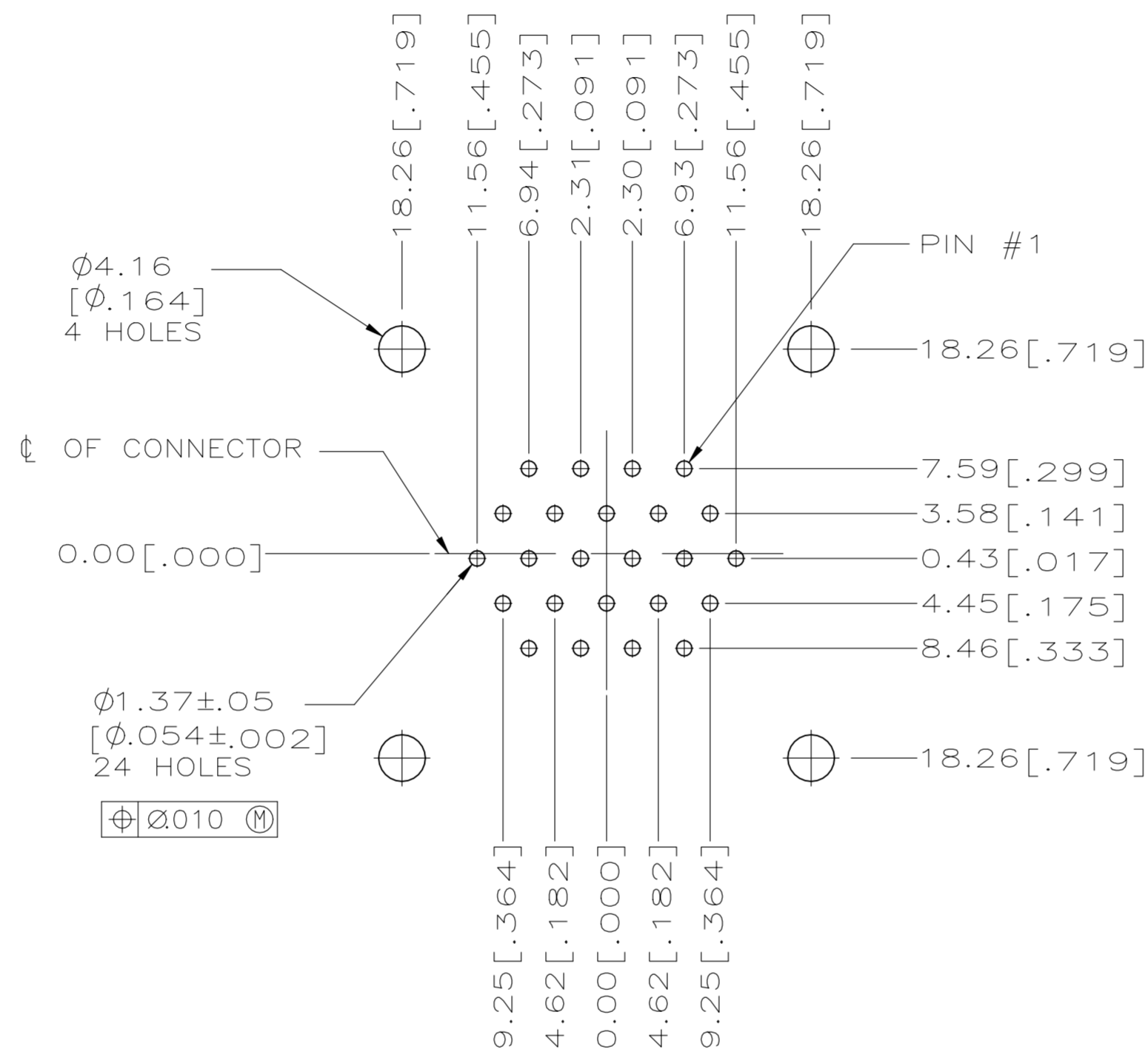


- Δ 1 CAVITY IDENTIFICATION CHARACTERS ON FRONT AND REAR FACE.
- Δ 2 1.27um [.000050] MIN TIN OVER NICKEL FLASH.
- Δ 3 2.54um [.000100] MIN TIN-LEAD OVER 2.54um [.000100] MIN COPPER ON THIS END.
- Δ 4 2.54um [.000100] MIN TIN OVER 2.54um [.000100] MIN COPPER ON THIS END.

OBsolete	Δ 4	213588-2
	Δ 3	213588-1
	POST FINISH	PART NUMBER

THIS DRAWING IS A CONTROLLED DOCUMENT.		DWN C DORWART	2-23-90	TE Connectivity Ltd.	
DIMENSIONS: mm [INCHES]		CHK -	APVD -	NAME RECEPTACLE ASSEMBLY, 23-24, STANDARD SEX, POSTED CONTACTS, CPC	
TOLERANCES UNLESS OTHERWISE SPECIFIED:		PRODUCT SPEC -	APPLICATION SPEC -	SIZE A2	CAGE CODE 00779
0 PLC ± - 1 PLC ± - 2 PLC ± 0.13[.005] 3 PLC ± - 4 PLC ± - ANGLES ± -		WEIGHT -	DRAWING NO C=213588	RESTRICTED TO -	
MATERIAL INSERT AND PIN: BRASS		FINISH -	CUSTOMER DRAWING	SCALE 2:1	SHEET 1 OF 2
				REV C1	

P	LTR	DESCRIPTION	DATE	DWN	APVD
-	-	SEE SHEET 1	-	-	-



RECOMMENDED P.C. BOARD LAYOUT

THIS DRAWING IS A CONTROLLED DOCUMENT.		DWN C DORWART	2-23-90	TE Connectivity Ltd.	
DIMENSIONS: mm [INCHES]		CHK -	APVD -		
		TOLERANCES UNLESS OTHERWISE SPECIFIED: 0 PLC ± - 1 PLC ± - 2 PLC ± 0.13 [.005] 3 PLC ± - 4 PLC ± - ANGLES ± -		PRODUCT SPEC -	RESTRICTED TO -
MATERIAL INSERT AND PIN: BRASS		FINISH -	WEIGHT -	SIZE A2 CAGE CODE 00779 DRAWING NO. C-213588	SCALE 2:1
CUSTOMER DRAWING			SHEET 2 OF 2	REV C1	