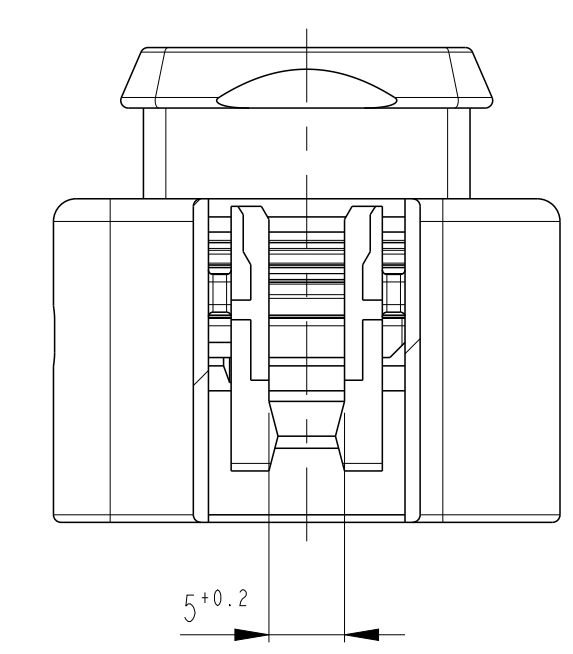
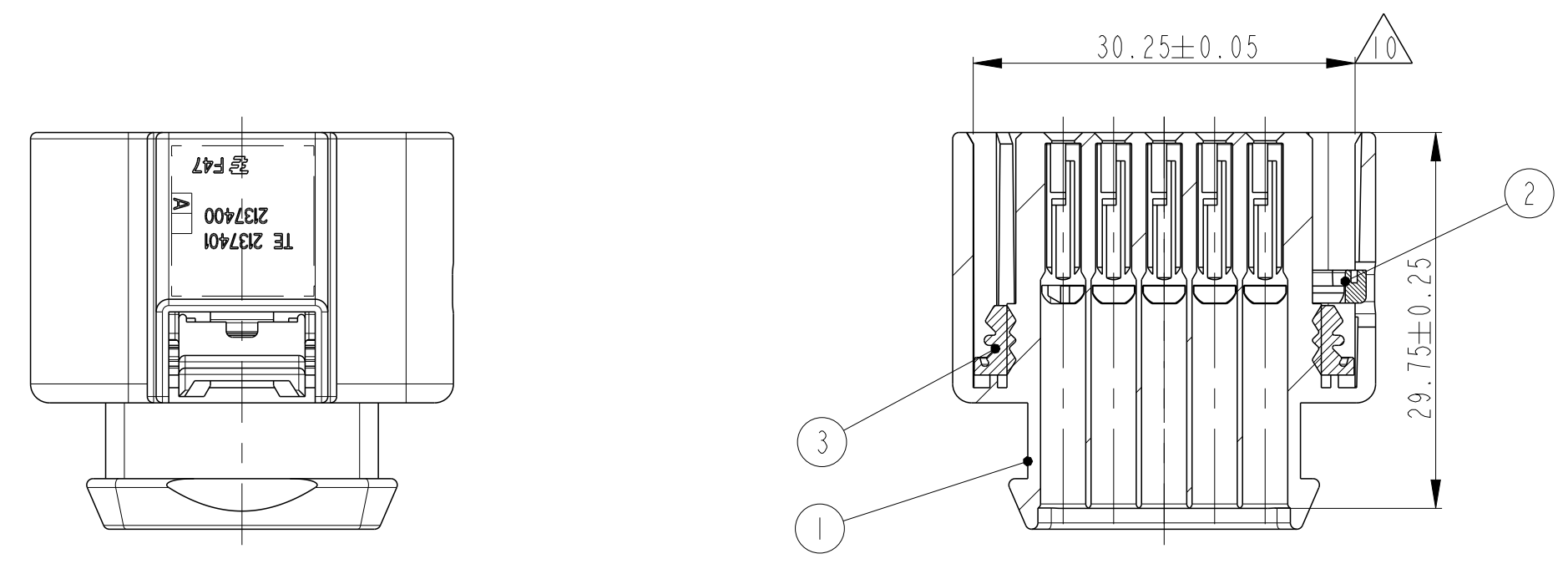


| LOC | DIST | REVISIONS | | | | | |
|-----|------|-----------|-----|------------------------|-----------|------|------|
| ES | 00 | P | LTN | DESCRIPTION | DATE | OWN | APVD |
| | | A | | RELEASE | 02DEC10 | E. X | I. Y |
| | | A1 | | ADD CODE ECR-13-018688 | 29NOV2013 | J. Z | I. Y |
| | | A2 | | ECR-22-161786 | 20DEC 22 | S. X | J. Z |
| | | A3 | | ECN-24-270386 | 19JUN2024 | SDT | J. Z |

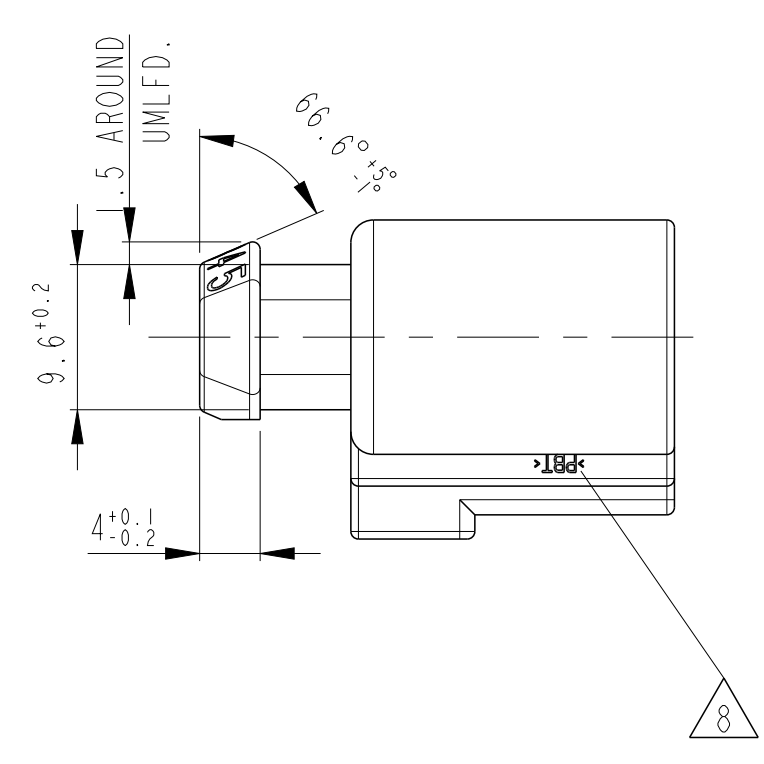
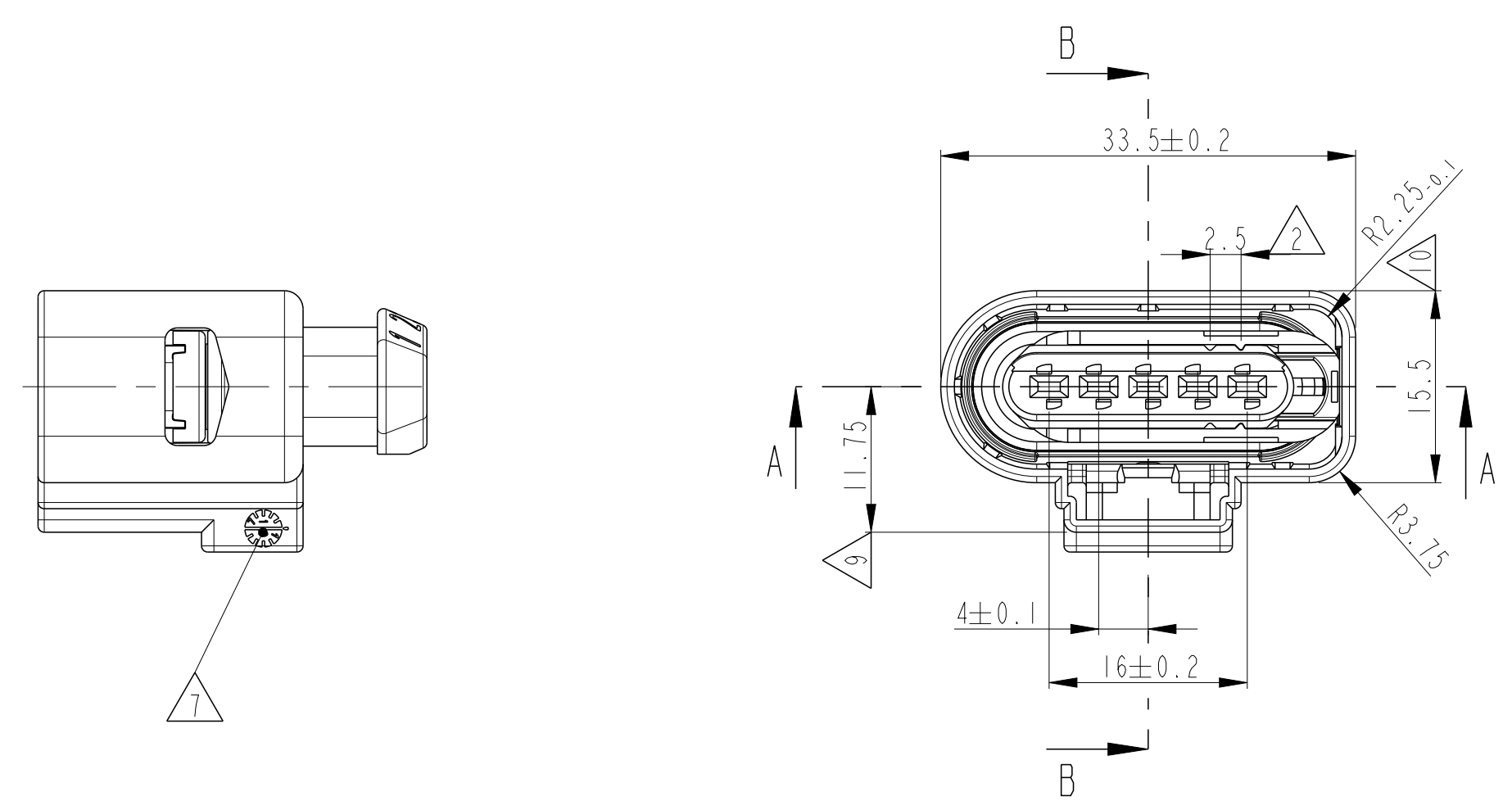
A-A

C-C

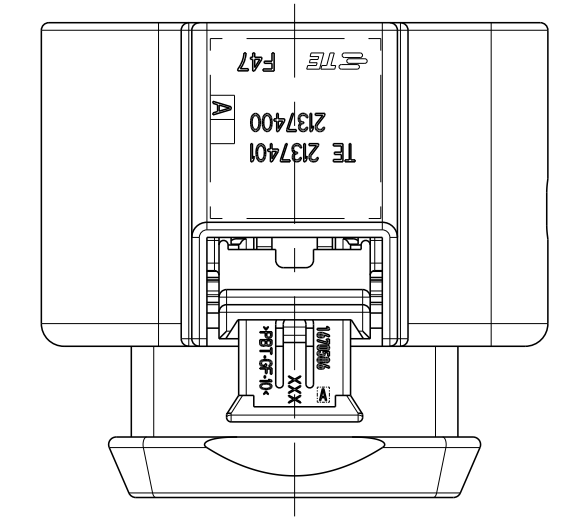
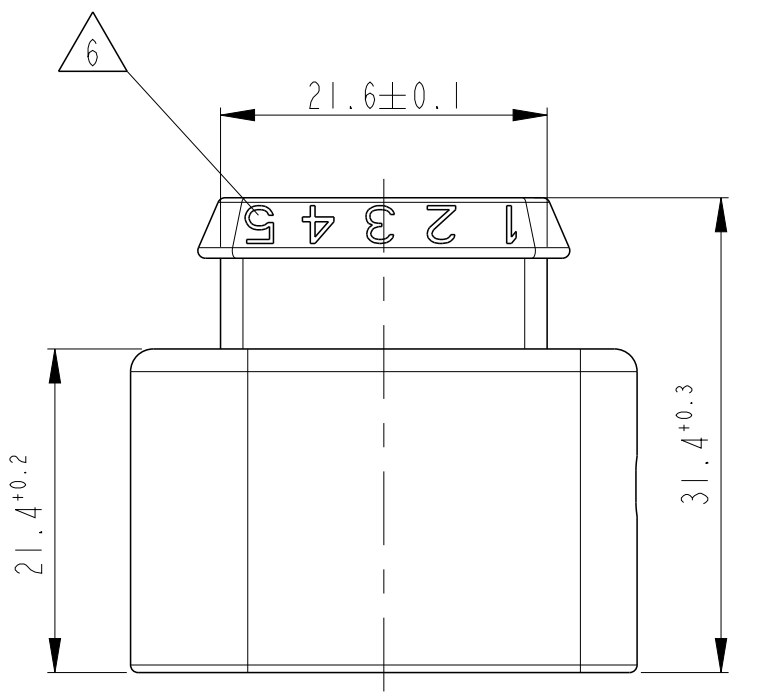
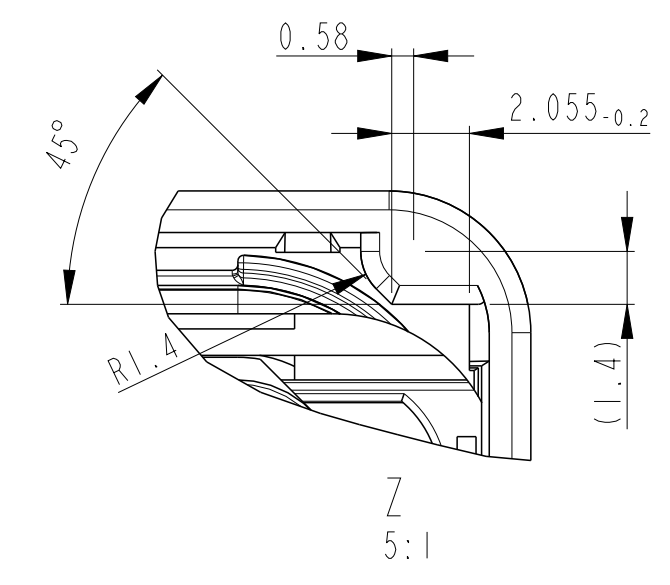
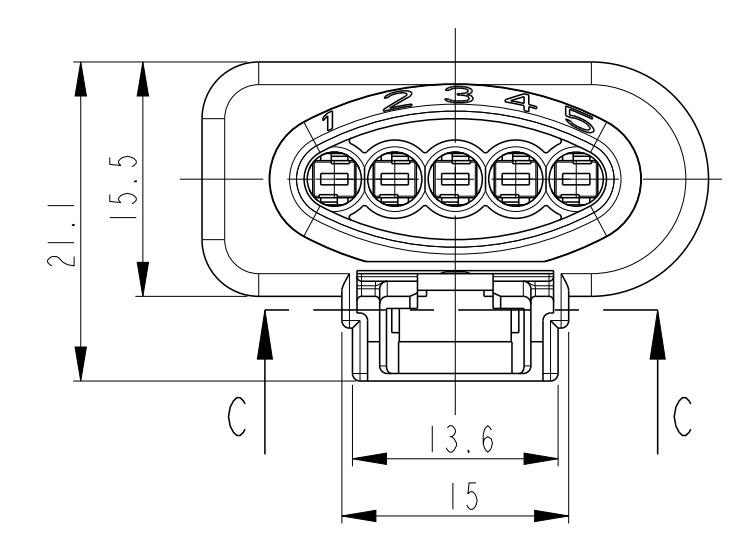
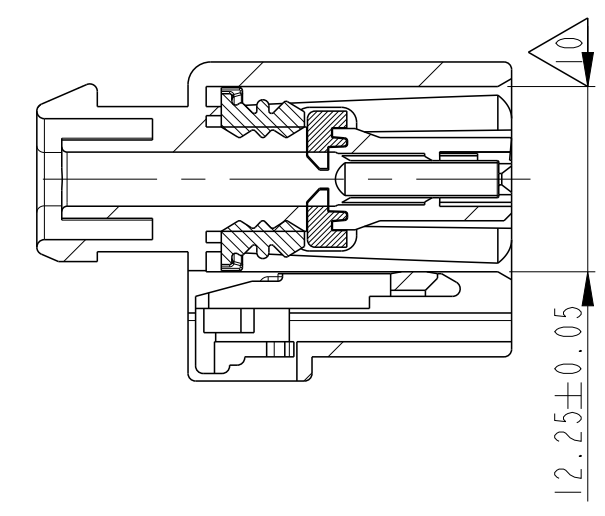


NOTES A3

- 1 THE PART 2137400-1 ASSEMBLED F.E. WITH CONTACT 1241380-1, AND WIRE SEALING 964972-1 WILL HAVE THE SUITABLE MATING PART 1-0969920-1
- 2 CONDITION AS SUPPLIED: RETAINER IN PRE-LOCKED POSITION, AFTER CONTACT LOADING TO DRIFT IN THIS DIRECTION (2.5mm)
- 3 BULK PACKAGED
- 4 WITHOUT CPA (CONNECTOR POSITION ASSURANCE)
- 5 WITH CPA
- 6 CONTACT CAVITY NUMBER
- 7 PRODUCTION-DATE
- 8 MATERIAL MARKING ACC. TO VDA 260
- 9 ALLOWED WARPAGE ±0.5

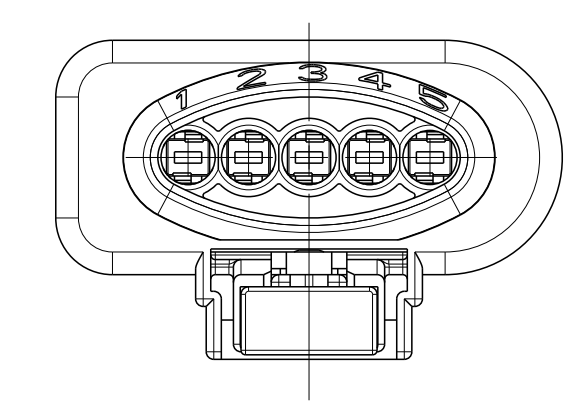
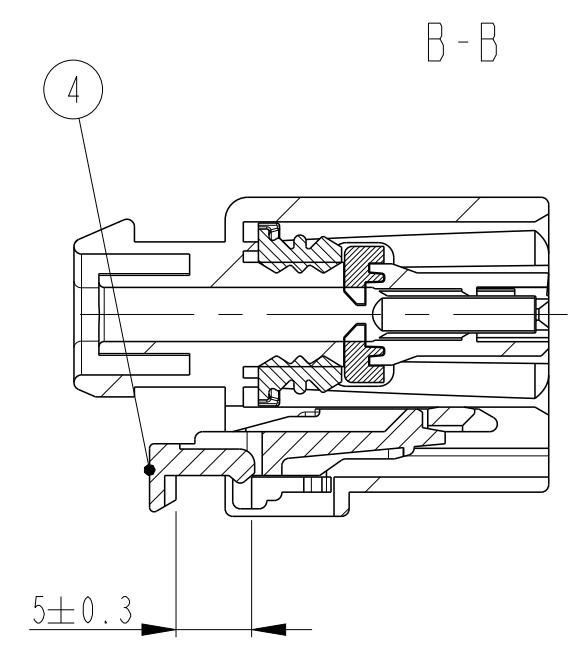
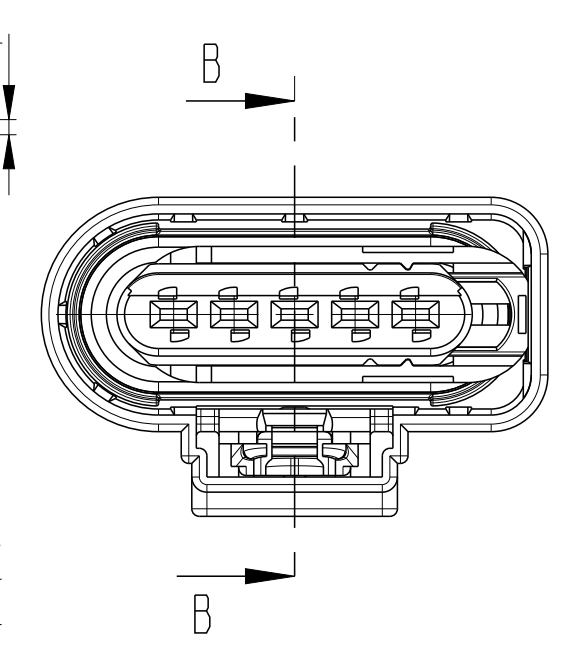
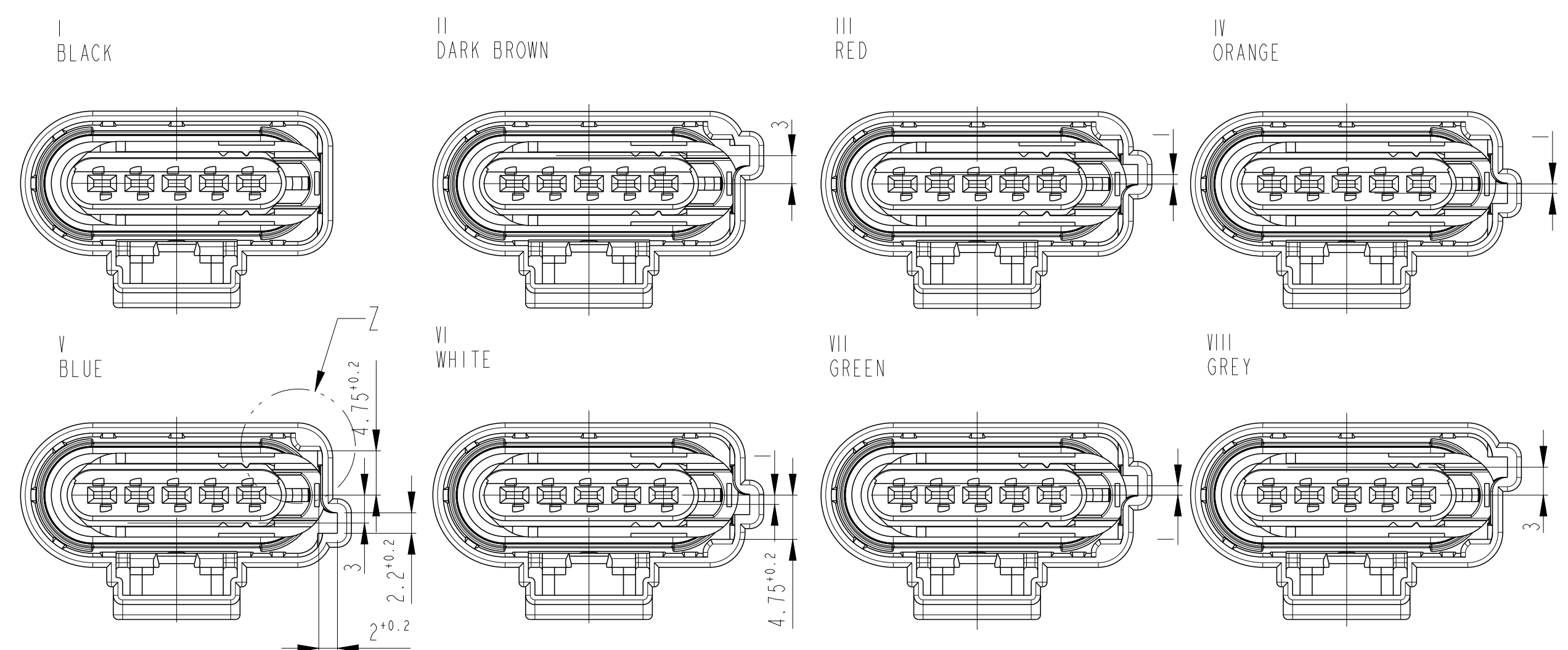


B-B



CODINGS

2:1



| REV | TE-NO | MATERIAL | COLOR | RAL-NO | DESCRIPTION | ITEM NO | |
|------|-------------|----------|----------|------------|-------------|------------------------------|---|
| VIII | 6-2137400-8 | A | PBT-GF10 | RED | 3003 | CPA, ... | 4 |
| | | | MVO | NATURAL | - | RADIAL SEAL ... | 3 |
| | | | PBT-GF10 | VIOLET | 4006 | RETAINER, ... | 2 |
| | | | PBT | GREY | 7036 | 5 POSITION, AMP MCPI.5K, ... | 1 |
| VII | 6-2137400-7 | A | PBT-GF10 | RED | 3003 | CPA, ... | 4 |
| | | | MVO | NATURAL | - | RADIAL SEAL ... | 3 |
| | | | PBT-GF10 | VIOLET | 4006 | RETAINER, ... | 2 |
| | | | PBT | GREEN | 6018 | 5 POSITION, AMP MCPI.5K, ... | 1 |
| VI | 6-2137400-6 | A | PBT-GF10 | RED | 3003 | CPA, ... | 4 |
| | | | MVO | NATURAL | - | RADIAL SEAL ... | 3 |
| | | | PBT-GF10 | VIOLET | 4006 | RETAINER, ... | 2 |
| | | | PBT | WHITE | 9010 | 5 POSITION, AMP MCPI.5K, ... | 1 |
| V | 6-2137400-5 | A | PBT-GF10 | RED | 3003 | CPA, ... | 4 |
| | | | MVO | NATURAL | - | RADIAL SEAL ... | 3 |
| | | | PBT-GF10 | VIOLET | 4006 | RETAINER, ... | 2 |
| | | | PBT | BLUE | 5012 | 5 POSITION, AMP MCPI.5K, ... | 1 |
| IV | 6-2137400-4 | A | PBT-GF10 | RED | 3003 | CPA, ... | 4 |
| | | | MVO | NATURAL | - | RADIAL SEAL ... | 3 |
| | | | PBT-GF10 | VIOLET | 4006 | RETAINER, ... | 2 |
| | | | PBT | ORANGE | 2003 | 5 POSITION, AMP MCPI.5K, ... | 1 |
| III | 6-2137400-3 | A | PBT-GF10 | RED | 3003 | CPA, ... | 4 |
| | | | MVO | NATURAL | - | RADIAL SEAL ... | 3 |
| | | | PBT-GF10 | VIOLET | 4006 | RETAINER, ... | 2 |
| | | | PBT | RED | 3003 | 5 POSITION, AMP MCPI.5K, ... | 1 |
| II | 6-2137400-2 | A | PBT-GF10 | RED | 3003 | CPA, ... | 4 |
| | | | MVO | NATURAL | - | RADIAL SEAL ... | 3 |
| | | | PBT-GF10 | VIOLET | 4006 | RETAINER, ... | 2 |
| | | | PBT | DARK BROWN | 8012 | 5 POSITION, AMP MCPI.5K, ... | 1 |
| I | 6-2137400-1 | A | PBT-GF10 | RED | 3003 | CPA, ... | 4 |
| | | | MVO | NATURAL | - | RADIAL SEAL ... | 3 |
| | | | PBT-GF10 | VIOLET | 4006 | RETAINER, ... | 2 |
| | | | PBT | BLACK | 9011 | 5 POSITION, AMP MCPI.5K, ... | 1 |
| VIII | 2137400-8 | A | PBT-GF10 | VIOLET | 4006 | RETAINER, ... | 2 |
| | | | PBT | GREY | 7036 | 5 POSITION, AMP MCPI.5K, ... | 1 |
| | | | MVO | NATURAL | - | RADIAL SEAL ... | 3 |
| | | | PBT | NATURAL | - | RADIAL SEAL ... | 3 |
| VII | 2137400-7 | A | PBT-GF10 | VIOLET | 4006 | RETAINER, ... | 2 |
| | | | PBT | GREEN | 6018 | 5 POSITION, AMP MCPI.5K, ... | 1 |
| | | | MVO | NATURAL | - | RADIAL SEAL ... | 3 |
| | | | PBT | NATURAL | - | RADIAL SEAL ... | 3 |
| VI | 2137400-6 | A | PBT-GF10 | VIOLET | 4006 | RETAINER, ... | 2 |
| | | | PBT | WHITE | 9010 | 5 POSITION, AMP MCPI.5K, ... | 1 |
| | | | MVO | NATURAL | - | RADIAL SEAL ... | 3 |
| | | | PBT | NATURAL | - | RADIAL SEAL ... | 3 |
| V | 2137400-5 | A | PBT-GF10 | VIOLET | 4006 | RETAINER, ... | 2 |
| | | | PBT | BLUE | 5012 | 5 POSITION, AMP MCPI.5K, ... | 1 |
| | | | MVO | NATURAL | - | RADIAL SEAL ... | 3 |
| | | | PBT | ORANGE | 2003 | 5 POSITION, AMP MCPI.5K, ... | 1 |
| III | 2137400-3 | A | PBT-GF10 | VIOLET | 4006 | RETAINER, ... | 2 |
| | | | MVO | NATURAL | - | RADIAL SEAL ... | 3 |
| | | | PBT-GF10 | VIOLET | 4006 | RETAINER, ... | 2 |
| | | | PBT | RED | 3003 | 5 POSITION, AMP MCPI.5K, ... | 1 |
| II | 2137400-2 | A | PBT-GF10 | VIOLET | 4006 | RETAINER, ... | 2 |
| | | | MVO | NATURAL | - | RADIAL SEAL ... | 3 |
| | | | PBT-GF10 | VIOLET | 4006 | RETAINER, ... | 2 |
| | | | PBT | DARK BROWN | 8012 | 5 POSITION, AMP MCPI.5K, ... | 1 |
| I | 2137400-1 | A | PBT-GF10 | VIOLET | 4006 | RETAINER, ... | 2 |
| | | | MVO | NATURAL | - | RADIAL SEAL ... | 3 |
| | | | PBT-GF10 | VIOLET | 4006 | RETAINER, ... | 2 |
| | | | PBT | BLACK | 9011 | 5 POSITION, AMP MCPI.5K, ... | 1 |

| | | | | | |
|--------------------|--|---|--|--|--|
| DIMENSIONS: mm | | TOLERANCES UNLESS OTHERWISE SPECIFIED: PLX ±0.10 PFC ±0.15 S ±0.10 PLX ±0.10 DIM ±0.10 FINISH * | | DWN E. X 08-Dec-10 CHK R. DONG 08-Dec-10 APVD J. YIN 08-Dec-10 | Tyco Electronics Shanghai China |
| MATERIAL: S.TAB. | | FINISH: S.TAB. | | WEIGHT: - Customer Drawing | NAME: 5 POS., AMP MCPI.5K, RECEPTACLE HSG 5 POS., AMP MCPI.5K, RECEPTACLE HSG SIZE: A1 CAGE CODE: - DRAWING NO: C=2137400 RESTRICTED TO: - SCALE: 2:1 SHEET 1 OF 1 REV: A3 |