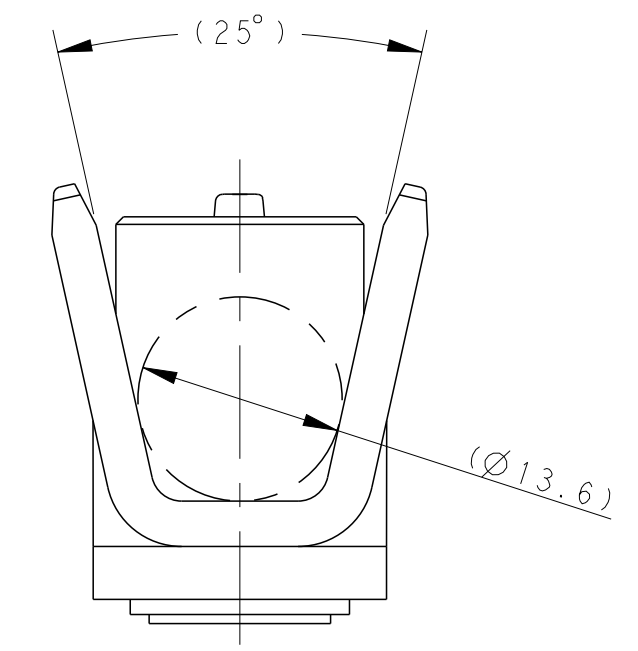
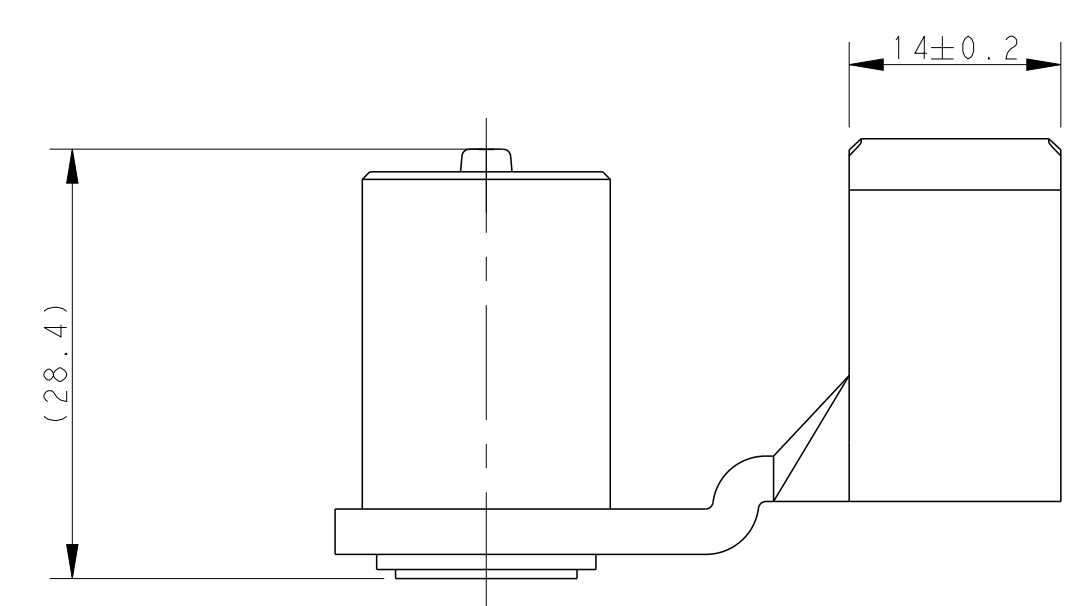
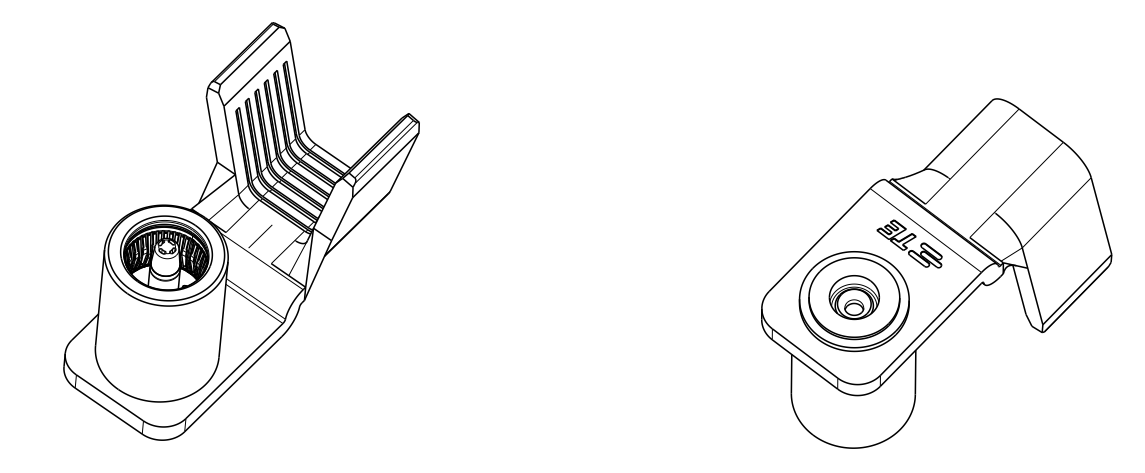
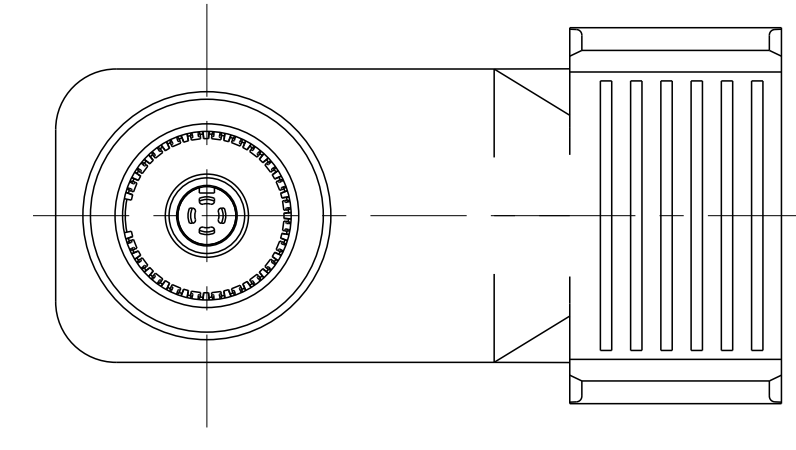
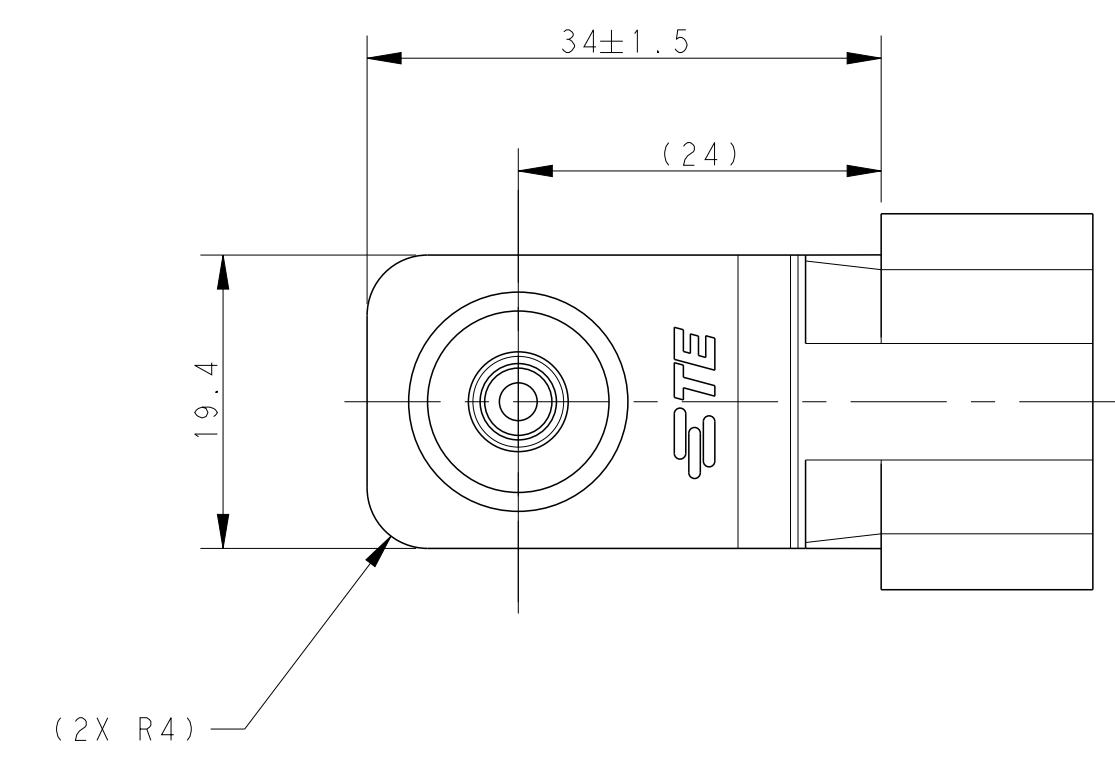


REVISIONS				
P	LTR	DESCRIPTION	DATE	APVD
B		REVISED ECO-16-010873	15DEC15	JL JY
B1		REVISED ECO-16-011243	14SEP16	JL JY
B2		REVISED ECO-18-002914	27FEB18	DD EJ
C		REVISED ECO-18-010787	14AUG18	DD EJ



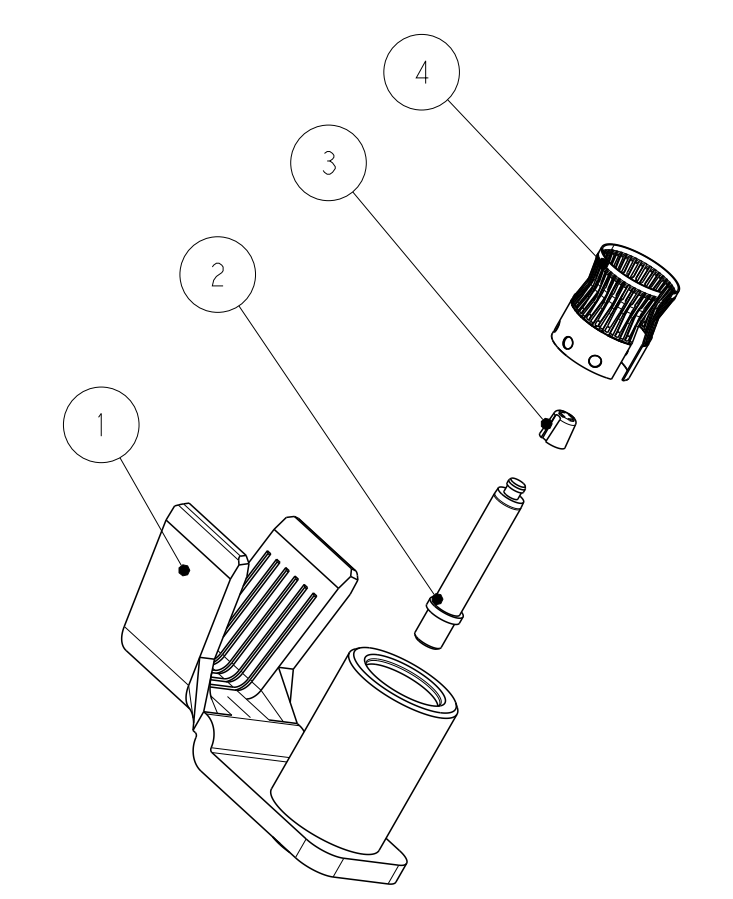
NOTES:

- 1 SURFACE MUST BE SMOOTH AND FREE FROM ANY CRACKS, BLISTERS, GROVES, BURRS, TURNINGS, SCRATCHES, DISCOLORATION, MARKINGS, OTHER MATERIAL, GREASE AND OIL MISCELLANEOUS
- 2 MATED WITH Ø11mm PIN P/N:2137742 -1/ -2
- 3 IN HOUSING OF CONNECTOR P/N:2137703 -1
- 4 PACKAGING: FOLDING BOX.
- 5 SEDIMENTS OF ASSEMBLY PROCESS (WEARANCE, LUBRICANT, LIQUID, DIRT) ON COMPONENTS NOT ALLOWED.
- 6 PART WITH OTHER WIRE RANGES MUST BE PROCESSABLE WITH SAME ASSEMBLY EQUIPMENT.



1	1	1	1	-	-	2137721-1	SPRING 11MM	Ag/Ni PLATED	4
1	-	1	-	-	-	1-2137720-1	PROTECTION PIN CAP V0	NA	3
-	1	-	1	-	-	2137720-1	PROTECTION PIN CAP		
1	1	1	1	-	-	2137719-1	PROTECTION PIN	NICKEL PLATED	2
1	1	1	1	70	2	2137716-2	TERMINAL GRIP ASSY.	Ag/Ni PLATED	1
-	-	-	-	50	1	2137716-1	TERMINAL GRIP ASSY.		1
-	-	-	-	35					
1-2137715-3	-3	1-2137715-2	-2	FOR WIRE SIZE [mm ²]	GRID CODE	TE PART NO.	DESCRIPTION	PLATING	ITEM

(C) (C) (C) OBSOLETE



THIS DRAWING IS A CONTROLLED DOCUMENT.		OWN: ZL_YU 08NOV11	TE Connectivity
DIMENSIONS: mm		CHK: N_ZHOU 08NOV11	
TOLERANCES UNLESS OTHERWISE SPECIFIED: ±0.4		APVD: K_QDA 08NOV11	NAME: TERMINAL ASSY 90DEG 11mm
0-PLC # 1-PLC # 2-PLC # 3-PLC # 4-PLC # ANGLES # FINISH #1*		PRODUCT SPEC	SIZE: CAGE CODE: DRAWING NO: RESTRICTED TO:
MATERIAL:		APPLICATION SPEC	A100779C=2137715
CUSTOMER DRAWING		SCALE: 2:1	SHEET 1 OF 1 REV C