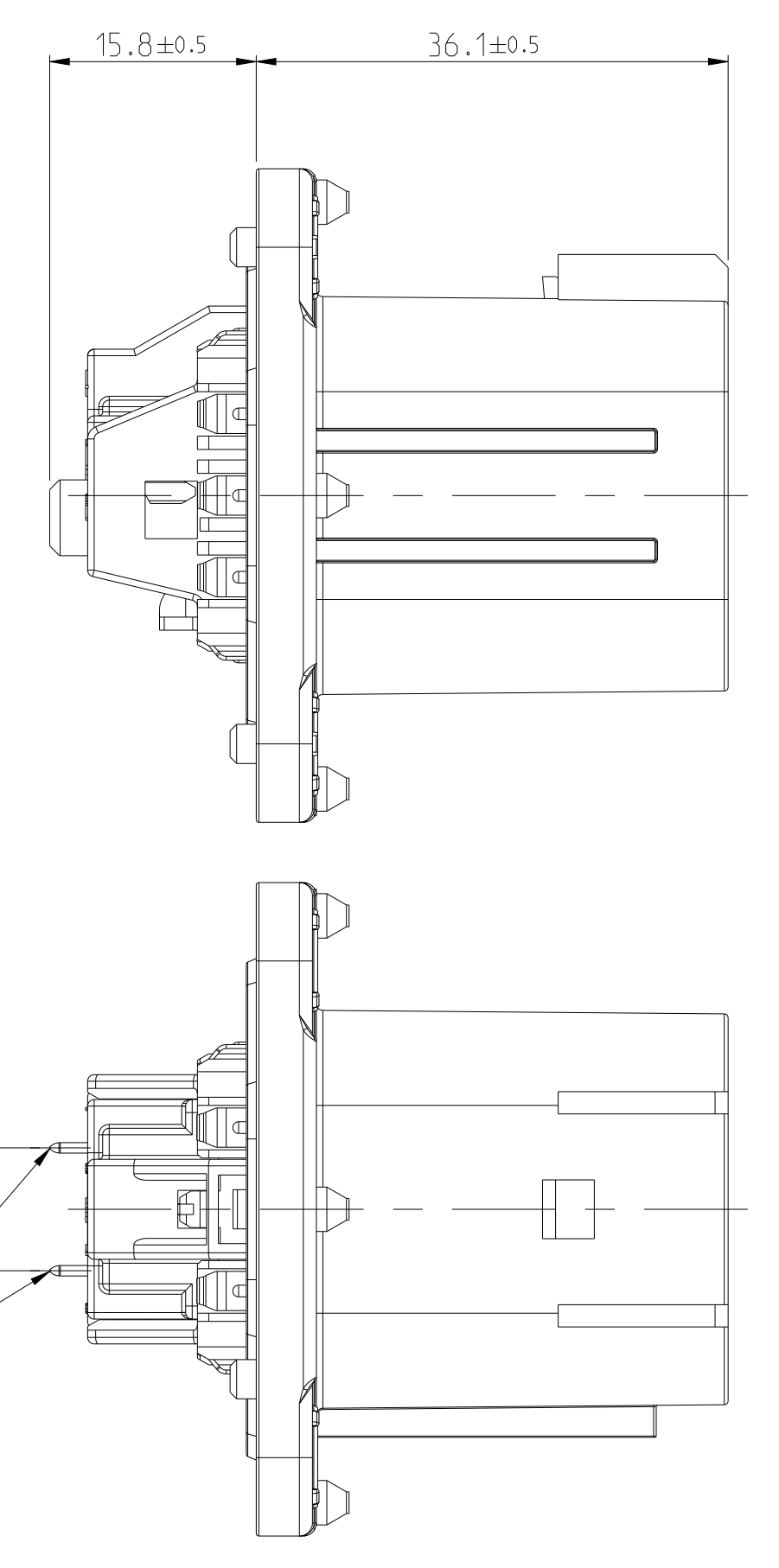
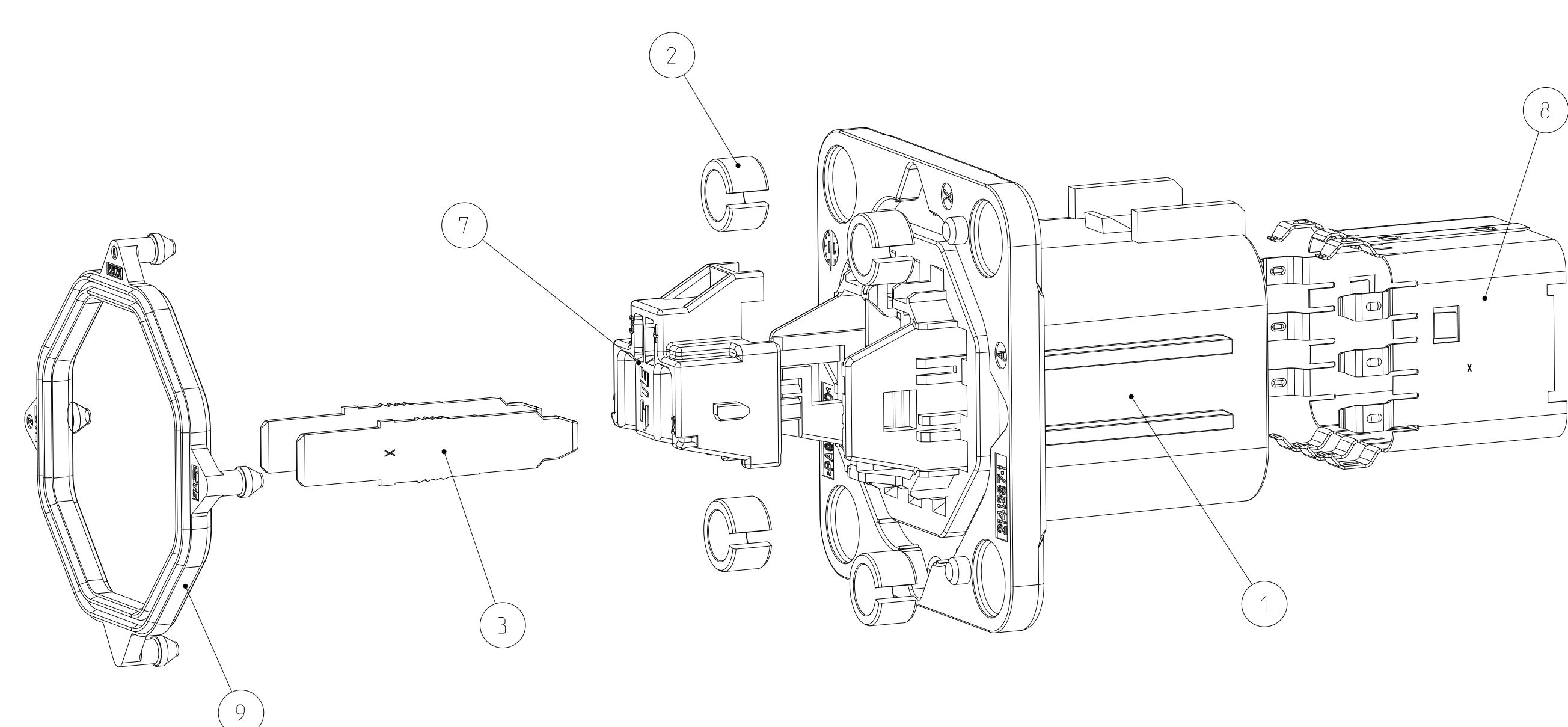
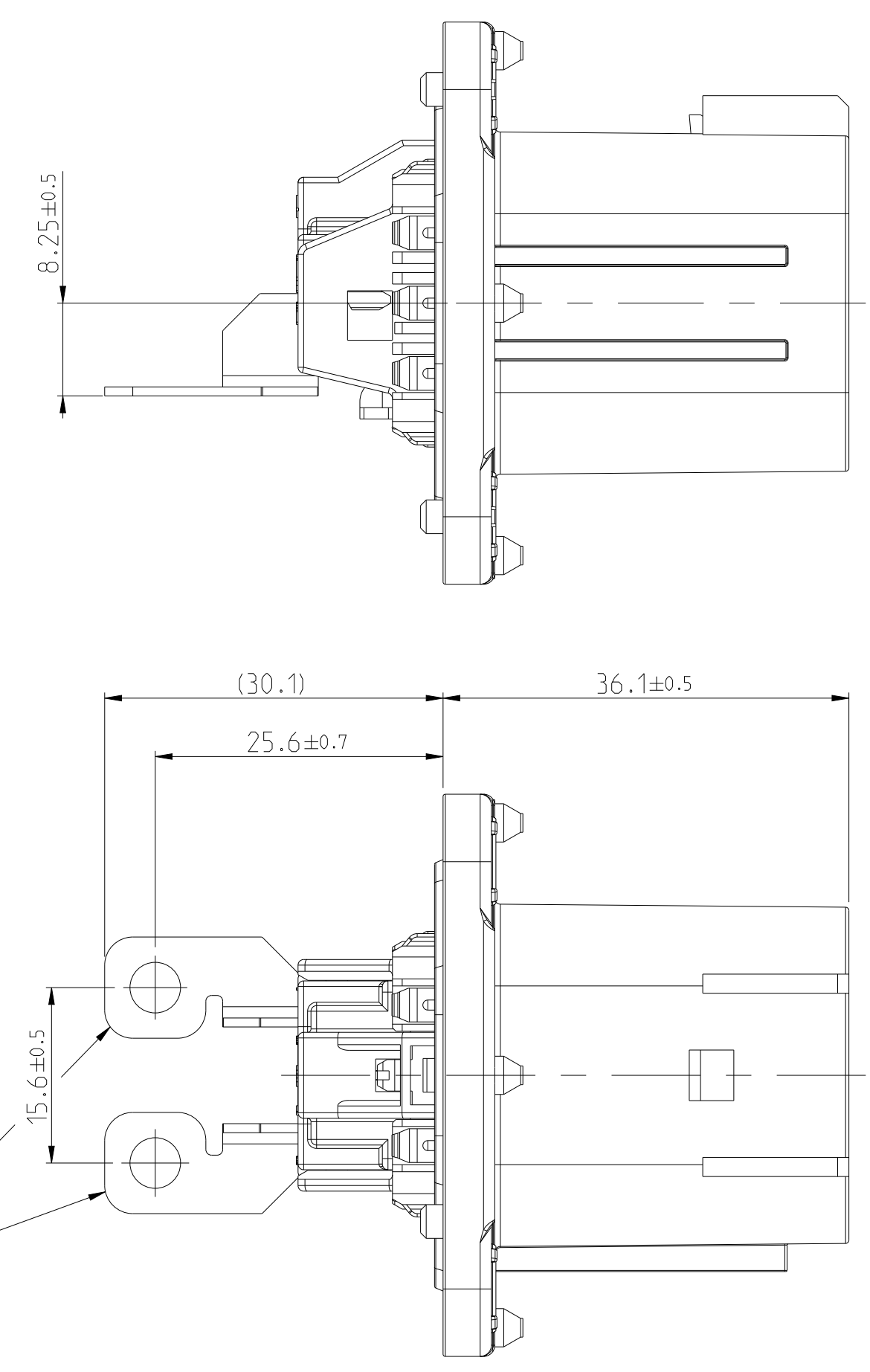
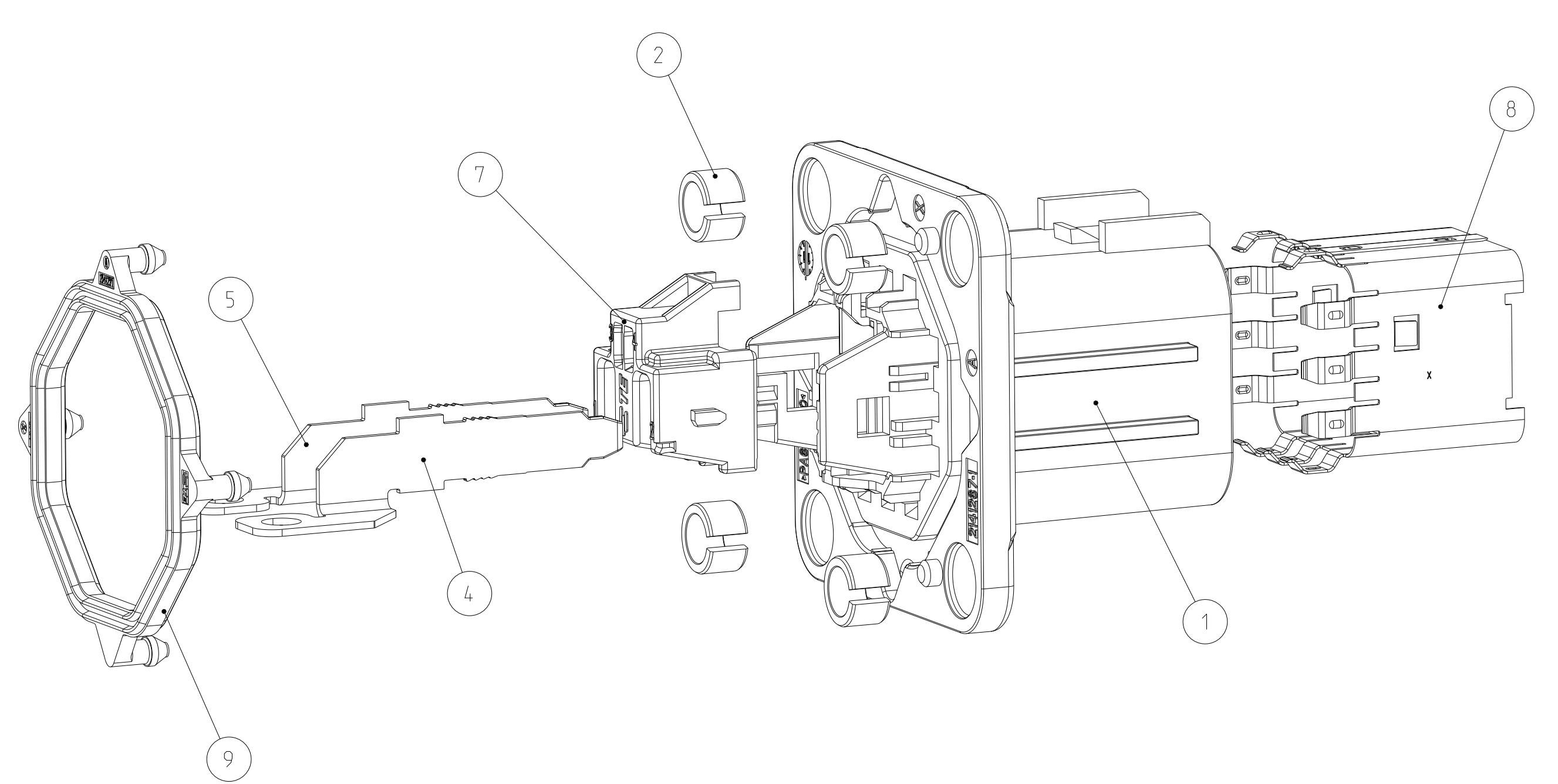


VARIANT 0- -X
Variante

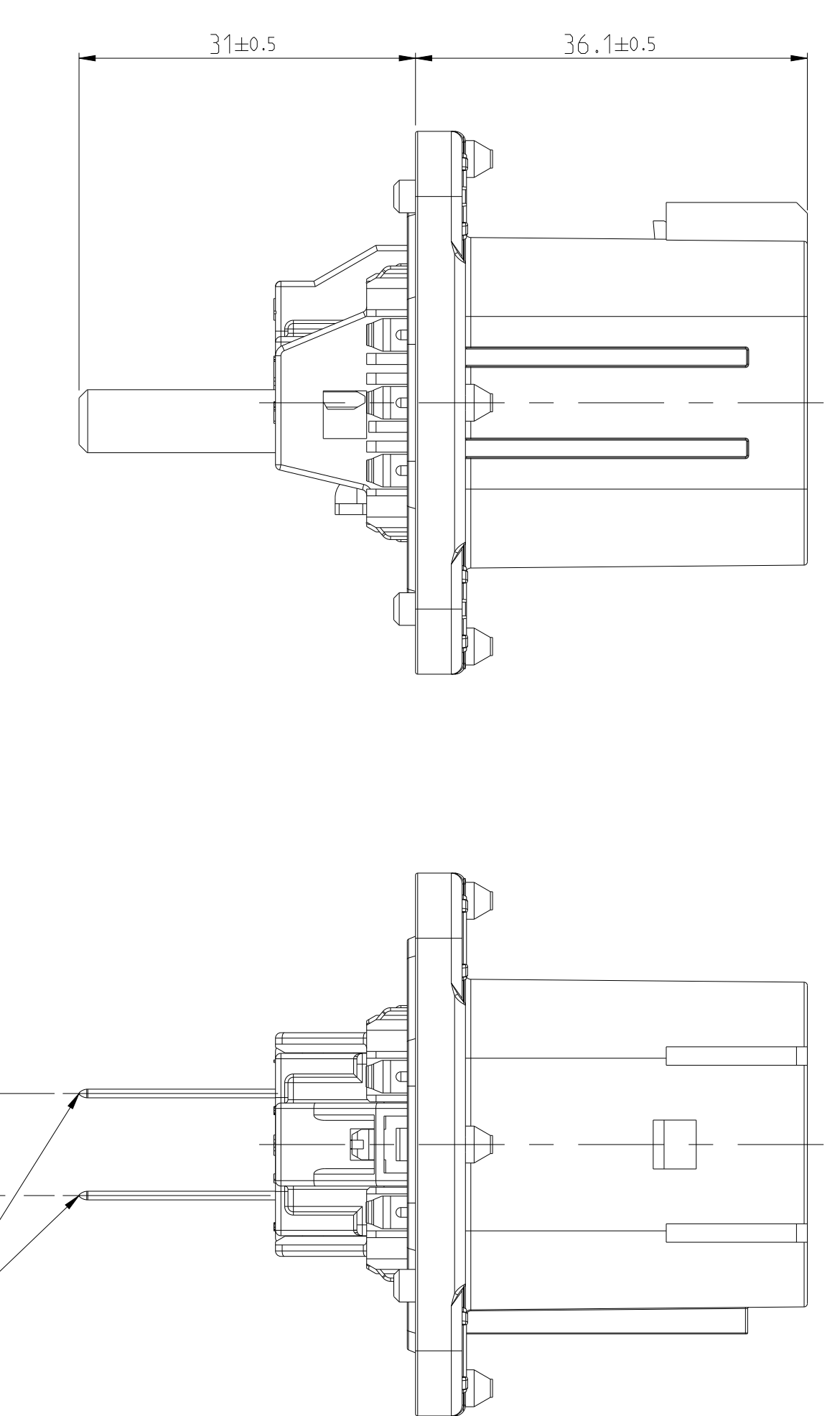
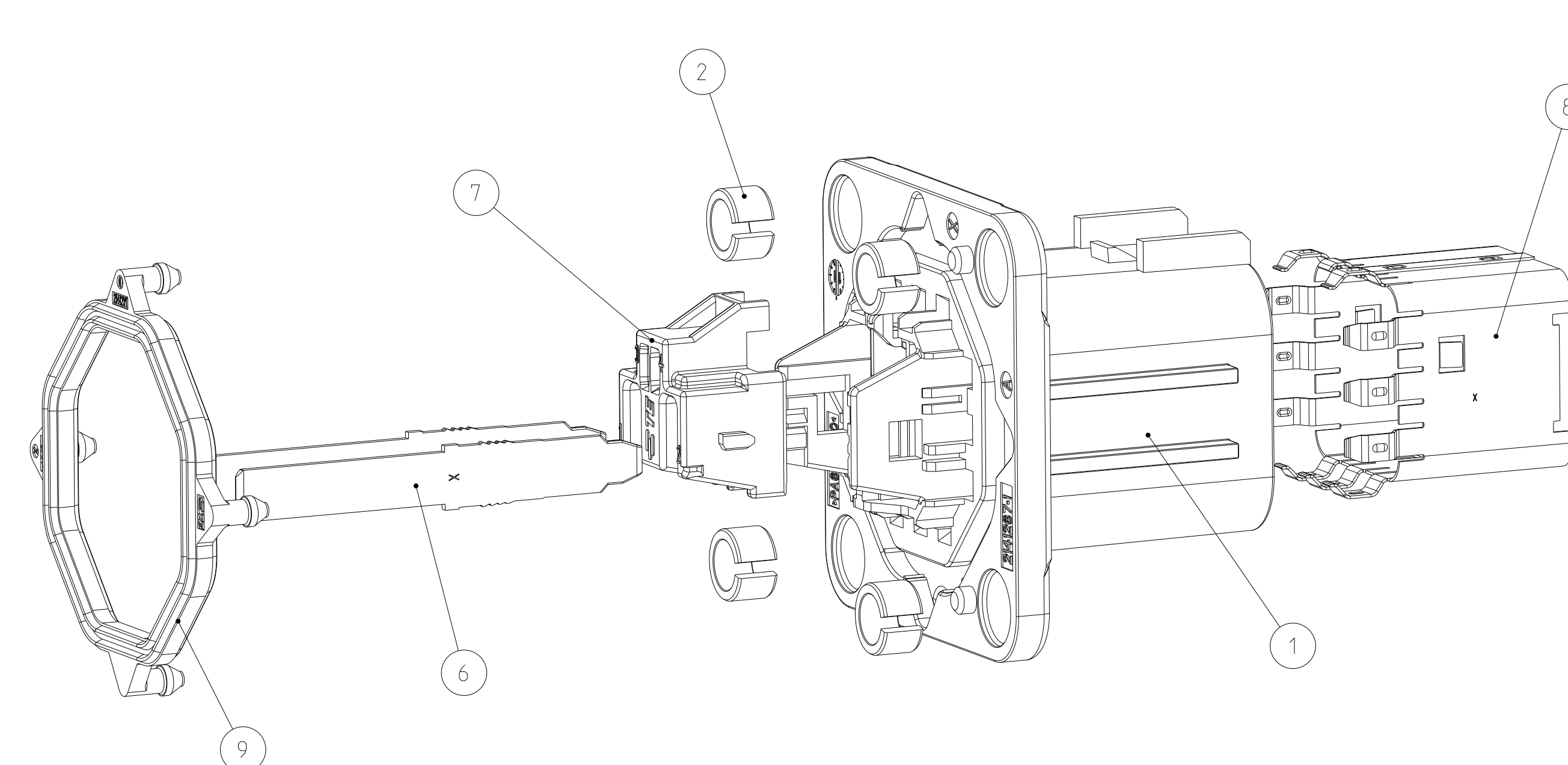


MATCHING FEMALE CONTACT: PCB 6.3 TERMINAL, PN 1719102-1
Passender Gegenkontakt:

VARIANT 1- -X
Variante

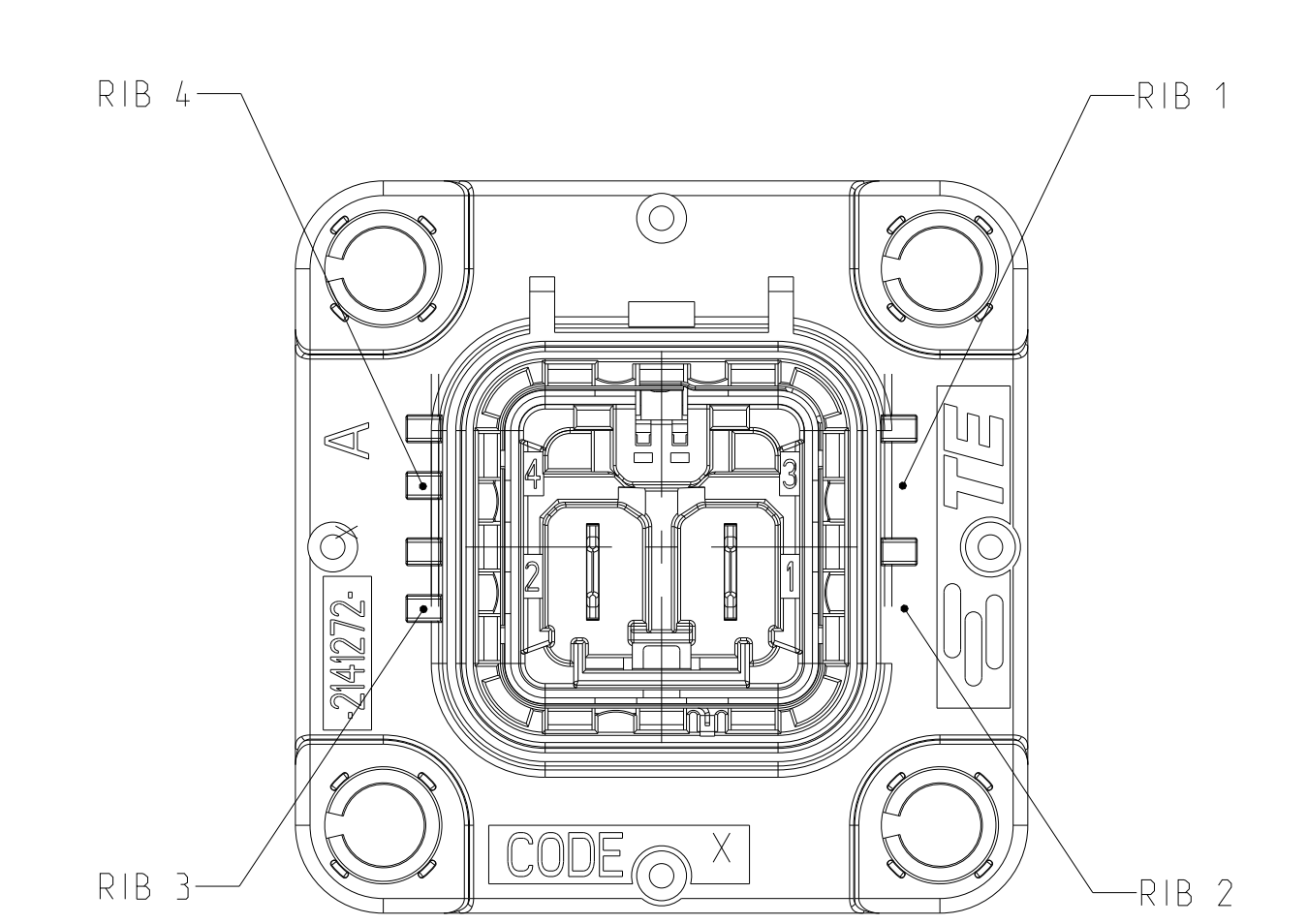


VARIANT 2- -X
Variante

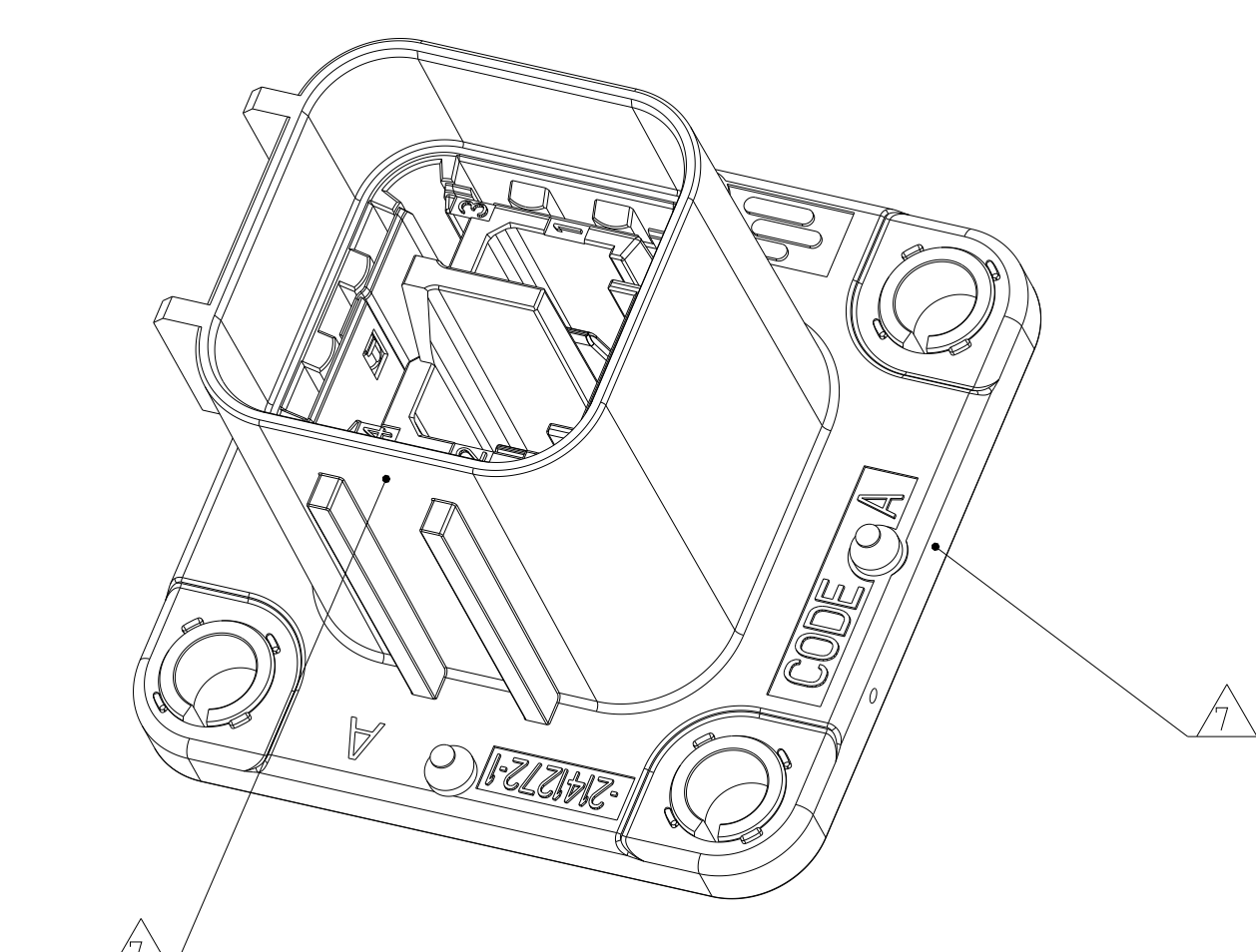


MATCHING FEMALE CONTACT: PCB 6.3 TERMINAL, PN 1719102-1
Passender Gegenkontakt:

CODINGS



CODING	RIB 1	RIB 2	RIB 3	RIB 4
A	-	-	X	X
B	-	X	X	-
E	X	-	X	-
F	-	X	-	X
F	X	X	-	-



- THE GERMAN TEXT IS BINDING
Der deutsche Text ist verbindlich
 - PACKING: TRAY
Verpackung: Tray
 - SUITABLE INTERLOCK-CONTACTS: 1418760-3; 5-1418758-3; 2141864-3
Passende Interlock-Kontakte: 1418760-3; 5-1418758-3; 2141864-3
 - SUBJECT TO TECHNICAL CHANGES
TE DOESN'T COMPENSATE FOR FOLLOW-UP-COSTS DUE TO TECHNICAL CHANGES
Technische Änderungen vorbehalten
TE kommt nicht fuer Folgekosten durch Aenderungen auf
 - UNVERIFIED TAB GEOMETRY, APPLICATION AND VERIFICATION
IN CUSTOMERS RESPONSIBILITY
Unverifizierte Tabanschlussgeometrie, Anwendung und Verifikation
im Verantwortungsbereich des Kunden
 - CODINGS SEE INTERFACE DRAWINGS
114-94036 AND 114-94037
Kodierungen siehe Schnittstellenzeichnungen
114-94036 und 114-94037
- ALLOWED AREA FOR MARKING OF GOOD PIECES
Zulaessiger Bereich fuer Gutteilmarkierung

SPECIFICATIONS
Spezifikationen

DESCRIPTION	REF. NO.
MATING CONNECTOR: 2POS. HV. REC HSG. ASSY Gegenstecker: 2pol. HV. Steckergehäuse. Zusammenbau	114-94100-1
INTERFACE DRAWING 2POS. HV 90/180Deg Schnittstellenzeichnung 2pol. HV 90/180Grad	114-94036
INTERFACE DRAWING, ADAPTER PLATE, 2POS HV 90/180Deg-CATEGORY 1 Ausführungsvorschrift, Aufnahmeplatte, 2pol HV 90/180Grad-Kategorie 1	114-94037
PRODUCT-SPEC. Produktspezifikation	108-94264
APPLICATION-SPEC. Verarbeitungspezifikation	114-94100

COD.	DESCRIPTION - ASSY	WEIGHT (g)	TE ORDER-NO.	REV	QTY	DESCRIPTION - PART	MATERIAL	SURFACE	ITEM
A	2 POS 90DEG TAB HEADER ASSY HV CONNECTOR	50	4-2141272-1	A	1	TAB 6.3/5.8x0.8mm (L-SHAPE TERMINAL)	CuSn	Ni/Ag	10
					1	AXIAL SEAL	SILICONE	BROWN	9
					1	EMC SHIELD	CuNiSi	Ni/Ag	8
					1	SECONDARY LOCK	PA66GF30	BLACK	7
					4	COMPRESSION DELIMITER	STEEL	ZnNi	2
					1	2POS. MIXED. HEADER HSG 180 DEG	PA66GF30	ORANGE	1
F	2 POS 180DEG TAB HEADER ASSY HV CONNECTOR	43	2-2141272-6	B	1	AXIAL SEAL	SILICONE	BROWN	9
					1	EMC SHIELD	CuNiSi	Ni/Ag	8
					1	SECONDARY LOCK	PA66GF30	BLACK	7
					2	TAB 6.3/5.8x0.8mm	CuSn	Ni/Ag	6
					4	COMPRESSION DELIMITER	STEEL	ZnNi	2
					1	2POS. MIXED. HEADER HSG 180 DEG	PA66GF30	ORANGE	1
A	2 POS 180DEG TAB HEADER ASSY HV CONNECTOR	43	2-2141272-1	B	1	AXIAL SEAL	SILICONE	BLACK	9
					1	EMC SHIELD	CuNiSi	Ni/Ag	8
					1	SECONDARY LOCK	PA66GF30	BLACK	7
					2	TAB 6.3/5.8x0.8mm	CuSn	Ni/Ag	6
					4	COMPRESSION DELIMITER	STEEL	ZnNi	2
					1	2POS. MIXED. HEADER HSG 180 DEG	PA66GF30	ORANGE	1
F	2 POS 180DEG TAB HEADER ASSY HV CONNECTOR	44	1-2141272-6	B	1	AXIAL SEAL	SILICONE	BROWN	9
					1	EMC SHIELD	CuNiSi	Ni/Ag	8
					1	SECONDARY LOCK	PA66GF30	BLACK	7
					1	TAB 6.3x0.8. RIGHT BENDED TERMINAL	CuSn	Ni/Ag	5
					1	TAB 6.3x0.8. LEFT BENDED TERMINAL	CuSn	Ni/Ag	4
					4	COMPRESSION DELIMITER	STEEL	ZnNi	2
					1	2POS. MIXED. HEADER HSG 180 DEG	PA66GF30	ORANGE	1
A	2 POS 180DEG TAB HEADER ASSY HV CONNECTOR	44	1-2141272-1	B	1	AXIAL SEAL	SILICONE	BLACK	9
					1	EMC SHIELD	CuNiSi	Ni/Ag	8
					1	SECONDARY LOCK	PA66GF30	BLACK	7
					1	TAB 6.3x0.8. RIGHT BENDED TERMINAL	CuSn	Ni/Ag	5
					1	TAB 6.3x0.8. LEFT BENDED TERMINAL	CuSn	Ni/Ag	4
					4	COMPRESSION DELIMITER	STEEL	ZnNi	2
					1	2POS. MIXED. HEADER HSG 180 DEG	PA66GF30	ORANGE	1
F	2 POS 180DEG TAB HEADER ASSY HV CONNECTOR	41	2141272-6	B	1	AXIAL SEAL	SILICONE	BROWN	9
					1	EMC SHIELD	CuNiSi	Ni/Ag	8
					1	SECONDARY LOCK	PA66GF30	BLACK	7
					2	TAB 6.3/5.8x0.8mm	CuSn	Ni/Ag	3
					4	COMPRESSION DELIMITER	STEEL	ZnNi	2
					1	2POS. MIXED. HEADER HSG 180 DEG	PA66GF30	ORANGE	1
A	2 POS 180DEG TAB HEADER ASSY HV CONNECTOR	41	2141272-1	B	1	AXIAL SEAL	SILICONE	BLACK	9
					1	EMC SHIELD	CuNiSi	Ni/Ag	8
					1	SECONDARY LOCK	PA66GF30	BLACK	7
					2	TAB 6.3/5.8x0.8mm	CuSn	Ni/Ag	3
					4	COMPRESSION DELIMITER	STEEL	ZnNi	2
					1	2POS. MIXED. HEADER HSG 180 DEG	PA66GF30	ORANGE	1

THIS DRAWING IS A CONTROLLED DOCUMENT. DIMENSIONING AND TOLERANCING PER GPS ISO STANDARDS.

DATE: 08FEB2011
DESIGNED BY: Y. Shih
CHECKED BY: J. Hoedemakers
APPROVED BY: J. Reijnen
DATE: 20APR2011

TE Connectivity

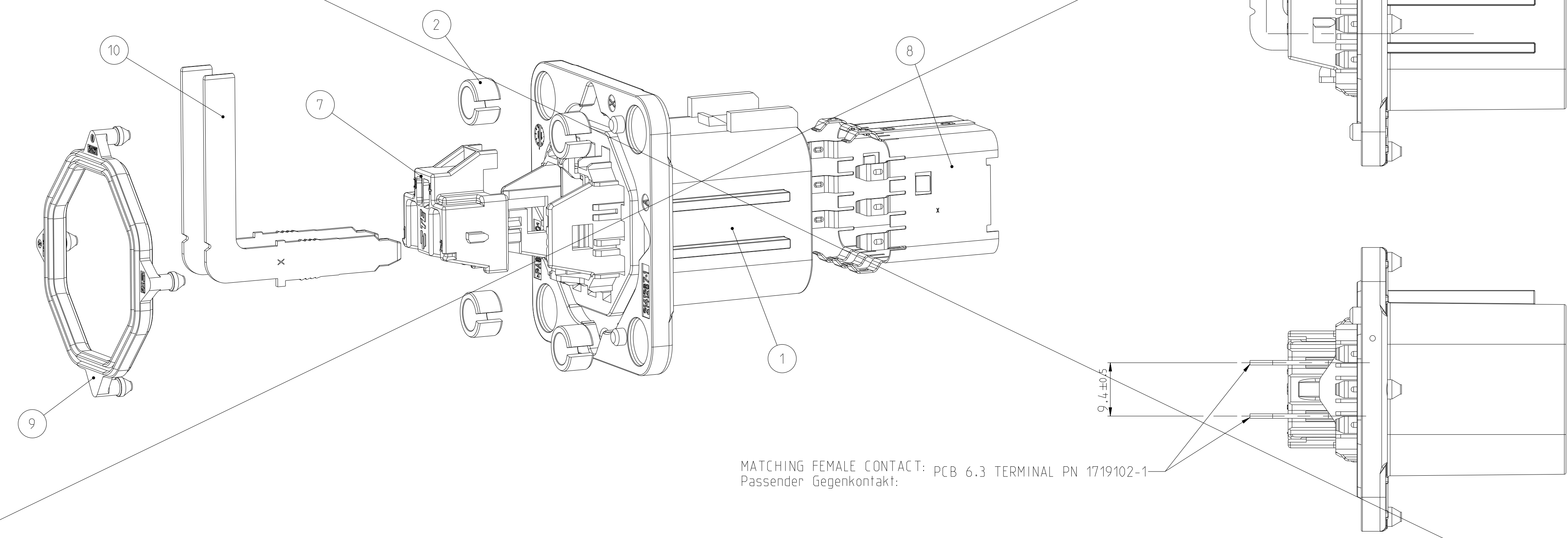
2 POS 180DEG TAB HEADER ASSY HV CONNECTOR

SIZE: A0 CASE CODE: 00779 DRAWING NO: 2141272 SHEET 1 OF 3

RESTRICTED TO

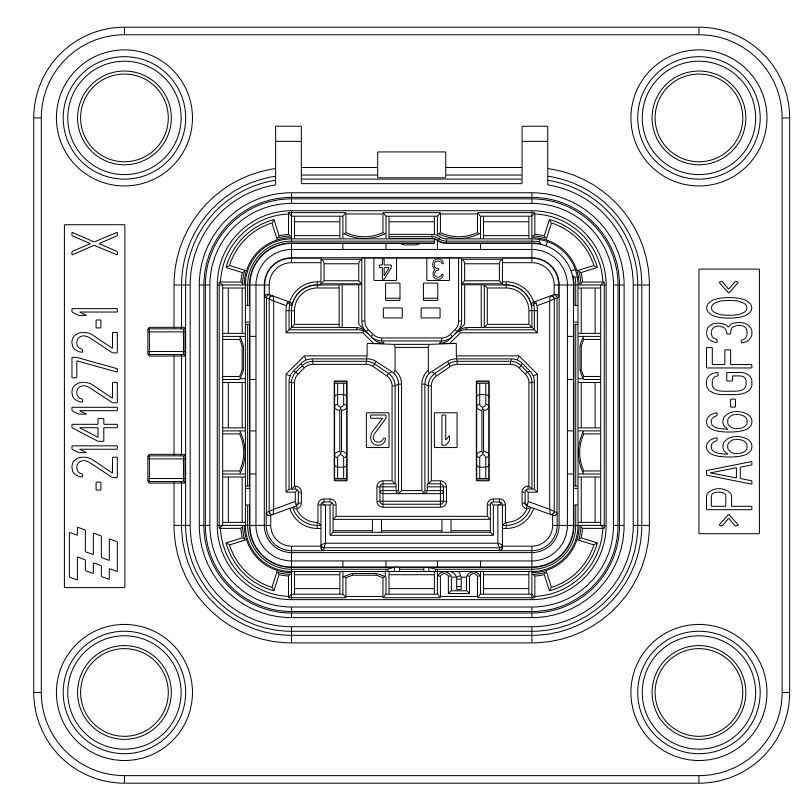
REVISIONS			
REV	DATE	DESCRIPTION	APPROVED
1	-	SEE SHEET 1	-

VARIANT 4 - -X
 Variante

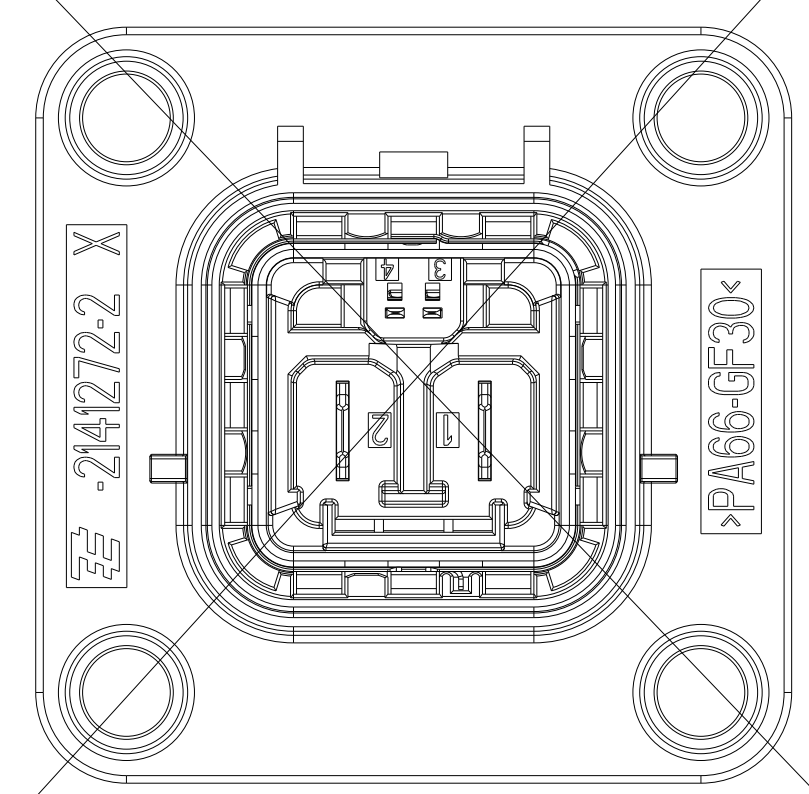


THIS DRAWING IS A CONTROLLED DOCUMENT. DIMENSIONING AND TOLERANCING PER GPS ISO STANDARDS.		DATE: 08FEB2011 DESIGNED BY: Vishwajit A. Chaudhari DRAWN BY: T. Reisinger	REV: 28APR2011 REVISED BY: T. Reisinger	NAME: 2 POS 180DEG TAB HEADER ASSY HV CONNECTOR	SCALE: 5:1	SHEET: 2 of 3	REV: F5
ITEM:	QUANTITY:	UNIT:	APPROVAL:	APPROVAL:	APPROVAL:	APPROVAL:	APPROVAL:
0 PFC	1 PFC	2 PFC	3 PFC	4 PFC	5 PFC	6 PFC	7 PFC
MATERIAL:	FINISH:	ANGLE:	WEIGHT:	CUSTOMER DRAWING	SIZE: A0	CAGE CODE: 00779	DRAWING NO: 2141272

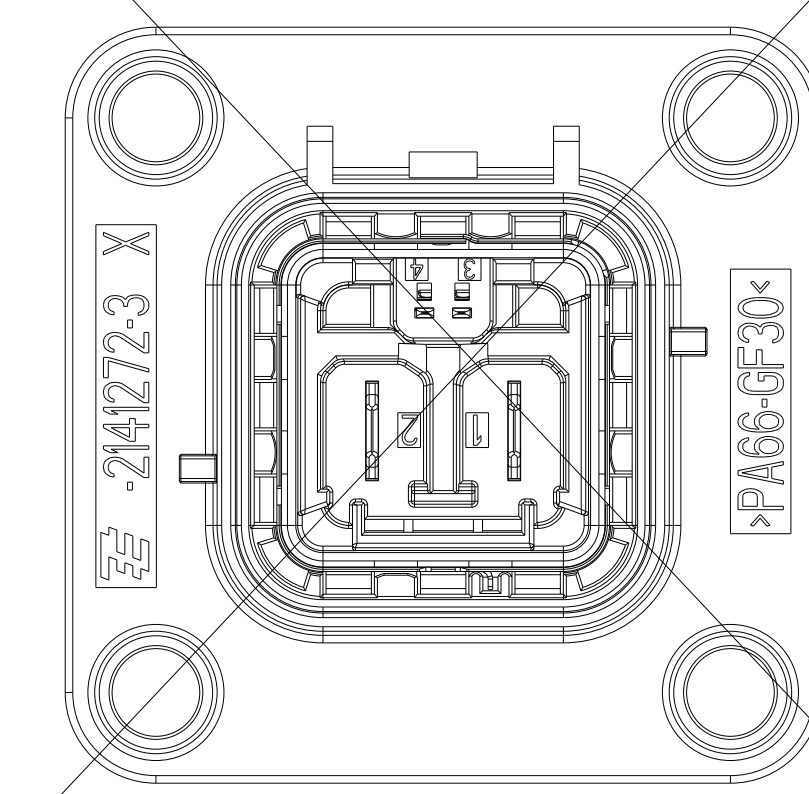
REVISIONS			
REV	DATE	DESCRIPTION	APPROVED
1	-	SEE SHEET 1	-



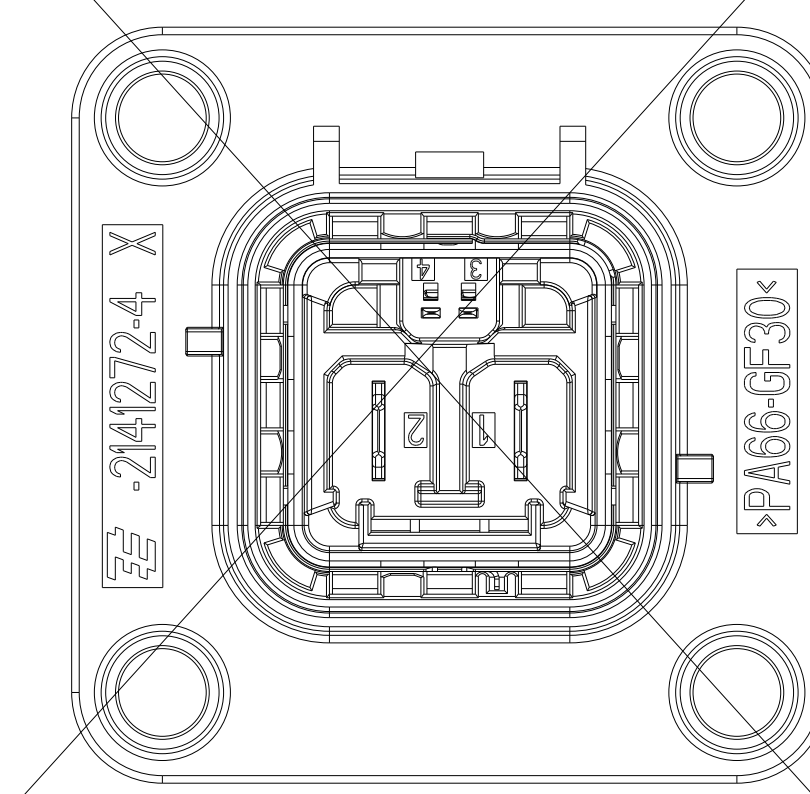
CODE A



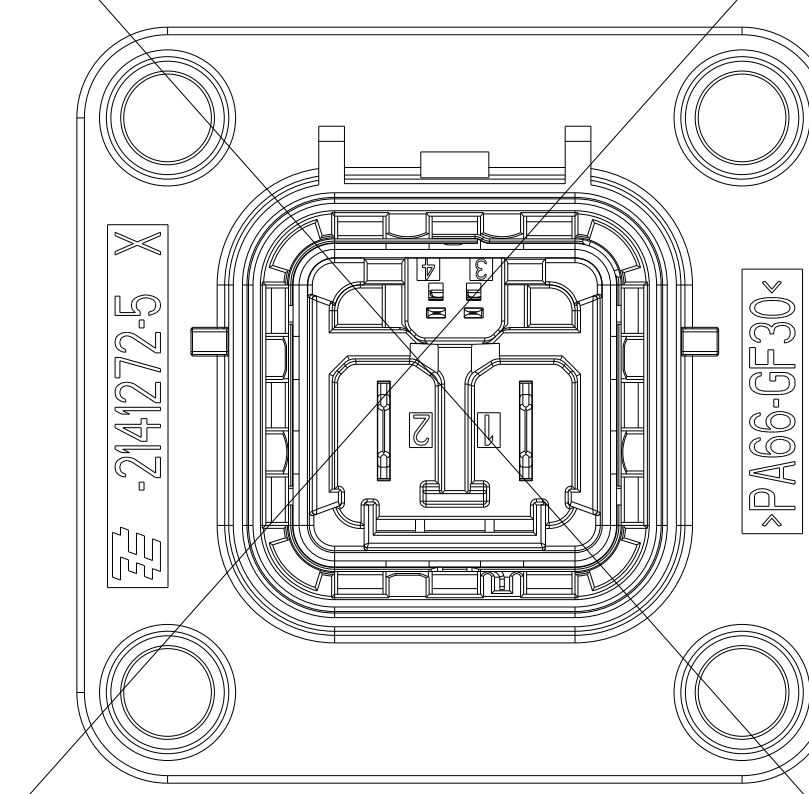
CODE B



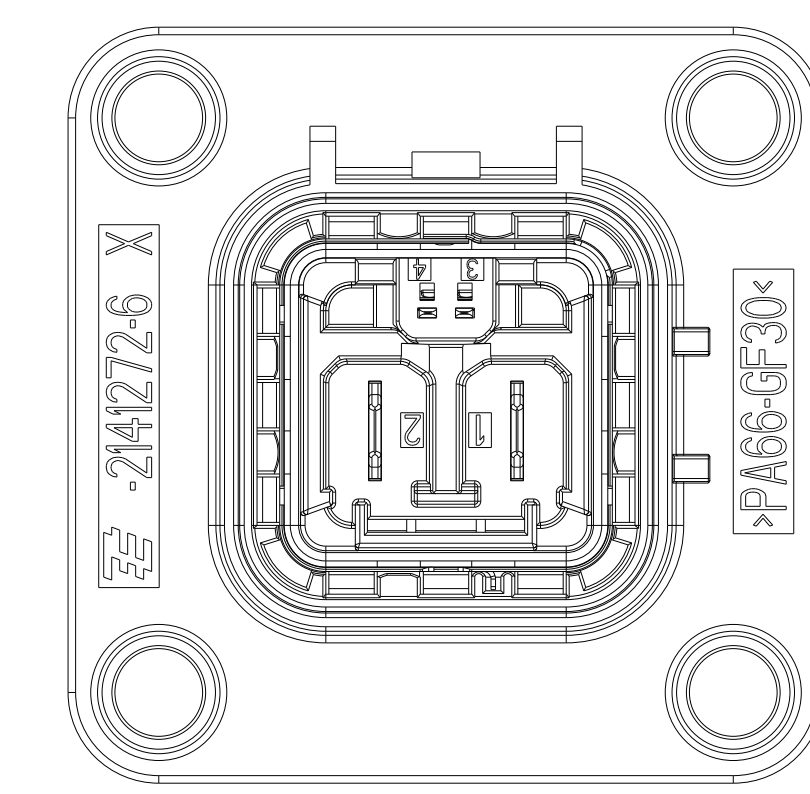
CODE C



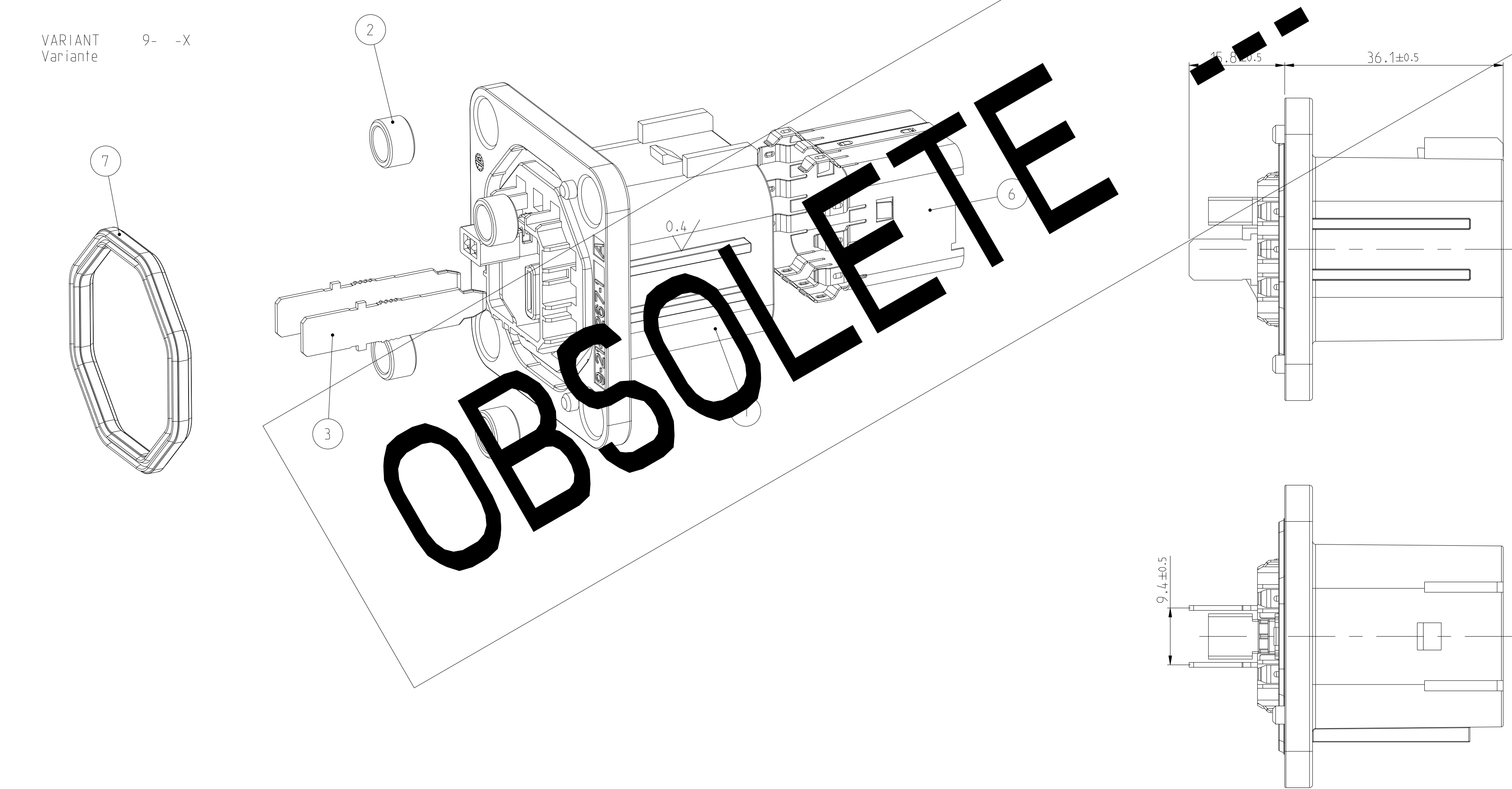
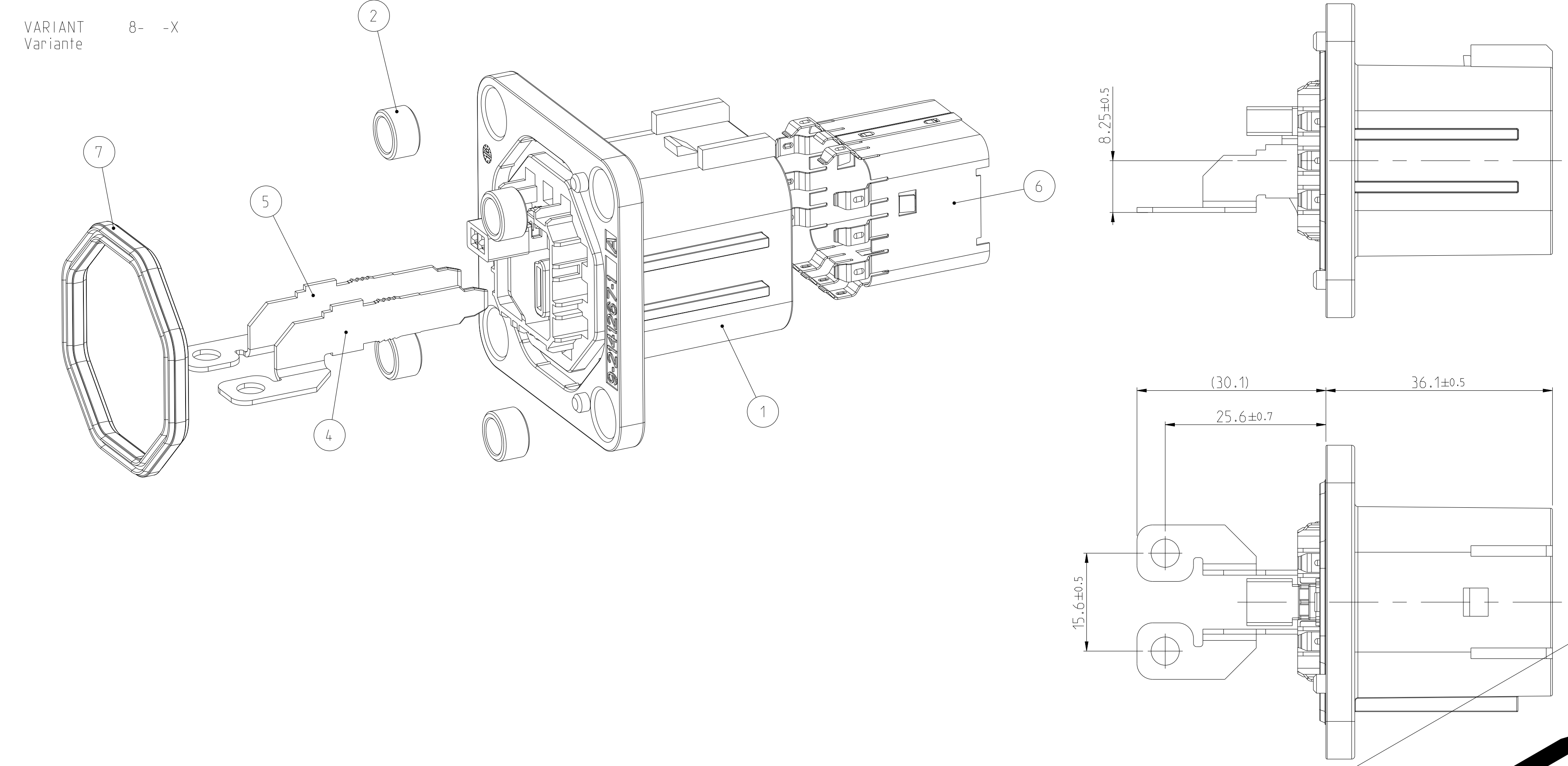
CODE D



CODE E



CODE F



OBSOLETE

NOTES
Bemerkungen

- THE GERMAN TEXT IS BINDING
Der deutsche Text ist verbindlich
- LAYER PACKING WITH CORRUGATED LAYER PAD AND PAPER CUSHION INTO CORRUGATED SHIPPING BOX
Lagenweise Verpackung mit Wellpappeinlagen und Papierpolstern in Versandkarton
- MISSING DATAS ACCORDING TO TE-DRAWING NO.: 114-94036
Fehlende Angaben gemäß TE-Zeichnung Nr.: 114-94036
- SUITABLE INTERLOCK-CONTACTS: 1418760-3
SUITABLE 2. LOCK FOR INTERLOCK-CONTACTS: TE-DRAWING NO. 2141145
Passende Interlock-Kontakte: 1418760-3
Passende 2. Kontaktsicherung für Interlock-Anschluss: TE-drawing-nummer 2141145
- SUBJECT TO TECHNICAL CHANGES
TE DOESN'T COMPENSATE FOR FOLLOW-UP-COSTS DUE TO TECHNICAL CHANGES
Technische Änderungen vorbehalten
TE kommt nicht fuer Folgekosten durch Änderungen auf
- UNVERIFIED TAB GEOMETRY, APPLICATION AND VERIFICATION IN CUSTOMERS RESPONSIBILITY
Unverifizierte Tabanschlusssgeometrie, Anwendung und Verifikation im Verantwortungsbereich des Kunden

SPECIFICATIONS Spezifikationen	
MATING CONNECTOR: 2POS. HV. REC HSG. ASSY Gegenstecker: 2pol. HV. Steckergehäuse, Zusammenbau	114-94100-1
INTERFACE DRAWING: ADAPTER PLATE, 2POS HV90/180DEG-CATEGORY 1 Ausführungsvorschrift, Aufnahmeplatte, 2pol HV90 °/180 °-Kategorie 1	114-94037
PRODUCT-SPEC. Produktspezifikation	108-94264
APPLICATION-SPEC. Verarbeitungsspezifikation	114-94100

COD.	DESCRIPTION - ASSY	WEIGHT (g)	TE ORDER-NO.	REV	QTY	DESCRIPTION - PART	MATERIAL	SURFACE	ITEM
F	2 POS 180DEG TAB HEADER ASSY HV CONNECTOR	40	9-2141272-6	B	1	AXIAL SEAL	SILICONE	NATURAL	7
					1	EMC SHIELD	CuNiSi	Ni/Ag	6
					2	TAB 6.3x0.8x0.8mm	CuSn	Ni/Ag	3
					4	SLEEVE	CuZn	Ni	2
A	2 POS 180DEG TAB HEADER ASSY HV CONNECTOR	40	9-2141272-1	B	1	AXIAL SEAL	SILICONE	NATURAL	7
					1	EMC SHIELD	CuNiSi	Ni/Ag	6
					2	TAB 6.3x0.8x0.8mm	CuSn	Ni/Ag	3
					4	SLEEVE	CuZn	Ni	2
F	2 POS 180DEG TAB HEADER ASSY HV CONNECTOR	40	8-2141272-6	B	1	AXIAL SEAL	SILICONE	NATURAL	7
					1	EMC SHIELD	CuNiSi	Ni/Ag	6
					1	TAB 6.3x0.8, RIGHT BENDED TERMINAL	CuSn	Ni/Ag	5
					1	TAB 6.3x0.8, LEFT BENDED TERMINAL	CuSn	Ni/Ag	4
					4	SLEEVE	CuZn	Ni	2
A	2 POS 180DEG TAB HEADER ASSY HV CONNECTOR	40	8-2141272-1	B	1	AXIAL SEAL	SILICONE	NATURAL	7
					1	EMC SHIELD	CuNiSi	Ni/Ag	6
					1	TAB 6.3x0.8, RIGHT BENDED TERMINAL	CuSn	Ni/Ag	5
					1	TAB 6.3x0.8, LEFT BENDED TERMINAL	CuSn	Ni/Ag	4
					4	SLEEVE	CuZn	Ni	2
					1	2POS. MIXED. HEADER HSG 180 DEG	PA66GF30	ORANGE	1

THIS DRAWING IS A CONTROLLED DOCUMENT. DIMENSIONING AND TOLERANCING PER GPS 1550 STANDARDS.

DATE: 08FEB2011
DESIGNED BY: VISHVA A
CHECKED BY: U. HOODINAT
APPROVED BY: OLMAY2011

TE Connectivity
2 POS 180DEG TAB HEADER ASSY HV CONNECTOR

SCALE: 5:1 SHEET 3 OF 3