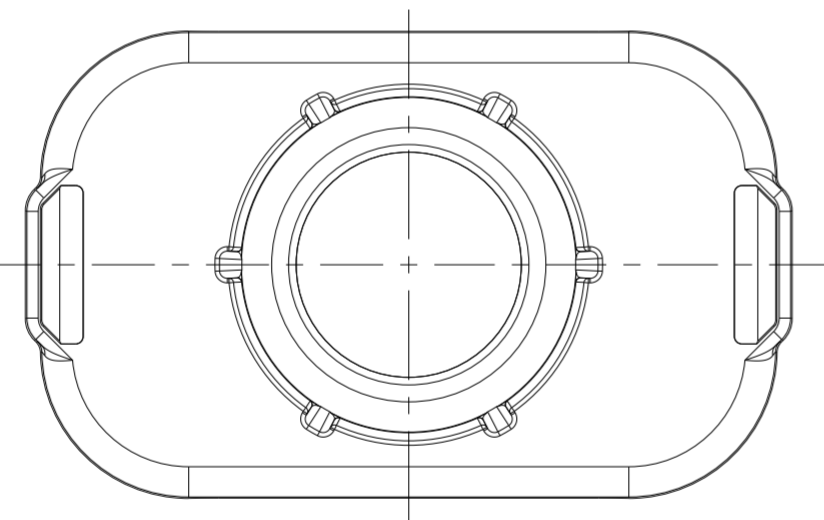
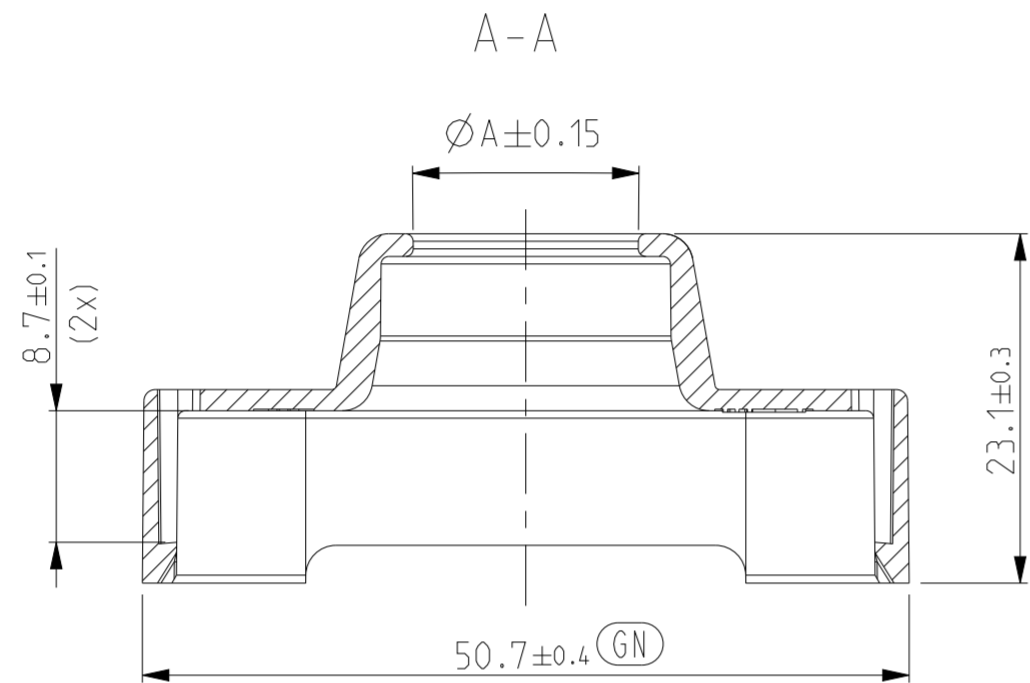
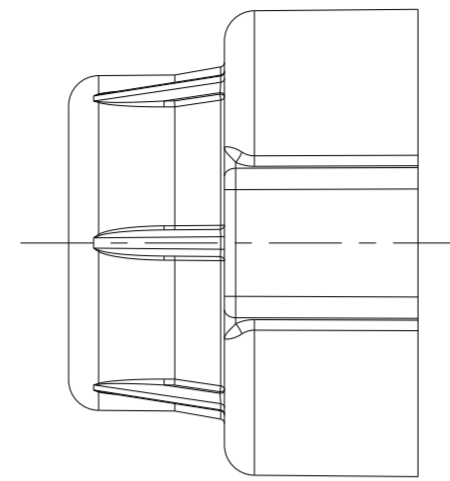
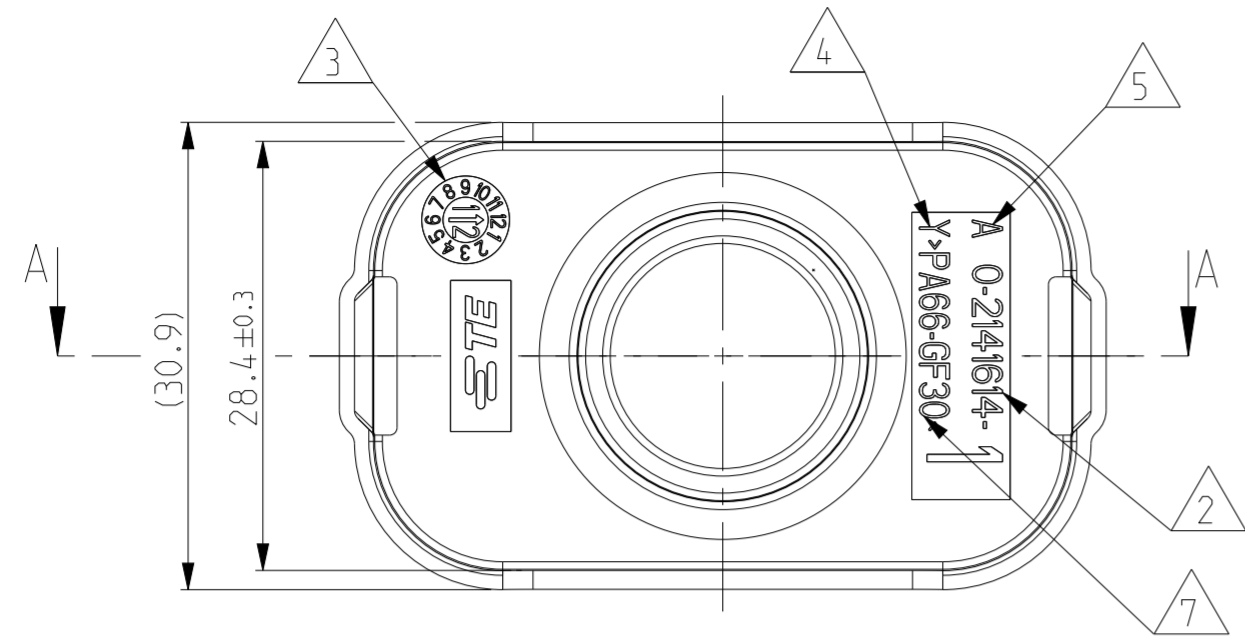


MATED WITH:
PASSEND ZU
2141608

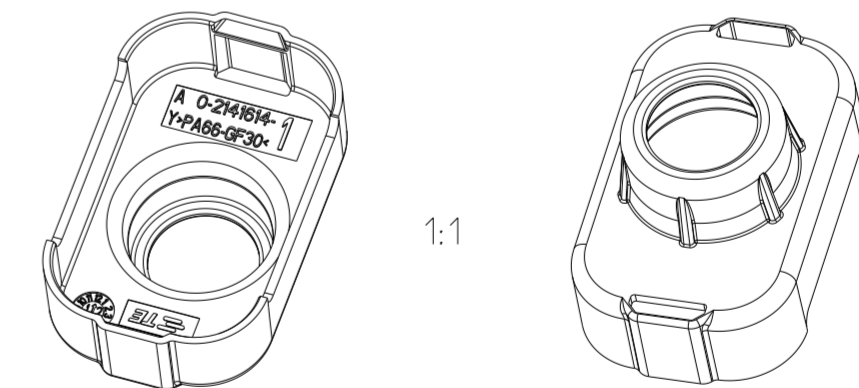
PROJEKT NR.
PRJ-13-00000345

REVISIONS ÄNDERUNGEN		DATE	DWN	APVD
P	LTR	DESCRIPTION BESCHREIBUNG		
A		NEW DRAWING	19DEC2013	MKP FW I
B		VARIANTS -5 AND -6 ADDED	12JUL2016	RSC RSC
B1		ECR-18-003930, PN 2141614-9 ADDED	23MAR2018	Sche MCS
B2		ACTIVATED -1 PART VARIANT	15MAR2023	JJH TSV



- IN CASE OF DISCREPANCIES BETWEEN GERMAN AND ENGLISH TEXT THE GERMAN TEXT IS BINDING
Im Falle von Unterschieden zwischen dem deutschen und dem englischen Text ist der deutsche Text verbindlich
- TE PART NUMBER SINGLE PART
TE-Teilenummer Einzelteil
- PRODUCTION DATE WITH DATE INSERT TE
Produktionsdatum mit Datumstempel TE
- CAVITY MARKING IF MULTIPLE CAVITY TOOL
Nestmarkierung falls mehrnestriges Werkzeug
- PART REVISION
Teilerrevision
- MATERIAL MARKING ACC. TO VDA 260
Materialkennzeichnung nach VDA 260
- BULK PACKAGING IN PLASTIC BAG AND CORRUGATED SHIPPING BOX
Schüttgut in Beutel und Versandkarton
- MAX. REGRIND ALLOWED UP TO 25%
Regranulatanteil bis max. 25% zulaessig
- BURR MAX. 0.2
Grat max. 0.2 zulaessig

PN 2141614-1
AS SHOWN
wie gezeigt



TE-PART-NO.	DESCRIPTION	MATERIAL	DIM. Ø A [mm]	FOR CABLE DIAM. [mm]	WEIGHT [g]	COLOUR
2141614-9	COVER, CABLE SEAL for 2x6mm ²	PA66-GF30	13.2	12.2...12.8	5.9	ORANGE SIMILAR RAL 2003
2141614-6	COVER, CABLE SEAL for 4x6mm ²	PA66-GF30	15.3	14.5...15.1	5.77	ORANGE SIMILAR RAL 2003
2141614-5	COVER, CABLE SEAL for 3x6mm ²	PA66-GF30	14.6	13.5...14.1	5.8	ORANGE SIMILAR RAL 2003
2141614-4	COVER, CABLE SEAL for 4x4mm ²	PA66-GF30	13.7	12.7...13.3	5.84	ORANGE SIMILAR RAL 2003
2141614-3	COVER, CABLE SEAL for 3x4mm ²	PA66-GF30	12.5	11.5...12.1	5.89	ORANGE SIMILAR RAL 2003
2141614-2	COVER, CABLE SEAL for 5x6mm ²	PA66-GF30	16.6	15.7...16.3	5.7	ORANGE SIMILAR RAL 2003
2141614-1	COVER, CABLE SEAL for 5x4mm ²	PA66-GF30	14.9	13.9...14.5	5.79	ORANGE SIMILAR RAL 2003

B2

DIESE ZEICHNUNG IST EIN KONTROLLIERTES DOKUMENT. BEMASSUNGEN UND TOLERANZEN GEMAESS GPS (ISO STANDARDS).		THIS DRAWING IS A CONTROLLED DOCUMENT. DIMENSIONING AND TOLERANCING PER GPS (ISO STANDARDS).	
DIMENSIONS: MASSE IN HETEN: (MM)		TOLERANCES UNLESS OTHERWISE SPECIFIED: ALLGEMEINTOLERANZEN	
MATERIAL SEE TABLE		FINISH/OBERFLAECHE/FARBE SEE TABLE	
DIN ISO 2768-mK		DIN ISO 2768-mK	
APVD A. Ketteler		APVD A. Ketteler	
PRODUCT SPEC 108-94235		PRODUCT SPEC 108-94235	
APPLICATION SPEC 114-94114		APPLICATION SPEC 114-94114	
WEIGHT SEE TABLE		WEIGHT SEE TABLE	
CUSTOMER DRAWING		CUSTOMER DRAWING	

DWN 03OCT2013 Maithreya K.P.		DWN 03OCT2013 Maithreya K.P.	
CHK 03OCT2013 E. Wittrock		CHK 03OCT2013 E. Wittrock	
APVD 19DEC2013 A. Ketteler		APVD 19DEC2013 A. Ketteler	
NAME COVER, CABLE SEAL, HV CONNECTOR, 5POS Abdeckkappe, HV Stecker, 5 polig		NAME COVER, CABLE SEAL, HV CONNECTOR, 5POS Abdeckkappe, HV Stecker, 5 polig	
SIZE A2	CAGE CODE 00779	DRAWING NO. ZEICHNUNGS-NR. C-2141614	RESTRICTED TO NUR FUER -
SCALE MASSSTAB 2:1	SHEET BLATT 1 OF 1	REV B2	