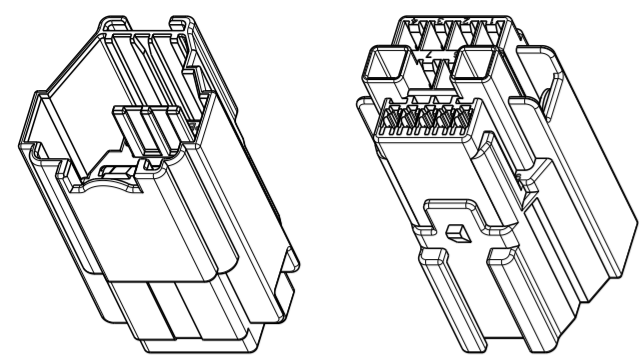
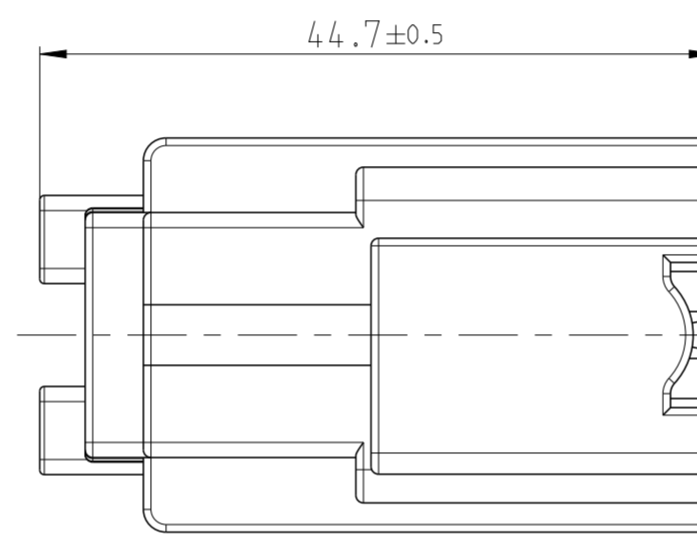
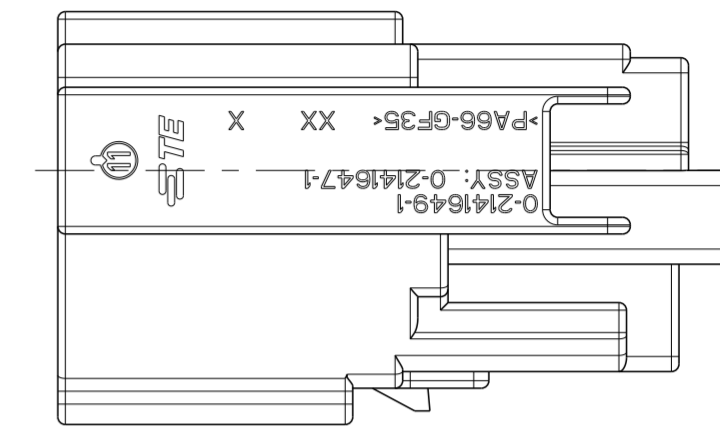
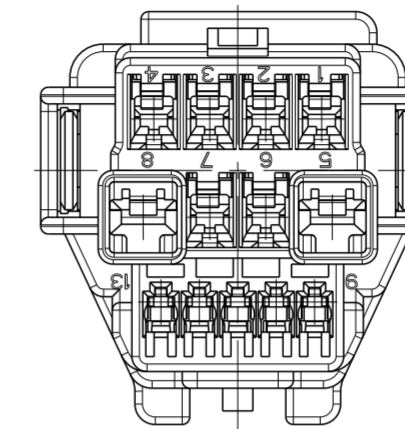
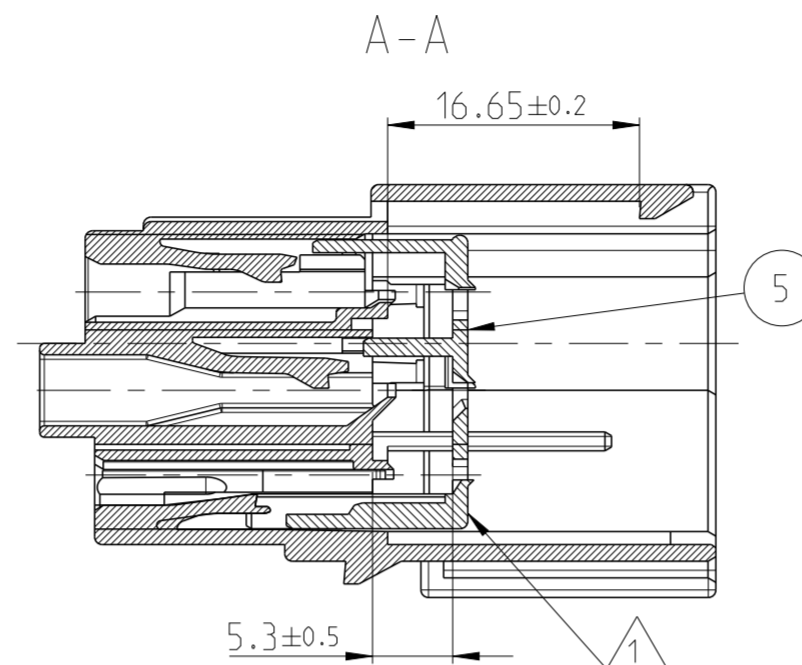
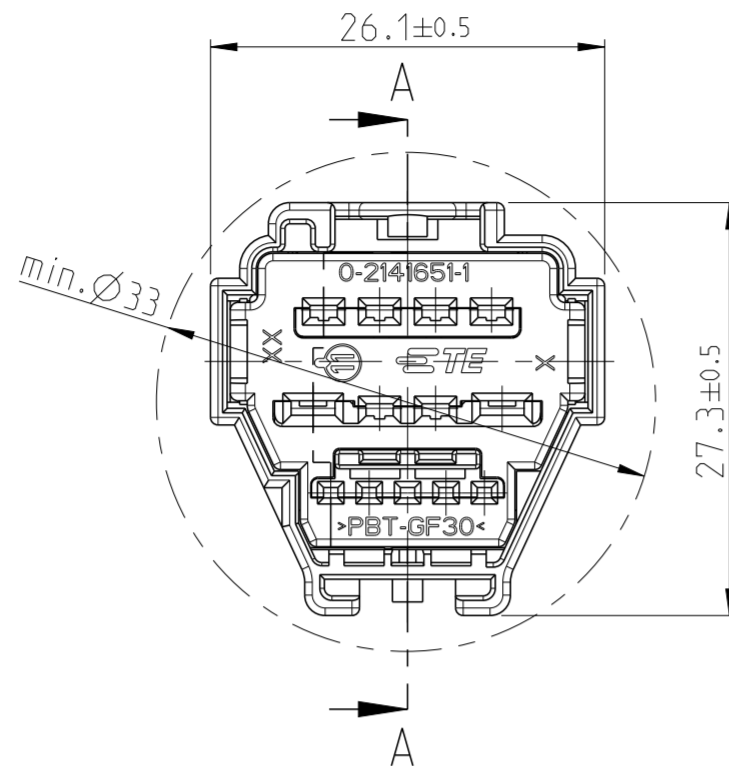


LOC		DIST		REVISIONS			
P	LTR	DESCRIPTION	DATE	DWN	APVD		
A		NEW DRAWING	07JUN2011	GP	GM		
A1		ECR-12-010251	13JUN2012	GP	GM		
A2		ECR-11-011935	11AUG2015	GP	KR		
A3		ECR-15-018256	16DEC2015	GP	KR		



1:1



APPLICABLE TERMINALS			
0.64 GENERATION Y UNSEALED MALE TERMINAL (0.13mm ²)	TIN	0-1924275-5	9U5T-14421-ZA
0.64 GENERATION Y UNSEALED MALE TERMINAL (0.35mm ² -0.50mm ²)	TIN	0-1924275-1	9U5T-14421-BA
0.64 GENERATION Y UNSEALED MALE TERMINAL (0.75mm ²)	TIN	0-1924275-2	9U5T-14421-CA
MALE TERMINAL 1.5mm	TIN	YAZAKI PART	97BG-14421-AAB
MALE TERMINAL 1.5mm	TIN	YAZAKI PART	97BG-14421-ABB
MALE TERMINAL 1.5mm	TIN	YAZAKI PART	97BG-14421-ACB
MALE TERMINAL 1.5mm	GOLD	YAZAKI PART	97BG-14421-AFA
MALE TERMINAL 1.5mm	GOLD	YAZAKI PART	97BG-14421-AGA
2.8 UNSEALED MALE TERMINAL	TIN	FCI PART	8U5T-14421-BA
2.8 UNSEALED MALE TERMINAL	TIN	FCI PART	8U5T-14421-CA
2.8 UNSEALED MALE TERMINAL	TIN	FCI PART	8U5T-14421-DA
2.8 UNSEALED MALE TERMINAL	TIN	FCI PART	8U5T-14421-EA
DESCRIPTION	PLATING COLOUR	TE CONNECTIVITY COMP. PART NO.	FORD COMP. PART NO.

0-2141647-1 CODING A / BLACK

1

0-2141647-2 CODING B / GREY

2

0-2141647-3 CODING A / BLACK CLIPPING FEATURE TURNED 180 DEGREE

3

0-2141647-4 CODING B / GREY CLIPPING FEATURE TURNED 180 DEGREE

4

NOTES:
 Bemerkungen:
 1 DELIVERY CONDITION: SPACER IN PRE-LOCK POSITION
 Auslieferungszustand: Spacer in Vorraststellung
 2 PACKAGING: LOOSE PIECES IN CARDBOARD BOX
 Verpackung: Schuetzgut im Karton

QTY	REQD	PER	ASSY	PART NO	DESCRIPTION	COLOUR	ITEM NO
1x	1x	1x	1x	0-2141651-1	13POS. HYBRID SPACER	RED SIMILAR RAL3000	5
1x				0-2141649-4	13POS. HYBRID TAB HOUSING CODING B	GREY SIMILAR RAL7037	4
	1x			0-2141649-3	13POS. HYBRID TAB HOUSING CODING A	BLACK SIMILAR RAL9011	3
		1x	-	0-2141649-2	13POS. HYBRID TAB HOUSING CODING B	GREY SIMILAR RAL7037	2
			1x	0-2141649-1	13POS. HYBRID TAB HOUSING CODING A	BLACK SIMILAR RAL9011	1
				0-2141647-4	0-2141647-3	0-2141647-2	0-2141647-1
				11.60	11.60	11.60	11.60
				QTY REQD PER ASSY			
				PARTS LIST			
				ASSY NO			
				WEIGHT OF EACH ASSY NO [g]			

THIS DRAWING IS A CONTROLLED DOCUMENT.

DWN: G.PUCKEL 07JUN2011
 CHK: K.ROTH 07JUN2011
 APVD: G.MUMPER 08JUN2011

TE Connectivity

NAME: 13POS. HYBRID TAB HOUSING ASSY
 2 x APEX2.8.5 x GENERATION Y
 6 x YESC1.5/MX150

SIZE: A2 CAGE CODE: 00779 DRAWING NO: C-2141647 RESTRICTED TO: -

MATERIAL: - FINISH: - WEIGHT: -

CUSTOMER DRAWING SCALE: 2:1 SHEET: 1 of 1 REV: A3

-1 AS SHOWN wie gezeichnet