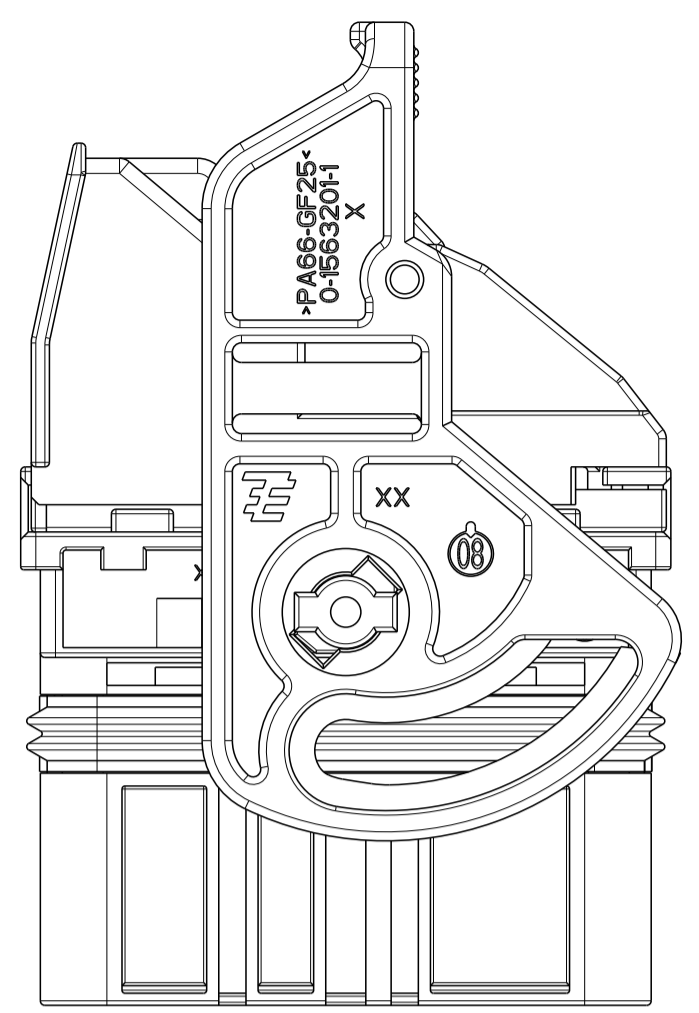
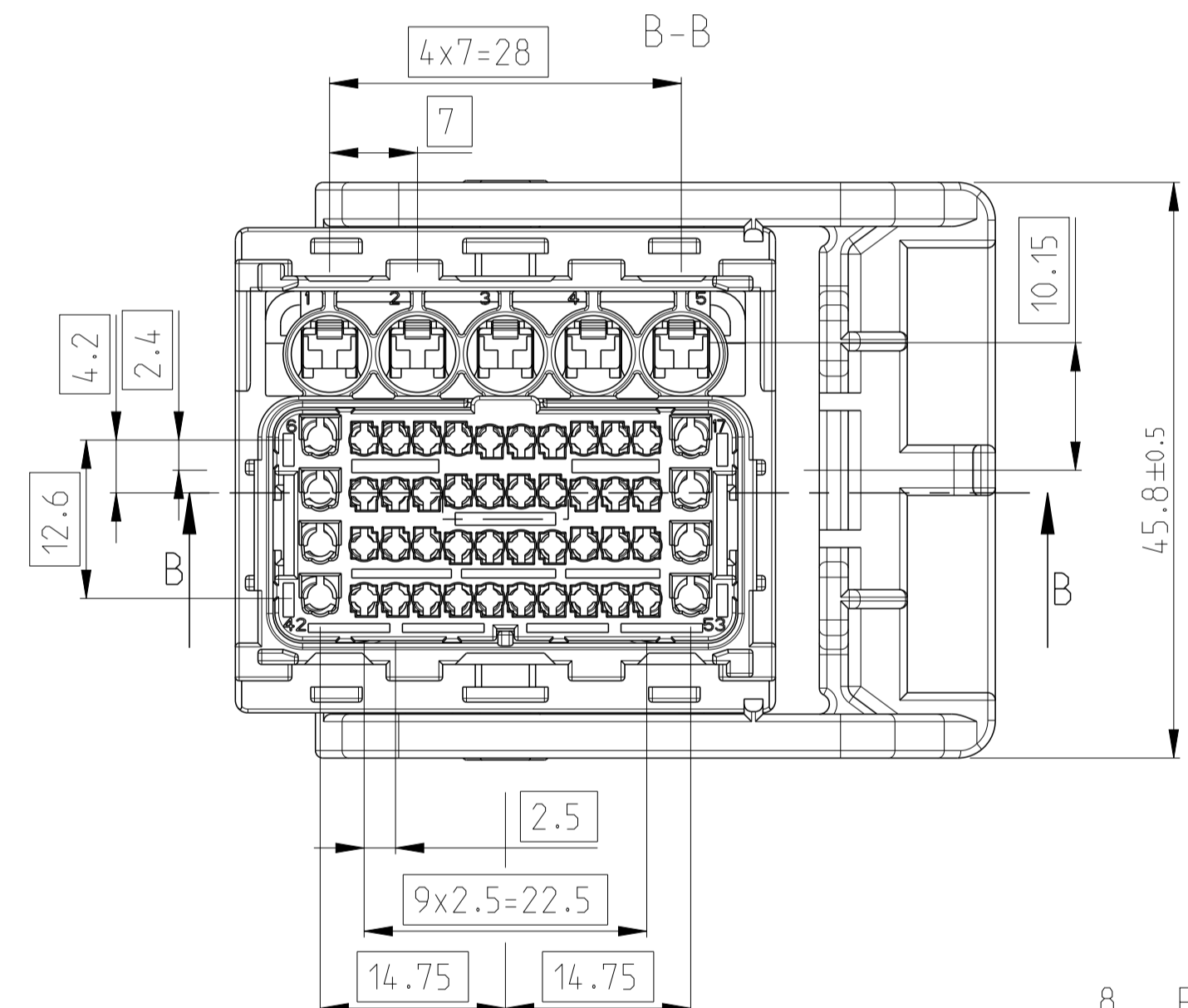
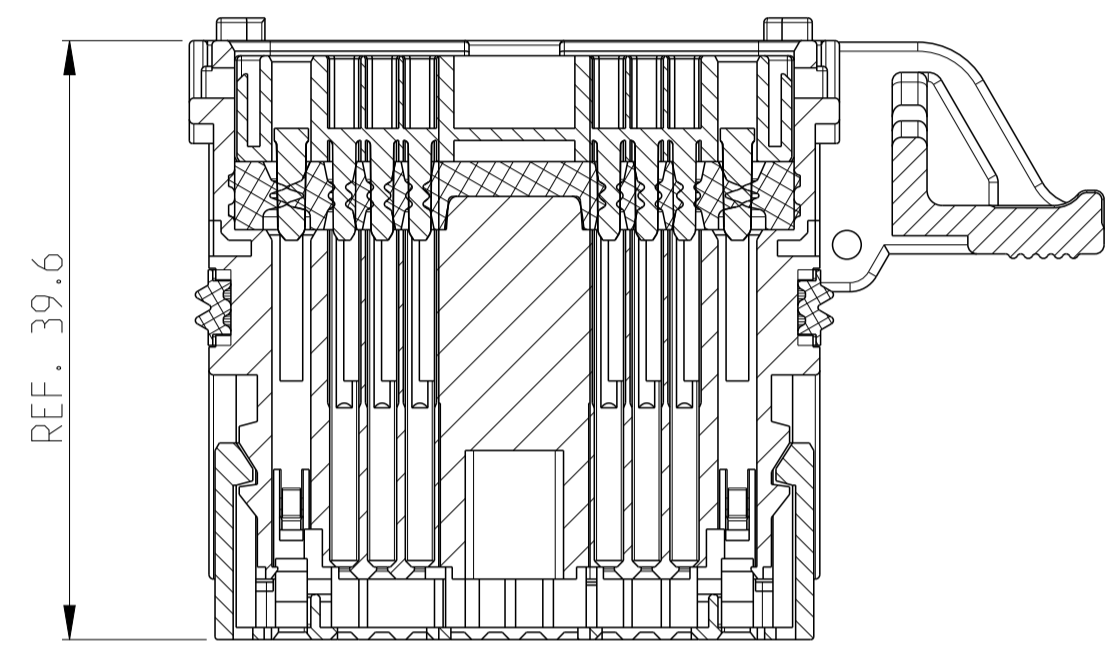
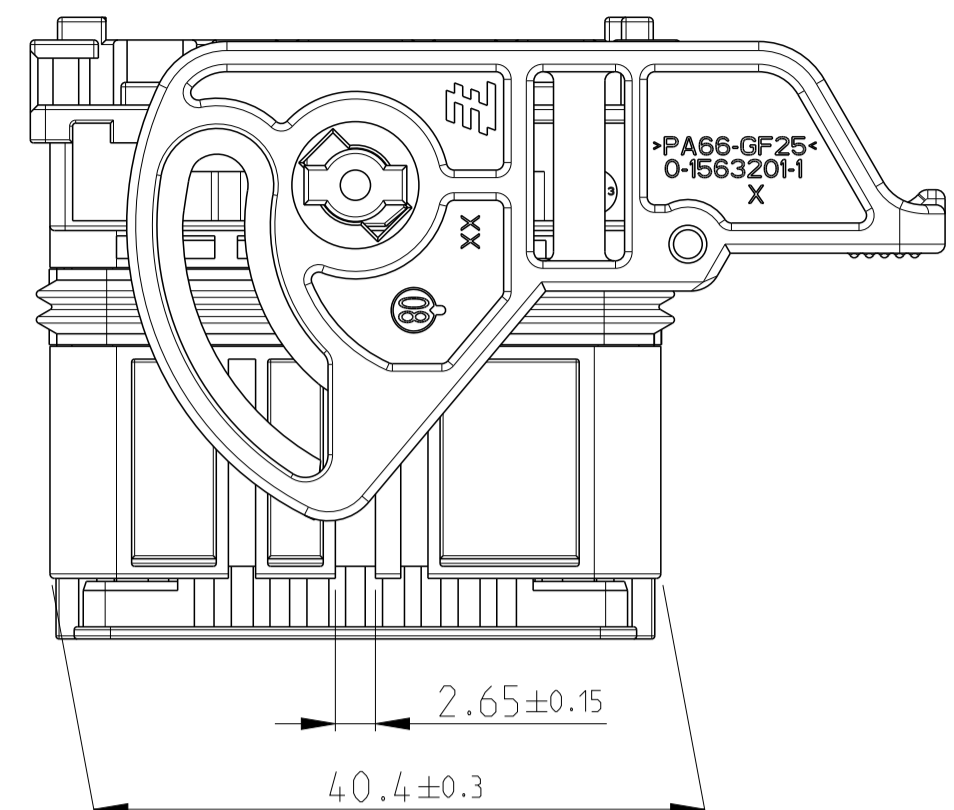


**CODING 1 BLACK**



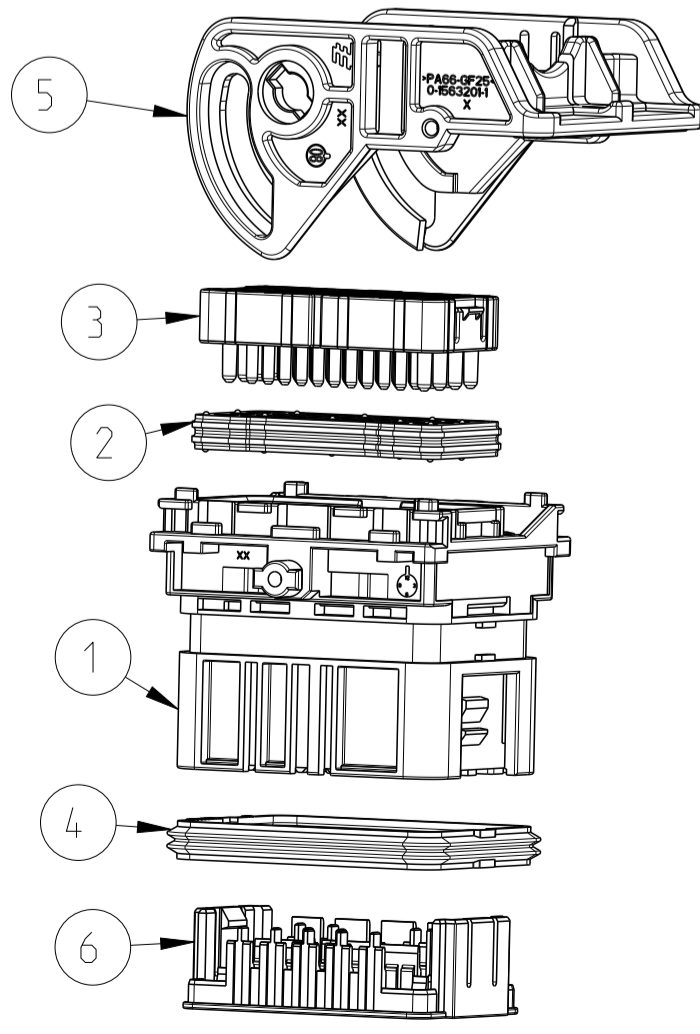
VIEW WITH COVER, LEVER IN END-LOCK POSITION. THE COVER IS A SEPARATE SALES PART.  
Ansicht mit Kappe, Hebel in Endraststellung. Die Kappe ist ein separates Verkaufsteil.



- NOTES:  
Bemerkungen:
- PARTS MUST CONFORM TO USCAR 2, REV. 5  
Teile entsprechen USCAR 2, Rev. 5
  - CONNECTOR MATING / UNMATING FORCES MAX. 75N  
Steckkraft / Oeffnungskraft max. 75N
  - SEALING FUNCTION REQUIRES ONLY FOLLOWING WIRE SIZE DIAMETERS FOR THE TERMINALS:  
Zur Sicherstellung der Dichtigkeit duerfen folgende Drahtquerschnitte bei den Kontakten verwendet werden:  
MQS TERMINAL: 0.35mm<sup>2</sup> - 0.75mm<sup>2</sup> = OD Ø 1.2 - 1.9mm  
TE 1.5 TERMINAL: 0.5mm<sup>2</sup> - 1.5mm<sup>2</sup> = OD Ø 1.4 - 2.4mm

- MATED WITH:  
Passend zu:  
COVER 0-1563200-1/-2  
Kappe 0-1563200-1/-2
- SPACER IN PRE LOCK POSITION  
Spacer in vorraststellung
- MARKING WITH TE PN. SEE PINOUTCONFIGURATION TABLE  
Markierung fuer TE PN. siehe Pinoutkonfigurationstabelle
- A THREE DIGIT MARKING ACCORDING TABLE LOCATED ON SIDE OF THE FEMALE HOUSING SEE DRAWING 2141841  
Eine dreistellige Markierung gemaess der Tabelle auf der Seite des Kontaktgehaeuses siehe Zeichnung 2141841

8 PACKAGING WITH TRAY  
Verpackung mit Tray



1:1

APPLICABLE TERMINALS							
MQS CB	2141400-1	-	PRE-TIN	0.35 - 0.5	Ø1.20 - 1.60	TE PN: 2208568-1	
MQS CB	2141399-1	-	PRE-TIN	0.5 - 0.75	Ø1.40 - 1.90		
1.5	638652-2	6C1T-14474-DBA	PRE-TIN	0.5 - 1.00	Ø1.40 - 2.30	TE PN: 1670108-1	
1.5	638652-1	6C1T-14474-DAA	PRE-TIN	1.00 - 1.50	Ø1.90 - 2.40		
AMP 2.8	1326032-1	1F1T-14474-EA	PRE-TIN	0.35		978G-10C930-EA	
AMP 2.8	1326032-2	1F1T-14474-FA	PRE-TIN	0.5		978G-10C930-FA	
AMP 2.8	1326032-3	1F1T-14474-GA	PRE-TIN	0.75 - 1.00		978G-10C930-GA	
AMP 2.8	1326032-5	1F1T-14474-JA	PRE-TIN	1.5 - 2.5			
TERMINALS SIZE Kontaktabmessung	TERMINALS TE PN TE Kontakt PN	FORD COMP. PART NO.	FINISH Oberflaeche	WIRE SIZE (mm <sup>2</sup> ) Drahtquerschnitt (mm <sup>2</sup> )	WIRE SIZE DIAMETER Kabeldurchmesser	WIRE SEAL Ford PN.	BLIND PLUG

**CODING 1 BLACK  
LEVER LEFT  
CABLE EXIT RIGHT  
PN 2141841 / 2236029**

**CODING 1 BLACK  
LEVER RIGHT  
CABLE EXIT LEFT  
PN 2141840 / 2208775**

**CODING 3 BROWN  
LEVER LEFT  
CABLE EXIT RIGHT  
PN 2141843 / 2236030**

**CODING 3 BROWN  
LEVER RIGHT  
CABLE EXIT LEFT  
PN 2141842 / 2208782**

**PIN-OUT CONFIGURATION  
SEE DRAWING 2141841**

LOC	DIST	REV	DESCRIPTION	DATE	OWN	APVD
A1	-	A	NEW DRAWING	17APR2012	MK	GM
		A1	ECR-13-001736	29JAN2013	MK	KR
		A2	ECR-13-006943	25APR2013	SH	KR

QTY	LOC	DIST	REV	DESCRIPTION	PART NUMBER OF EACH ASSY	COLOR	ITEM NO.
1x				PBT-GF30 53POS.CONNECTOR SPACER		RED	6
1x				PA66-GF25 53POS.CONNECTOR LEVER LEFT		BLACK	5
				PA66-GF25 53POS.CONNECTOR LEVER RIGHT		BLACK	5
1x				MVQ 53POS.CONNECTOR PERIPHERAL SEAL		ORANGE	4
1x				PBT-GF20 53POS.CONNECTOR COVER FOR FAMILY SEAL		BLACK	3
1x				MVQ 53POS.CONNECTOR FAMILY SEAL		LIGHT BLUE	2
1x				PA66-GF35 53POS.CONNECTOR FEMALE HOUSING CODING 3		BROWN	1
				PA66-GF35 53POS.CONNECTOR FEMALE HOUSING CODING 1		BLACK	1
				MATERIAL		COLOUR	ITEM NO.
PART NUMBER OF EACH ASSY							
CODING LEVER POSITION							
REVISION OF EACH ASSY							
PARTS LIST							

THIS DRAWING IS A CONTROLLED DOCUMENT. OWN: M. Kressmann, 17APR2012. CHK: K. ROTH, 17APR2012. APVD: G. Mumber, 03SEP2012.

**TE** TE Connectivity

53 POS. PCM MIXED REC. HSG.

SIZE: A1, CAGE CODE: 00779, DRAWING NO: 2141840, SCALE: 2:1, SHEET: 1 OF 1, REV: A2