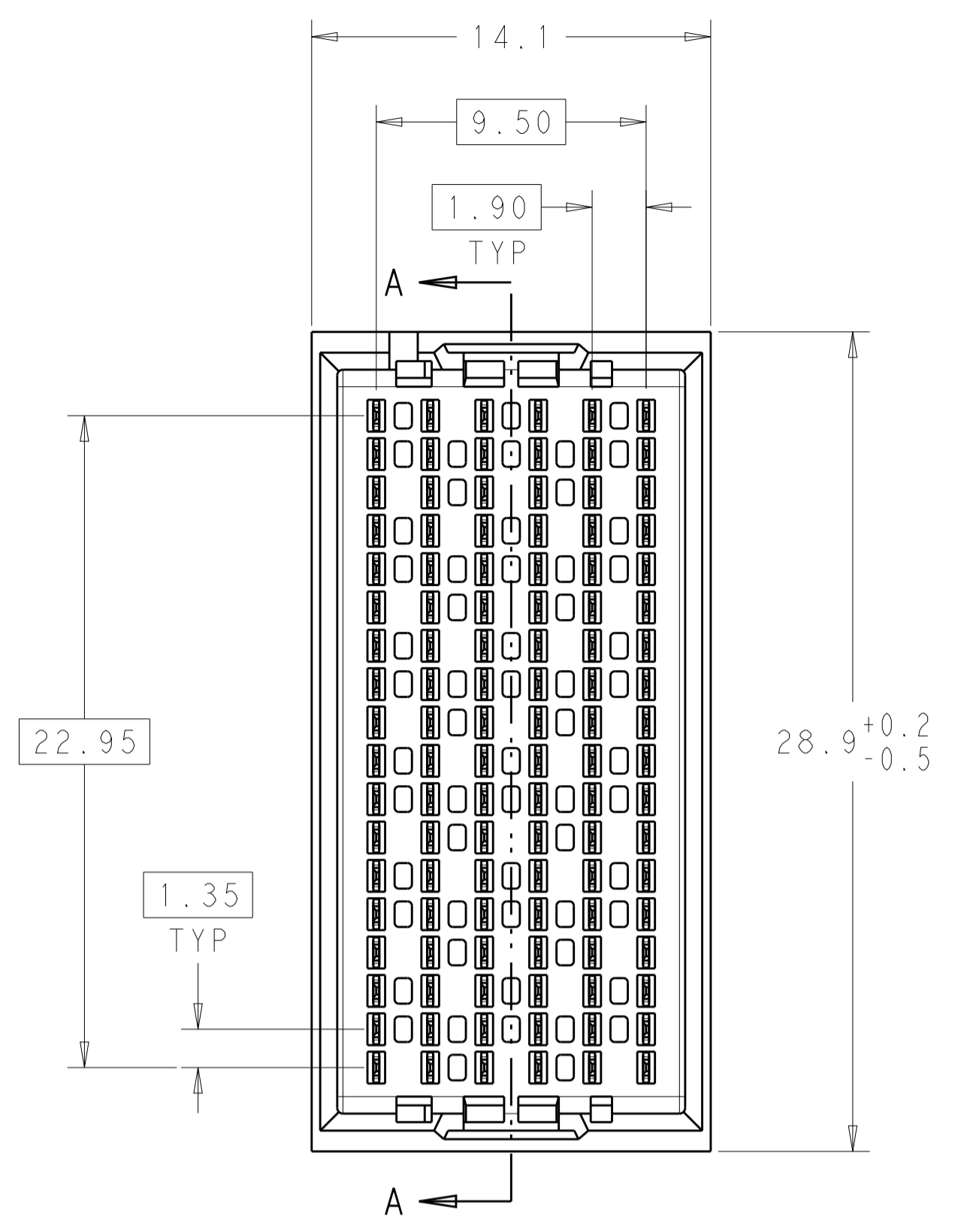
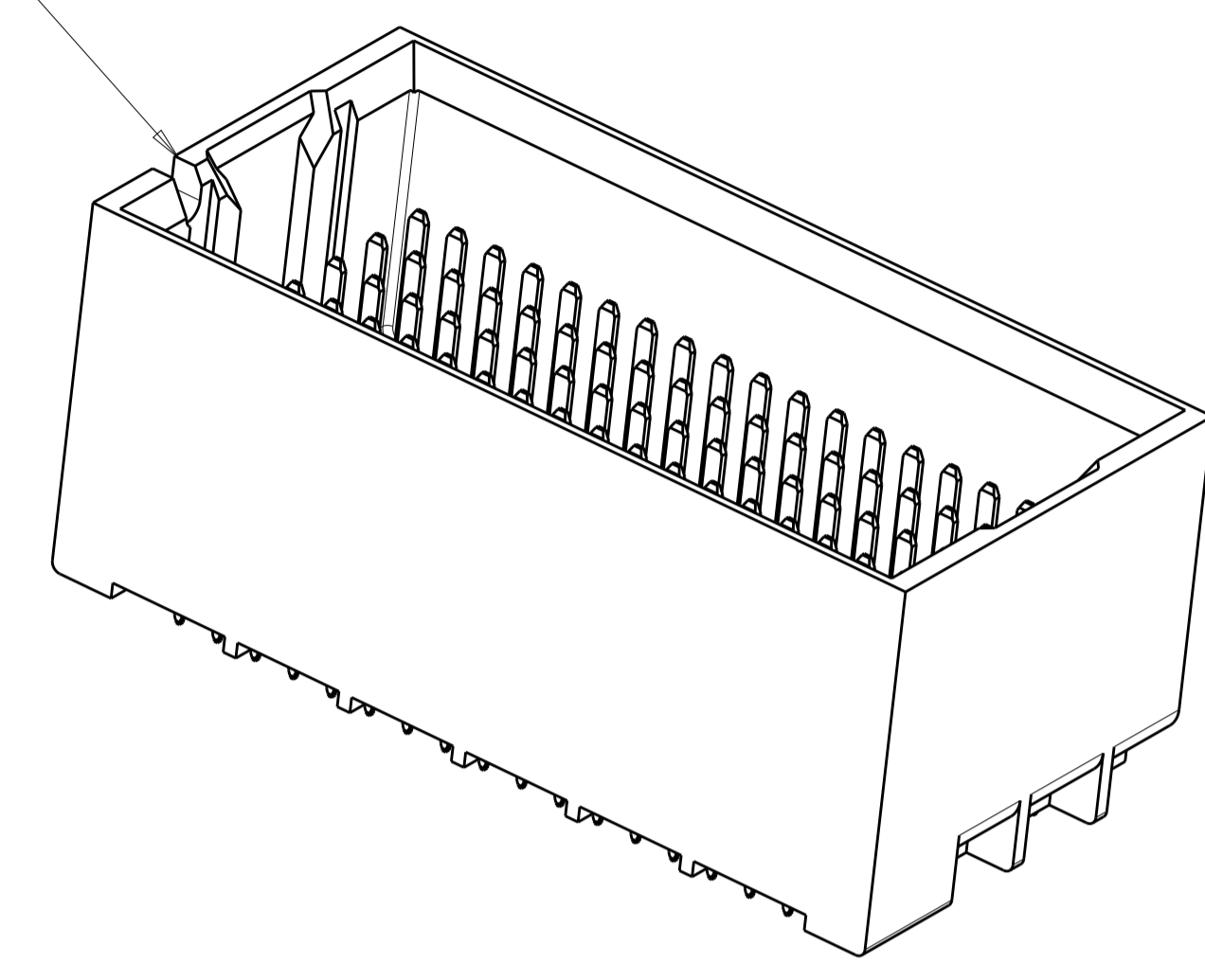


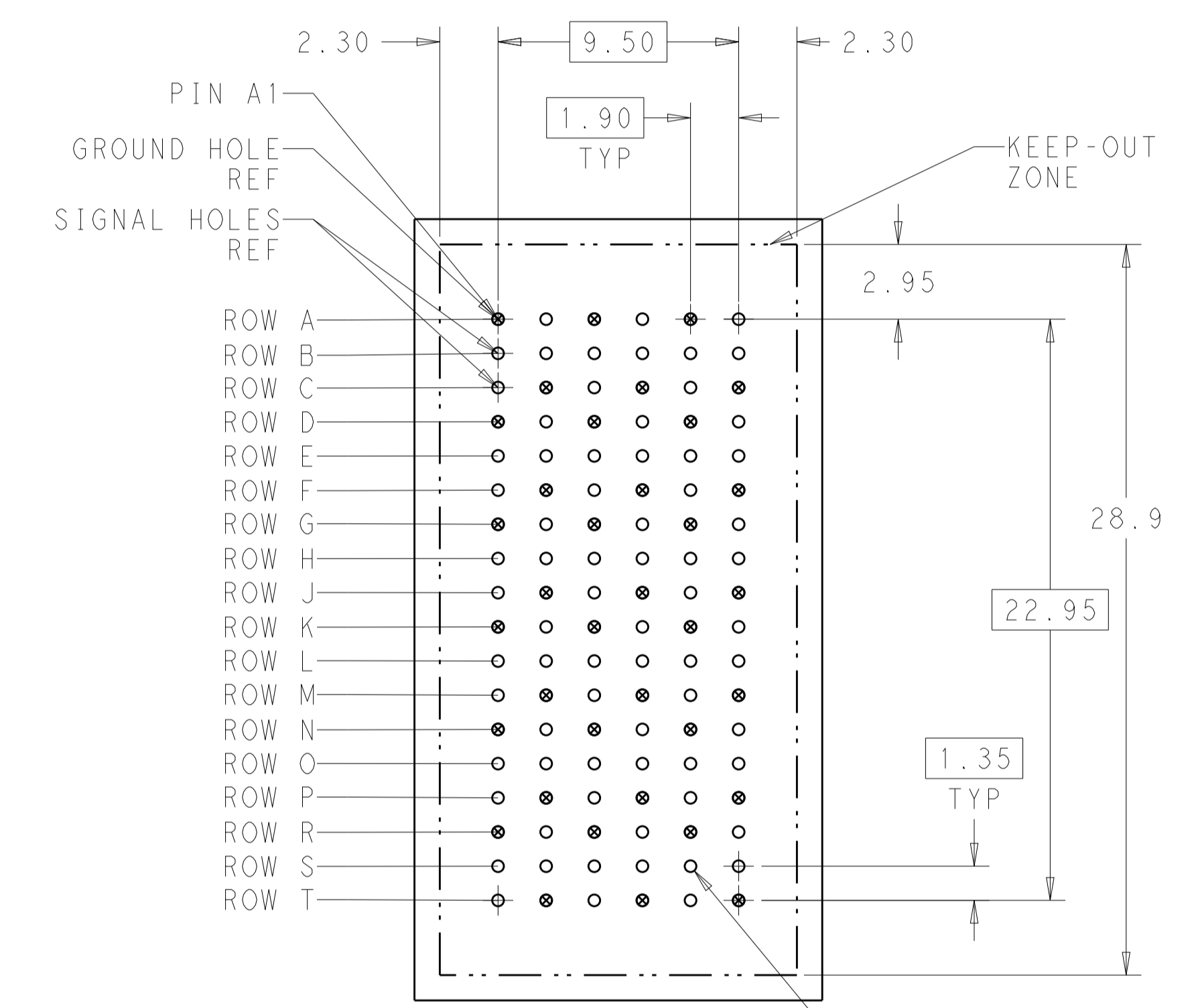
LOC		DIST		REVISIONS				
AD	00	P	LTH	DESCRIPTION	DATE	DWN	APVD	
		A		CREATED BY AUTOMATION PROGRAM	09JUN2011	RKC	JE	



NOTCH DESIGNATES ROW A

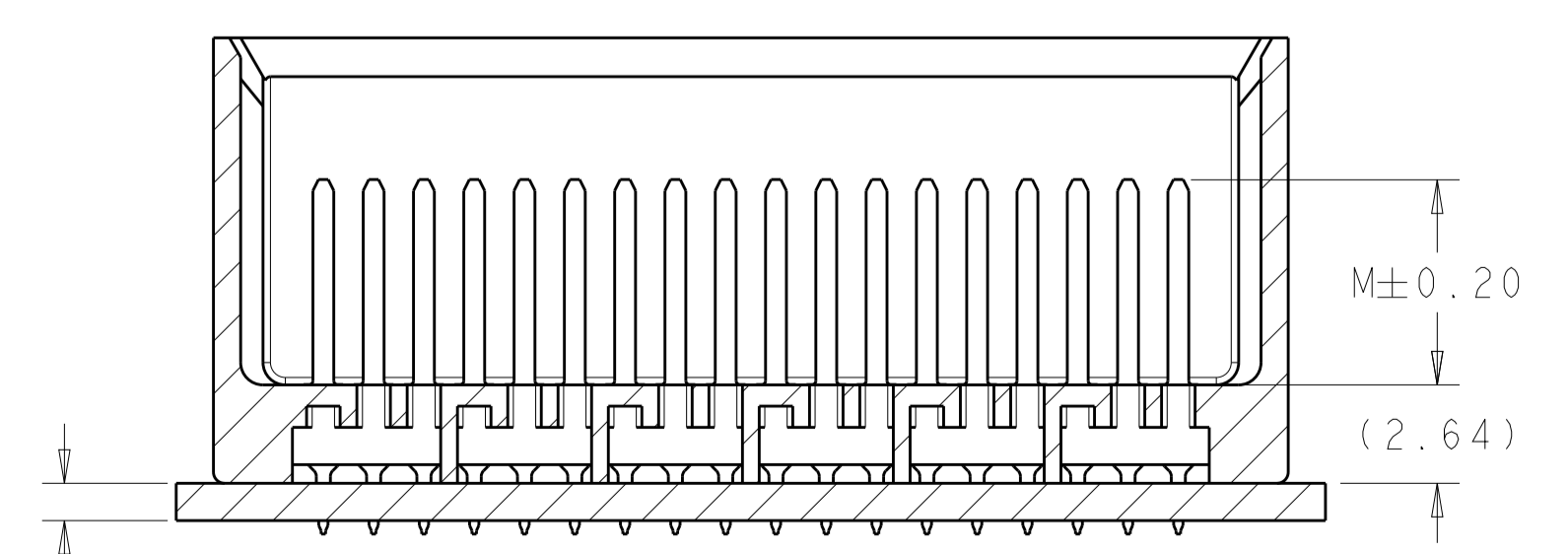
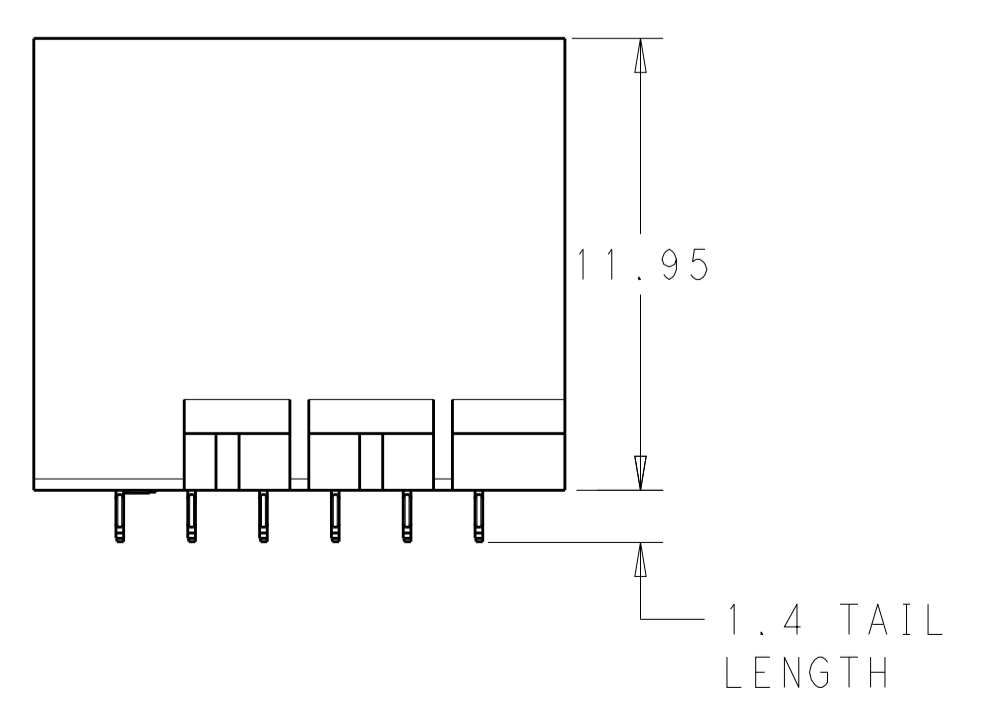


- 1 MATERIAL:
HOUSING: LCP, GLASS FILLED, UL94V-0.
TERMINALS: HIGH PERFORMANCE COPPER ALLOY.
- 2 FINISH:
30µ" MIN GOLD IN CONTACT AREA. SELECTIVE TIN ON PCB TAILS, NICKEL OVERALL.
- 3 FINISH:
30µ" MIN GOLD IN CONTACT AREA. SELECTIVE TIN-LEAD ON PCB TAILS, NICKEL OVERALL.



108X $\varnothing 0.46 \pm 0.05$ PLATED THRU HOLE
 108X $\varnothing 0.55 \pm 0.013$ DRILL HOLE
 $\varnothing \varnothing 0.10$

UNGUIDED BACKPLANE HOLE PATTERN (CONNECTOR SIDE)



1.00 MINIMUM BOARD THICKNESS

THIS DRAWING IS A CONTROLLED DOCUMENT.		DWN R. COELLO 07JUN2011	TE Connectivity
DIMENSIONS:		CHK J. EARY 07JUN2011	
mm		APVD J. EARY 07JUN2011	
0 PLC ± 1 PLC ±0.25 2 PLC ±0.13 3 PLC ± 4 PLC ± ANGLES ± FINISH SEE TABLE		NAME IMPACT, 6 PAIR, 6 COLUMN, HEADER PRODUCT SPEC UNGUIDED, DUAL END WALL APPLICATION SPEC SIGNAL MODULE, 0.46 PTH	
MATERIAL	FINISH	WEIGHT	SIZE CAGE CODE DRAWING NO. RESTRICTED TO A100779C=2143047 CUSTOMER DRAWING SCALE 5:1 SHEET 1 OF 2 REV A

THIS DRAWING IS UNPUBLISHED. RELEASED FOR PUBLICATION 20
 © COPYRIGHT 20 BY - ALL RIGHTS RESERVED.

LOC		DIST		REVISIONS			
AD	00	P	LTN	DESCRIPTION	DATE	DMN	APVD
-	-	-	-	SEE SHEET 1	-	-	-

FINISH	DIM M	PART NUMBER
	5.5	2143047-6
	4.9	2143047-5
	4.5	2143047-4
	5.5	2143047-3
	4.9	2143047-2
	4.5	2143047-1

REFER TO WWW.TE.COM
FOR PRODUCT AVAILABILITY

THIS DRAWING IS A CONTROLLED DOCUMENT.		DMN R. COELLO 07JUN2011	
DIMENSIONS: mm		CHK J. EARY 07JUN2011	
		APVD J. EARY 07JUN2011	
TOLERANCES UNLESS OTHERWISE SPECIFIED: 0 PLC ± 1 PLC ±0.25 2 PLC ±0.13 3 PLC ± 4 PLC ± ANGLES ±		NAME IMPACT, 6 PAIR, 6 COLUMN, HEADER UNGUIDED, DUAL END WALL SIGNAL MODULE, 0.46 PTH	RESTRICTED TO
MATERIAL -		SIZE A100779	DRAWING NO C=2143047
FINISH SEE TABLE		WEIGHT -	SCALE 5:1 SHEET 2 OF 2 REV A
CUSTOMER DRAWING			