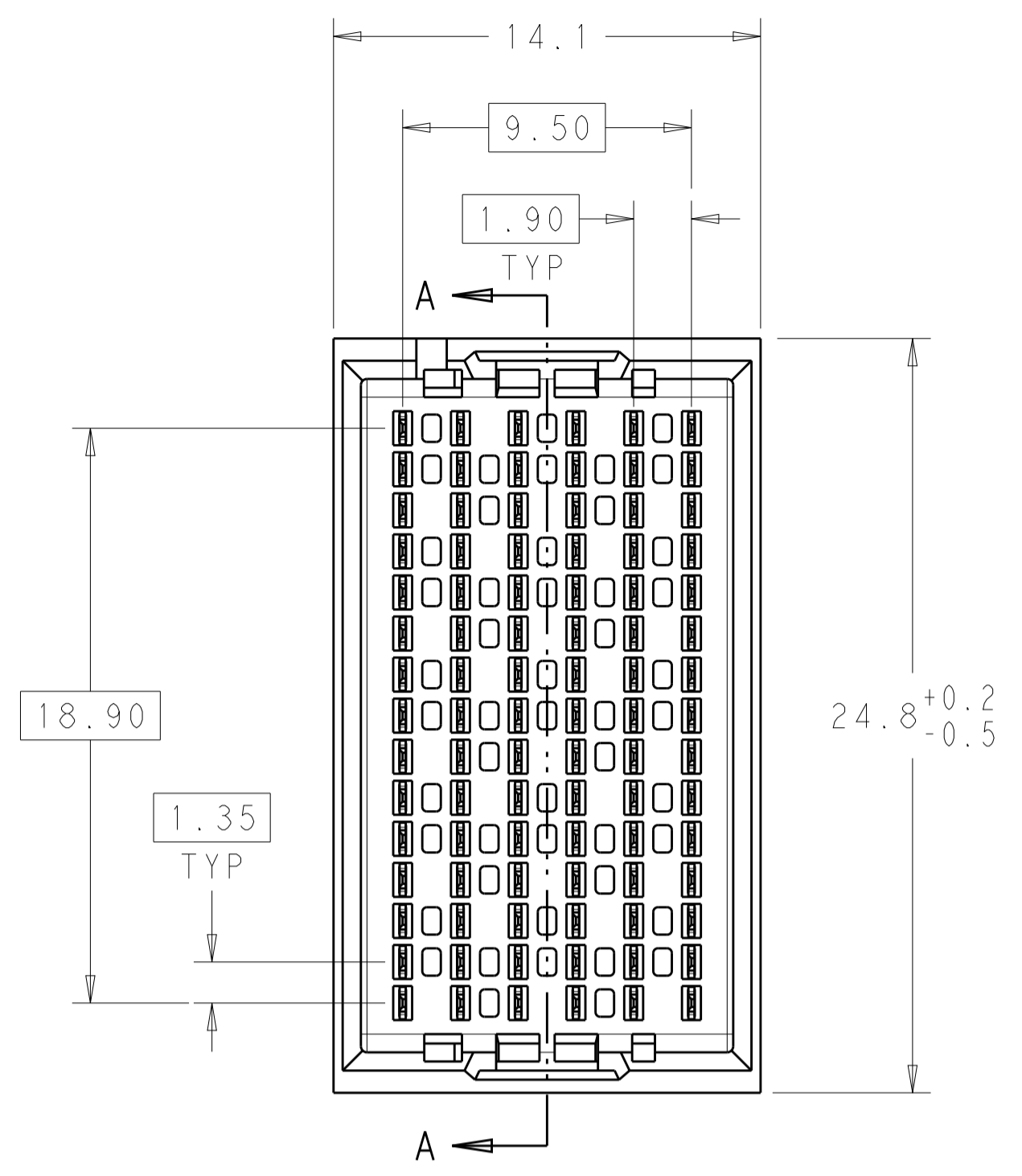
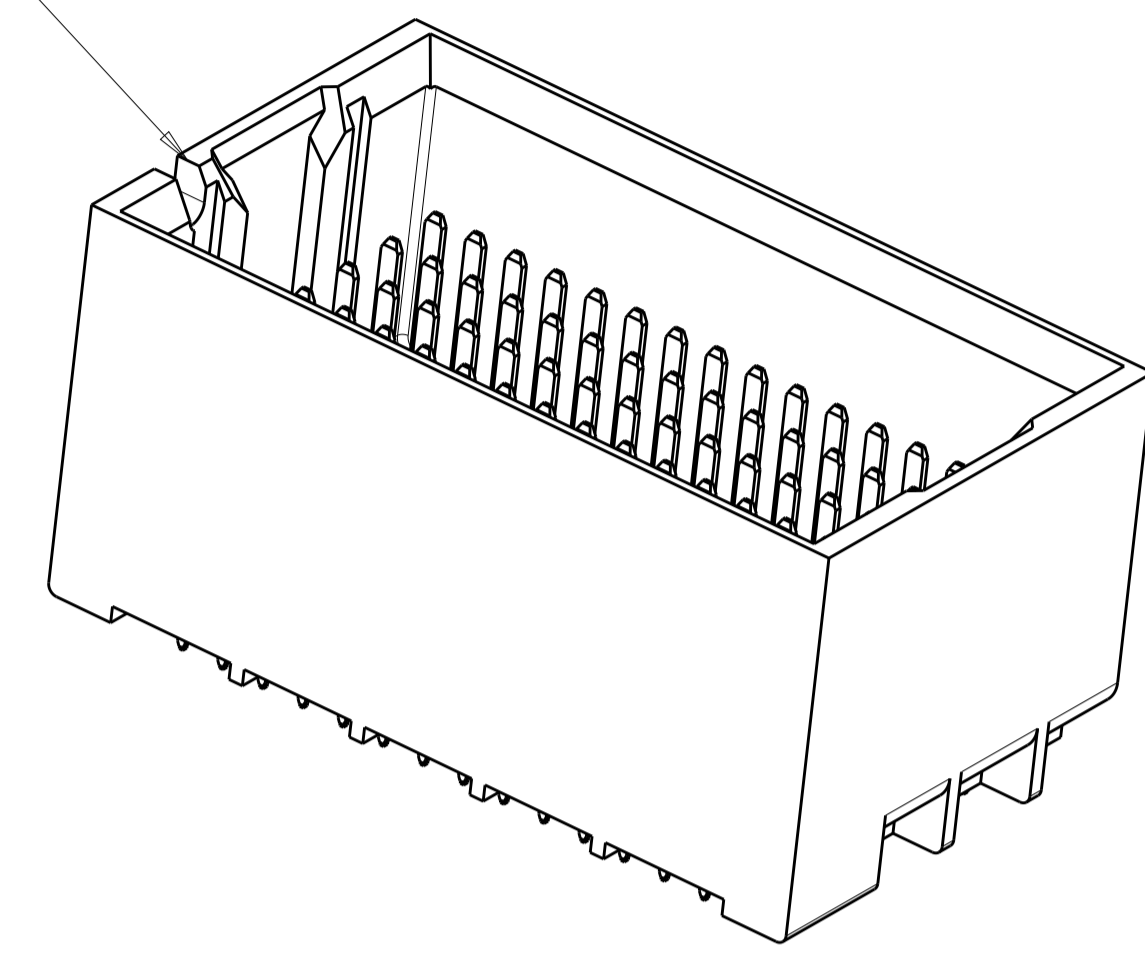


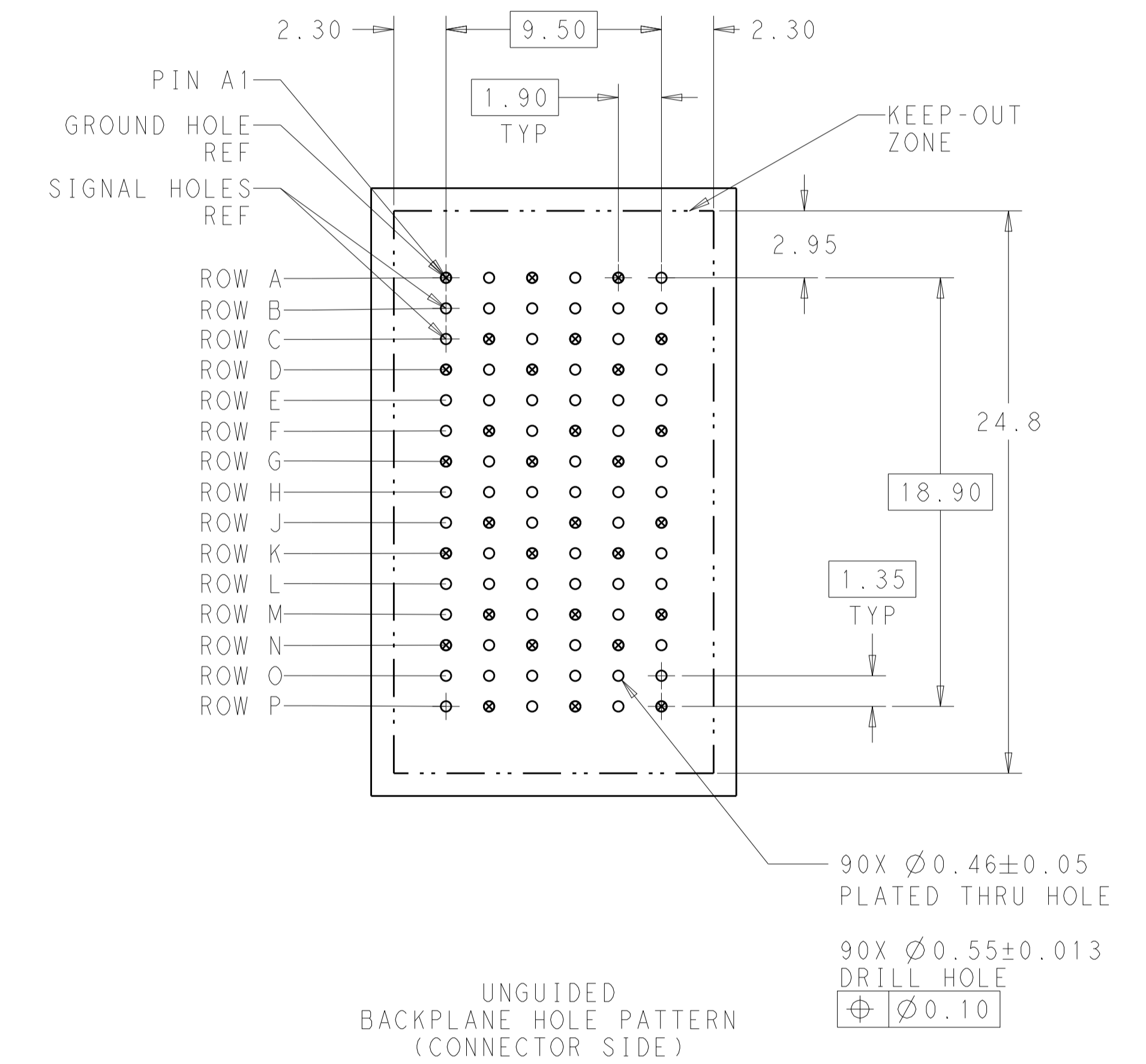
LOC		DIST		REVISIONS			
LOC	DIST	REV	DATE	DESCRIPTION	DATE	DWN	APVD
AD	00	A	03JUN2011	CREATED BY AUTOMATION PROGRAM		RKC	JE



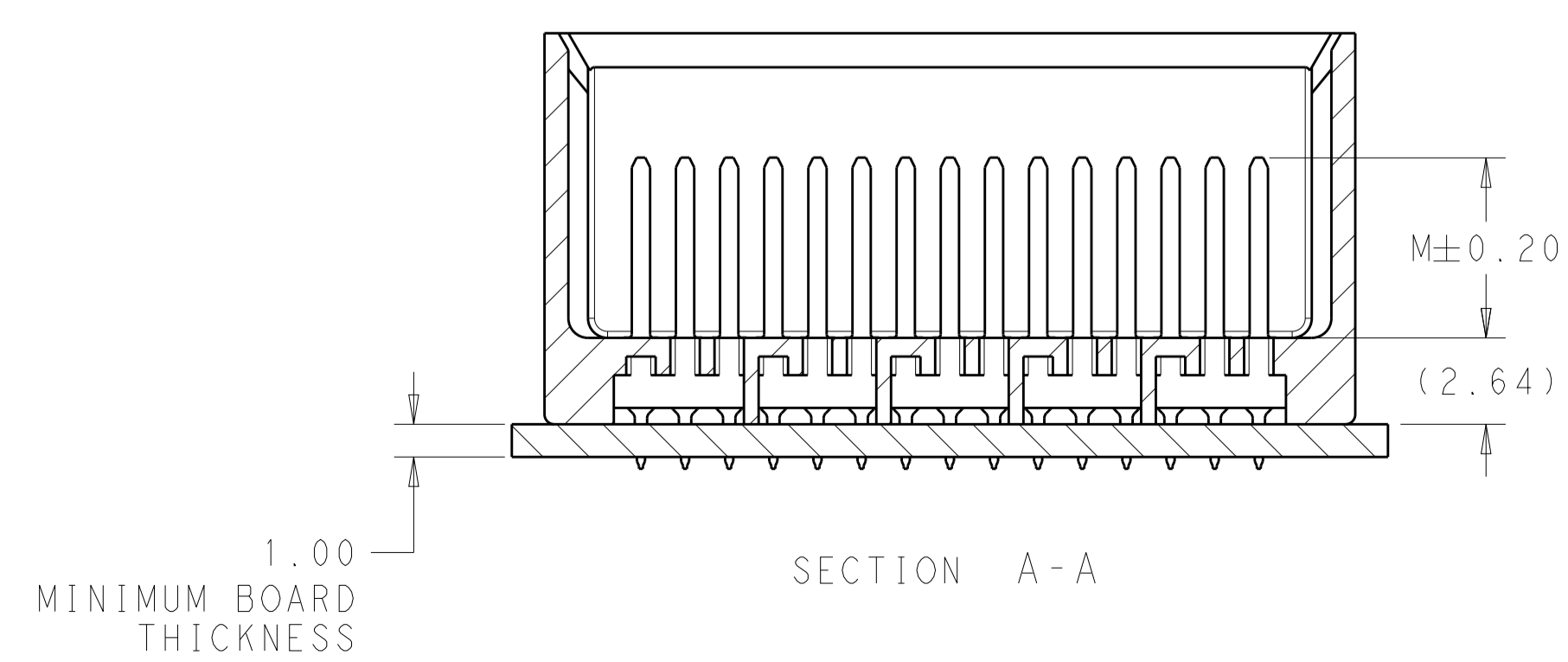
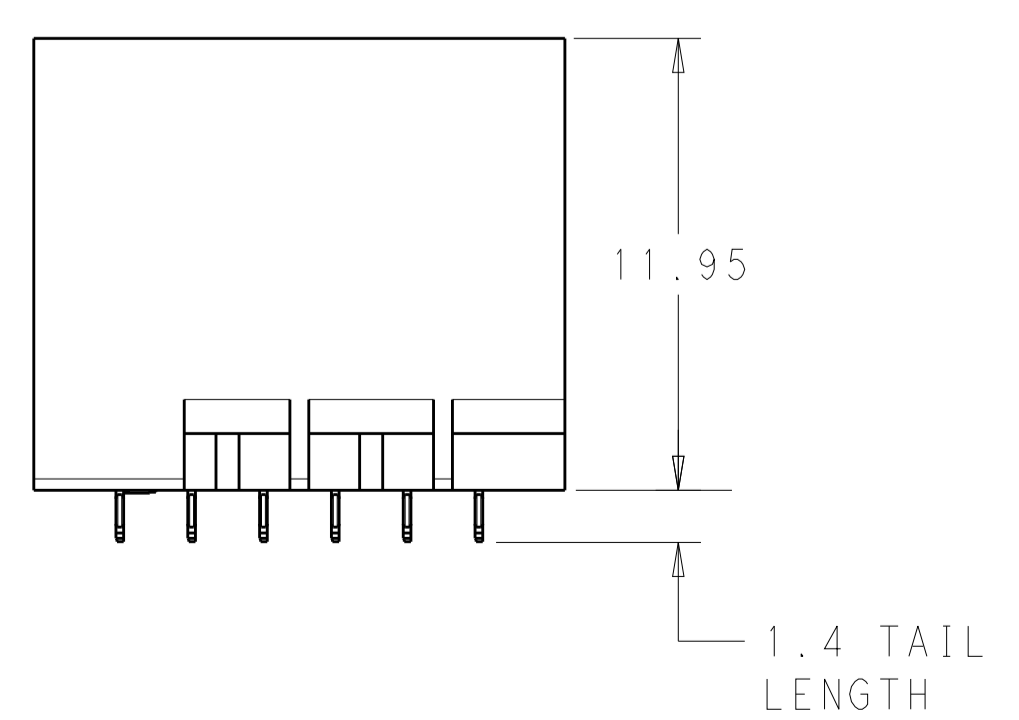
NOTCH DESIGNATES ROW A



- 1 MATERIAL:  
HOUSING: LCP, GLASS FILLED, UL94V-0.  
TERMINALS: HIGH PERFORMANCE COPPER ALLOY.
- 2 FINISH:  
30µ" MIN GOLD IN CONTACT AREA. SELECTIVE TIN ON PCB TAILS, NICKEL OVERALL.
- 3 FINISH:  
30µ" MIN GOLD IN CONTACT AREA. SELECTIVE TIN-LEAD ON PCB TAILS, NICKEL OVERALL.



UNGUIDED BACKPLANE HOLE PATTERN (CONNECTOR SIDE)



THIS DRAWING IS A CONTROLLED DOCUMENT.		DWN R. COELLO 02JUN2011	TE Connectivity
DIMENSIONS: mm		CHK J. EARY 02JUN2011	
TOLERANCES UNLESS OTHERWISE SPECIFIED:		APVD J. EARY 02JUN2011	NAME IMPACT, 5 PAIR, 6 COLUMN, HEADER
0 PLC ±	1 PLC ±0.25	PRODUCT SPEC	UNGUIDED, DUAL END WALL
2 PLC ±0.13	3 PLC ±	APPLICATION SPEC	SIGNAL MODULE, 0.46 PTH
4 PLC ±	ANGLES ±	WEIGHT	SIZE CAGE CODE DRAWING NO. RESTRICTED TO
MATERIAL	FINISH SEE TABLE	CUSTOMER DRAWING	A100779C=2143143
SCALE 5:1		SHEET 1 OF 2 REV A	

THIS DRAWING IS UNPUBLISHED. RELEASED FOR PUBLICATION 20  
 © COPYRIGHT 20 BY - ALL RIGHTS RESERVED.

LOC		DIST		REVISIONS			
P	LTN	DESCRIPTION	DATE	DMN	APVD		
-	-	SEE SHEET 1	-	-	-		

FINISH	DIM M	PART NUMBER
	5.5	2143143-6
	4.9	2143143-5
	4.5	2143143-4
	5.5	2143143-3
	4.9	2143143-2
	4.5	2143143-1

REFER TO WWW.TE.COM  
FOR PRODUCT AVAILABILITY

THIS DRAWING IS A CONTROLLED DOCUMENT.		DMN R. COELLO 02JUN2011	
DIMENSIONS: mm		CHK J. EARY 02JUN2011	
		APVD J. EARY 02JUN2011	
TOLERANCES UNLESS OTHERWISE SPECIFIED: 0 PLC ± 1 PLC ±0.25 2 PLC ±0.13 3 PLC ± 4 PLC ± ANGLES ± FINISH SEE TABLE		PRODUCT SPEC APPLICATION SPEC WEIGHT CUSTOMER DRAWING	NAME IMPACT, 5 PAIR, 6 COLUMN, HEADER UNGUIDED, DUAL END WALL SIGNAL MODULE, 0.46 PTH SIZE CAGE CODE DRAWING NO A100779C=2143143 RESTRICTED TO
MATERIAL		SCALE 5:1	SHEET 2 OF 2
		REV A	